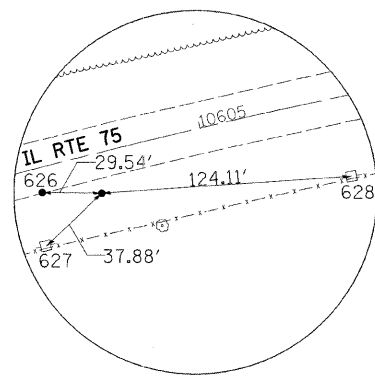
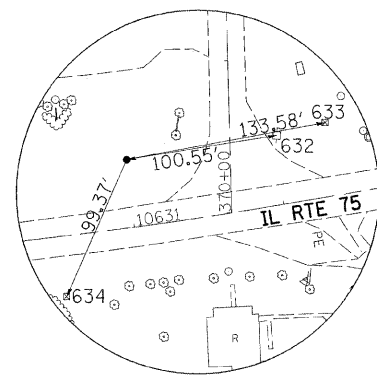


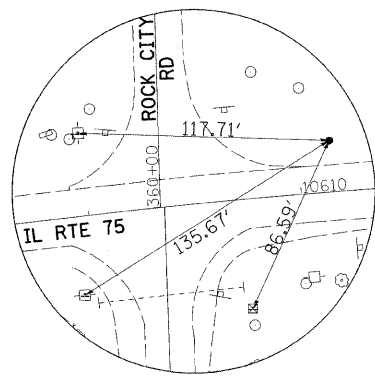
F.A.P. RTE.	SECTION	COUNTY	TOTAL SHEETS	SHEET NO.
505	111RS-4, 111BR-1, Yg-15d-RS-1, & (W-15d)T-1	STEPHENSON & WINNEBAGO	335	48
STA.		TO STA.		
FED. ROAD DIST. NO. 2 ILLINOIS FED. AID PROJECT				
CONTRACT NO. 64970				



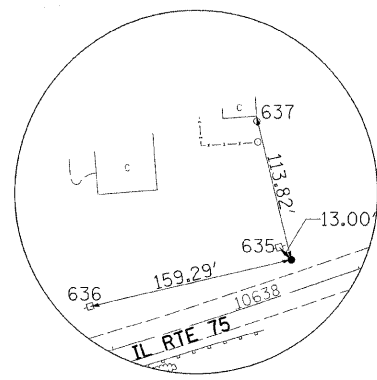
HORIZONTAL CONTROL POINT NO. 90090



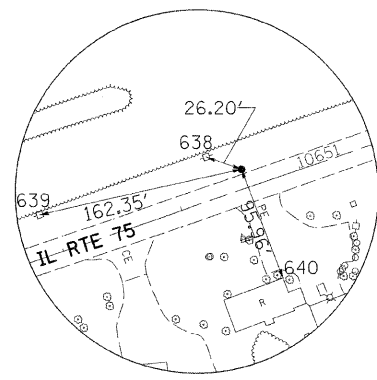
HORIZONTAL CONTROL POINT NO. 90094



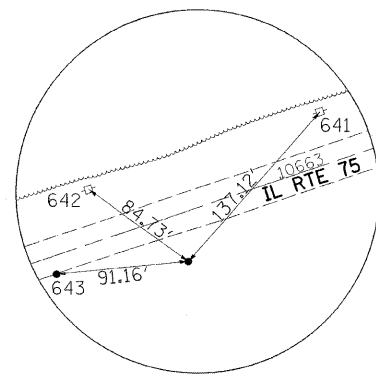
HORIZONTAL CONTROL POINT NO. 91037



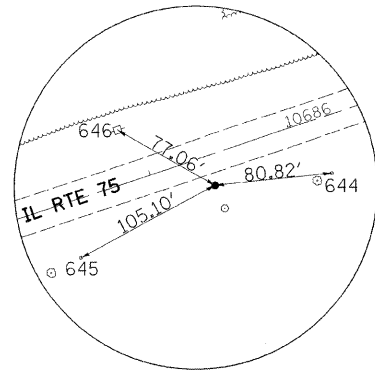
HORIZONTAL CONTROL POINT NO. 91038



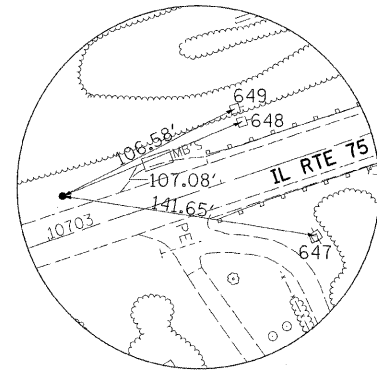
HORIZONTAL CONTROL POINT NO. 91039



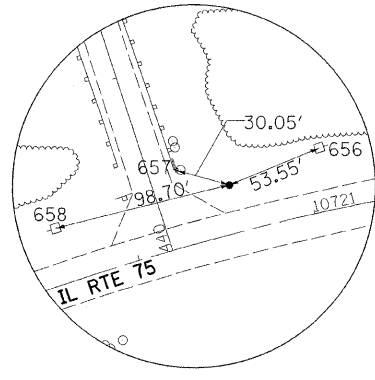
HORIZONTAL CONTROL POINT NO. 91040



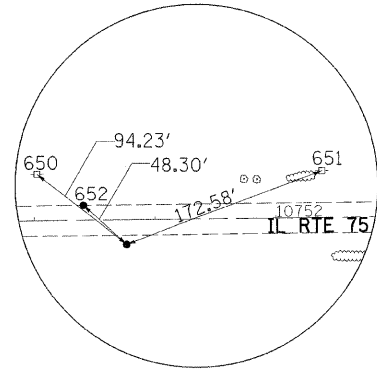
HORIZONTAL CONTROL POINT NO. 91041



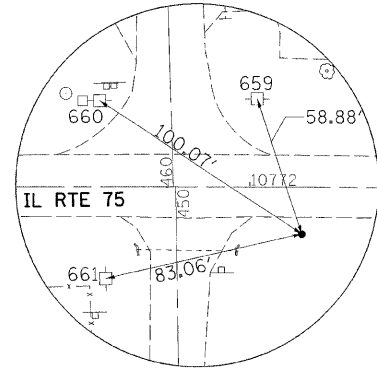
HORIZONTAL CONTROL POINT NO. 91042



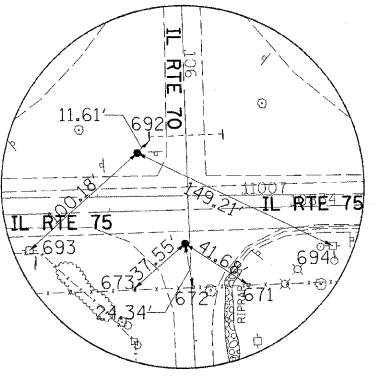
HORIZONTAL CONTROL POINT NO. 91043



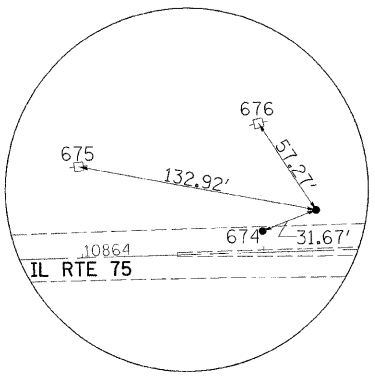
HORIZONTAL CONTROL POINT NO. 91044



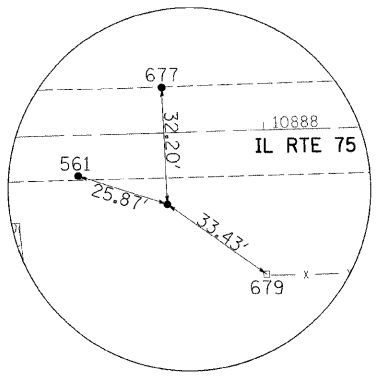
HORIZONTAL CONTROL POINT NO. 91045



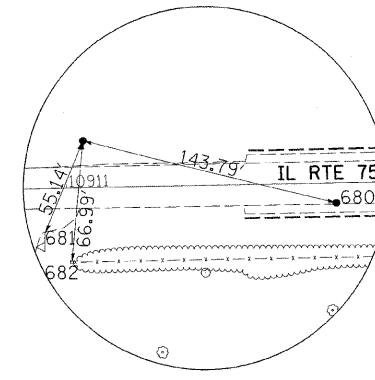
HORIZONTAL CONTROL POINT NO. 91046



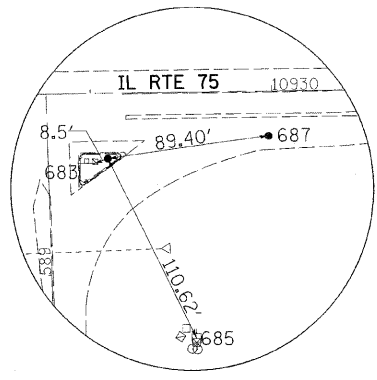
HORIZONTAL CONTROL POINT NO. 91047



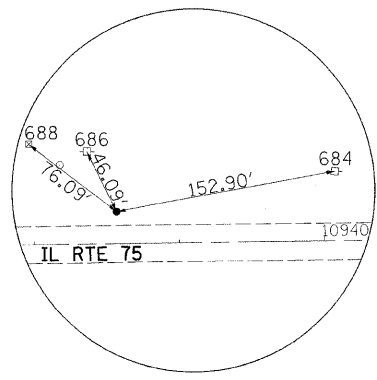
HORIZONTAL CONTROL POINT NO. 91048



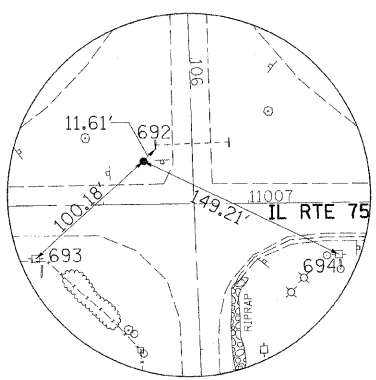
HORIZONTAL CONTROL POINT NO. 91049



HORIZONTAL CONTROL POINT NO. 91050



HORIZONTAL CONTROL POINT NO. 91051



HORIZONTAL CONTROL POINT NO. 900143

PLOT DATE = 3/3/2009
FILE NAME = M:\111958000\11_75_3p_esset\cadd\design\11958001\HIC05.dgn
PLOT SCALE = 1:2500
PLOT NAME = J. Pracey
MODEL = 06/04/11

REVISIONS	
NAME	DATE

ILLINOIS DEPARTMENT OF TRANSPORTATION
F.A.P. ROUTE 505 (IL 75)
ILLINOIS ROUTE 75
HORIZONTAL & VERTICAL
CONTROL SHEETS

SCALE: VERT. DRAWN BY MTH
HORIZ. CHECKED BY SPF
DATE: 3/3/09