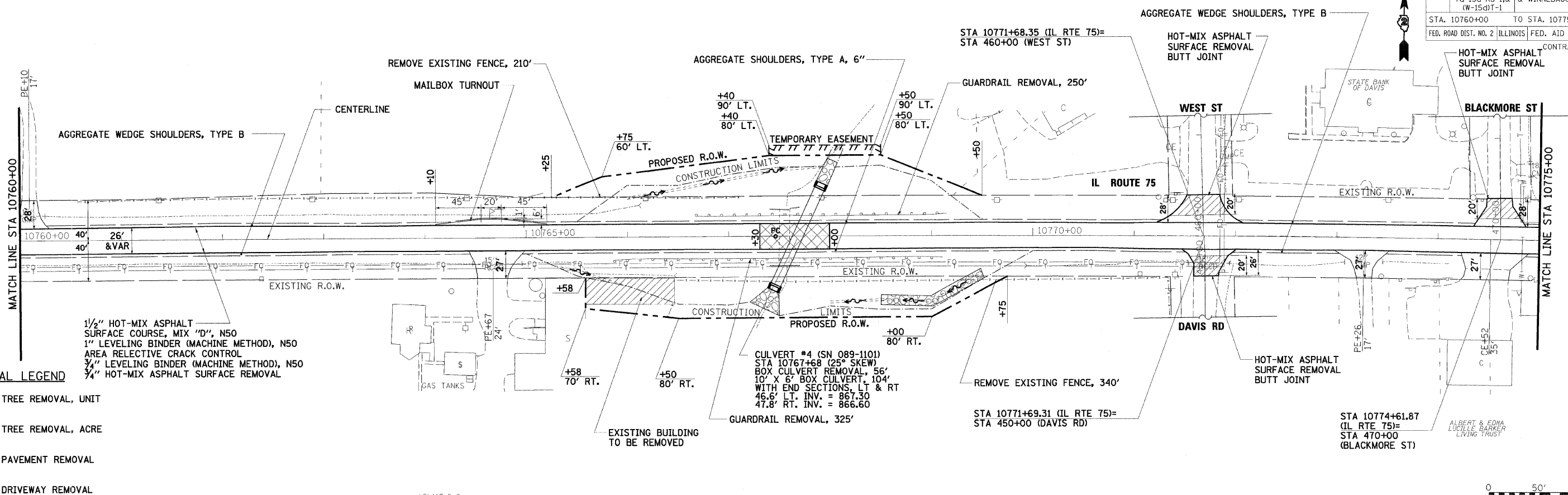


SHIRLEY CROSIER

VILLAGE OF DAVIS

BERTHA LOHMEIER

F.A.P. RTE.	SECTION	COUNTY	TOTAL SHEETS	SHEET NO.
505	111RS-4, 111BR-1, Yq-15d-RS-1, & (W-15d)T-1	STEPHENSON & WINNEBAGO	335	62
STA. 10760+00		TO STA. 10775+00		
FED. ROAD DIST. NO. 2		ILLINOIS		FED. AID PROJECT
CONTRACT NO. 64970				

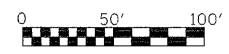


REMOVAL LEGEND

- TREE REMOVAL, UNIT
- TREE REMOVAL, ACRE
- PAVEMENT REMOVAL
- DRIVEWAY REMOVAL

1/2" HOT-MIX ASPHALT SURFACE COURSE, MIX "D", N50
 1" LEVELING BINDER (MACHINE METHOD), N50
 AREA RELECTIVE BINDER (MACHINE METHOD), N50
 3/4" LEVELING BINDER (MACHINE METHOD), N50
 3/4" HOT-MIX ASPHALT SURFACE REMOVAL

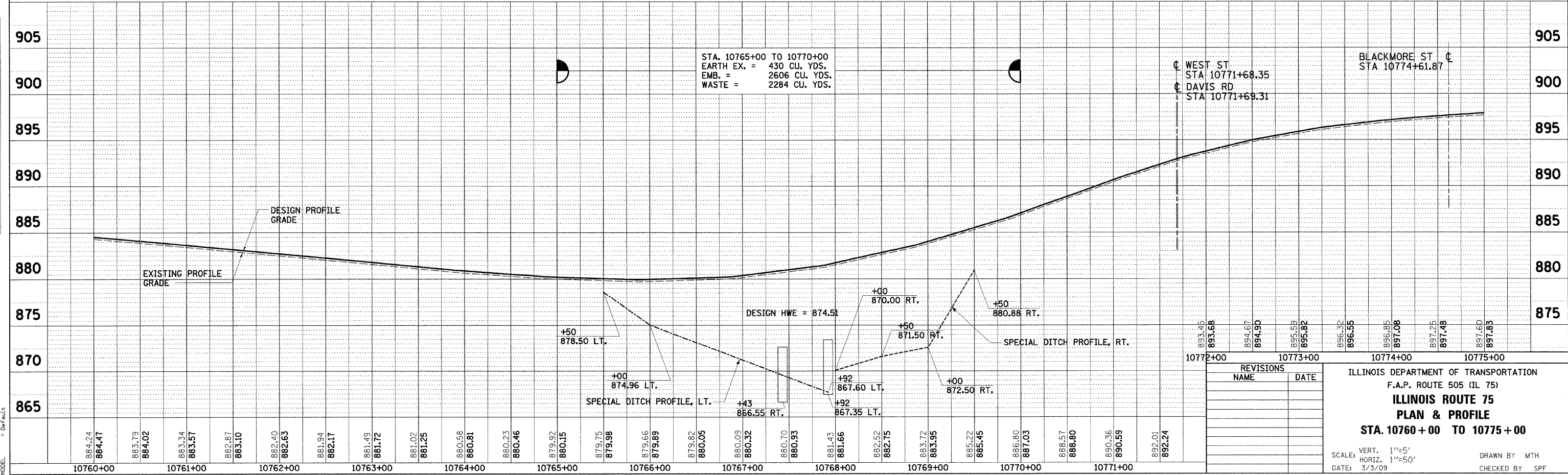
CULVERT #4 (SN 089-1101)
 STA 10767+68 (25° SKEW)
 BOX CULVERT REMOVAL, 56'
 10' X 6' BOX CULVERT, 104'
 WITH END SECTIONS, LT & RT
 46.6' LT. INV. = 867.30
 47.8' RT. INV. = 866.60



PLAN	SURVEYED	DATE
NO.	BY	
	CHECKED	
	DATE	

PROFILE	SURVEYED	DATE
NO.	BY	
	CHECKED	
	DATE	

PLOT DATE = 3/3/2009
 FILE NAME = k:\11195800\11_75_3p_east\east\design\195800.PLAN.dgn
 PLOT SCALE = 1/8"=1'-0"
 USER NAME = JTreney
 MODEL = default



STA. 10765+00 TO 10770+00
 EARTH EX. = 430 CU. YDS.
 EMB. = 2606 CU. YDS.
 WASTE = 2284 CU. YDS.

WEST ST
 STA 10771+68.35
 DAVIS RD
 STA 10771+69.31

BLACKMORE ST
 STA 10774+61.87

REVISIONS	
NAME	DATE

ILLINOIS DEPARTMENT OF TRANSPORTATION
 F.A.P. ROUTE 505 (IL 75)
ILLINOIS ROUTE 75
PLAN & PROFILE
STA. 10760+00 TO 10775+00

SCALE: VERT. 1"=5'
 HORIZ. 1"=50'
 DATE: 3/3/09
 DRAWN BY: MTH
 CHECKED BY: SPF