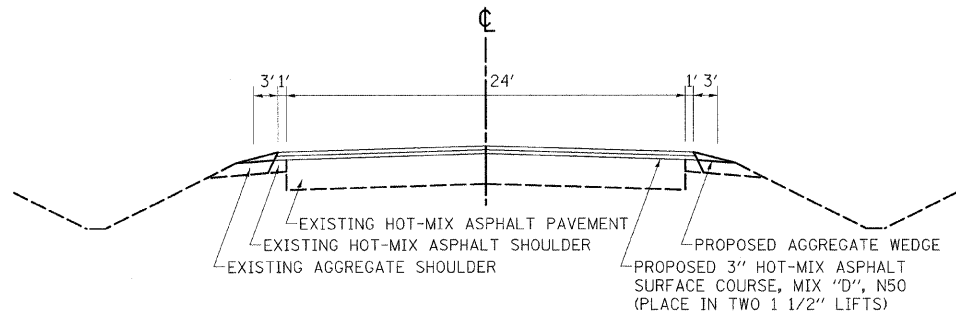


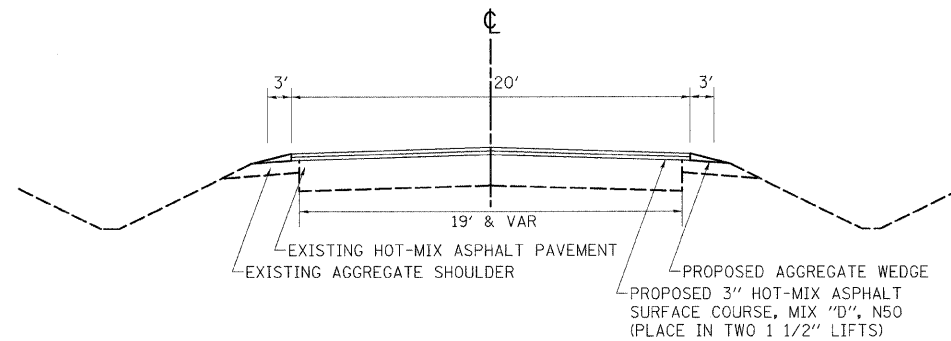
TYPICAL SECTIONS DETOUR ROUTE

F.A.P. RTE.	SECTION	COUNTY	TOTAL SHEETS	SHEET NO.
505	111RS-4, 111BR-1, Yc-15d-RS-1, & (W-15d)IT-1	STEPHENSON & WINNEBAGO	335	91
STA.		TO STA.		
FED. ROAD DIST. NO. 2 ILLINOIS FED. AID PROJECT				
CONTRACT NO. 64970				

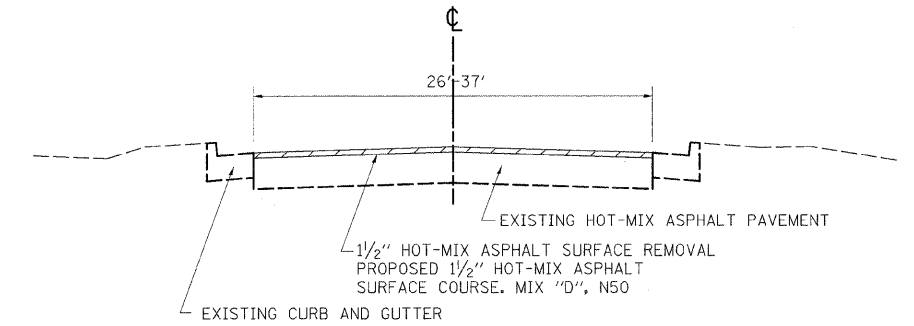
TRASK BRIDGE ROAD FROM IL 70 TO 1500' WEST OF IL 70



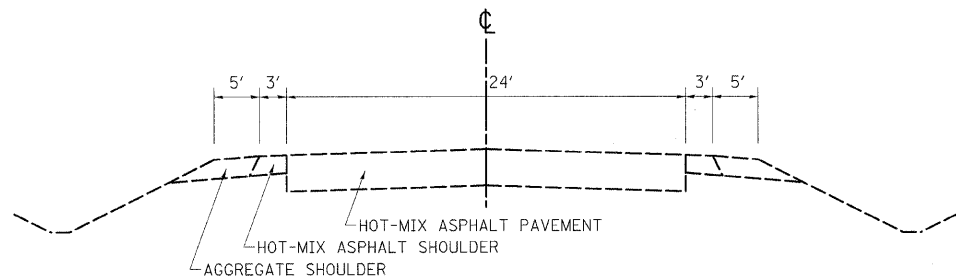
LEECH ROAD FROM IL 75 TO FRITZ ROAD



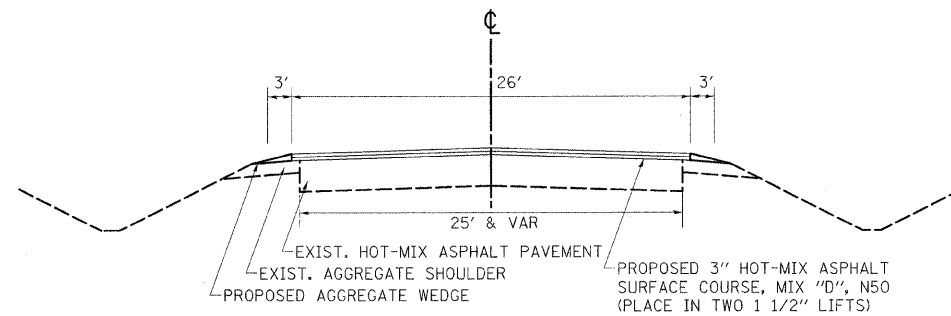
FRITZ RD FROM DURAND CITY LIMITS TO CENTER RD



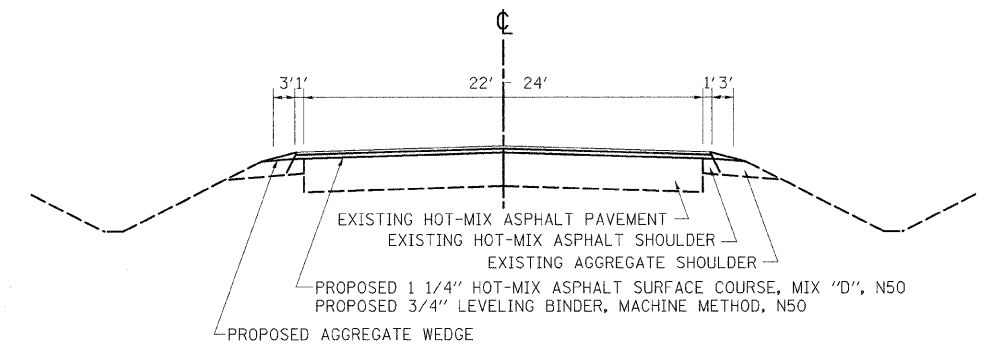
IL 70 FROM TRASK BRIDGE ROAD TO LEECH ROAD



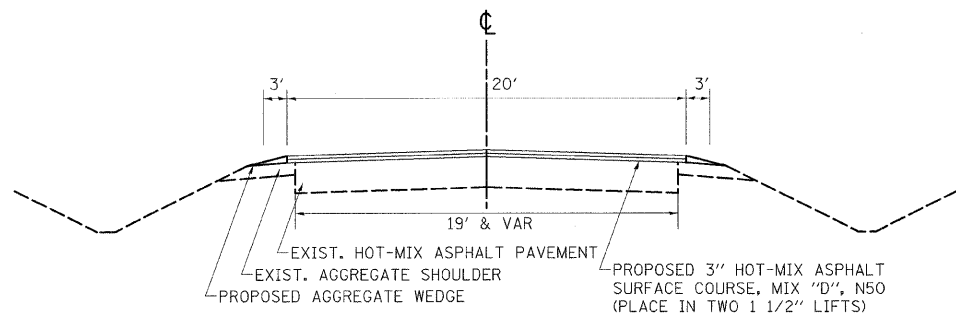
IL 75 AT LEECH ROAD



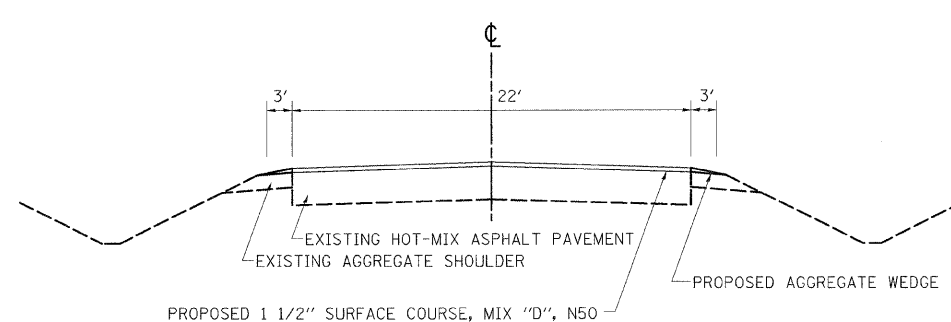
CEDARVILLE ROAD FROM IL 75 TO GEOKE ROAD



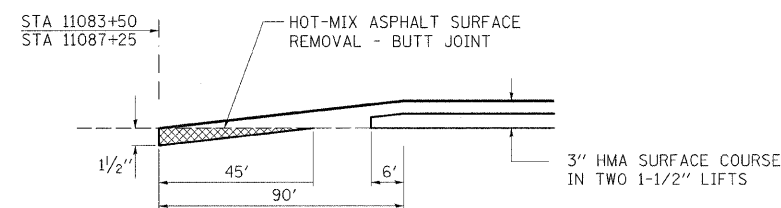
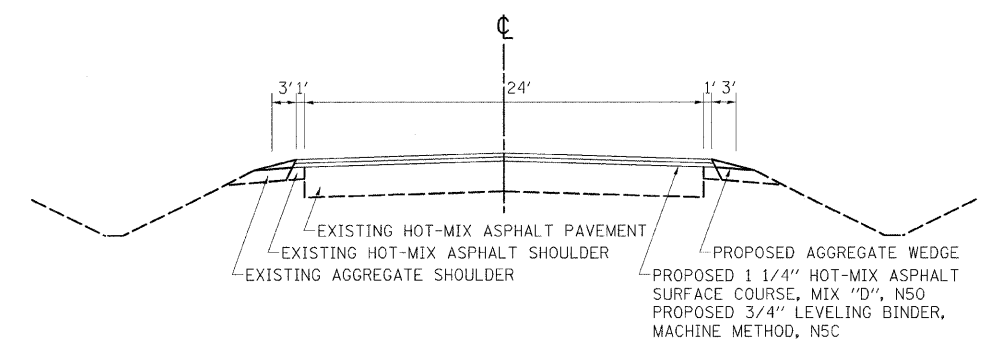
LEECH ROAD FROM IL 70 TO IL 75



FRITZ ROAD FROM LEECH ROAD TO DURAND



TRASK BRIDGE ROAD FROM GEOKE ROAD TO PECATONICA ROAD



BUTT JOINT DETAIL (IL 75 AT LEECH ROAD)

REVISIONS	
NAME	DATE

ILLINOIS DEPARTMENT OF TRANSPORTATION
F.A.P. ROUTE 505 (IL 75)

**ILLINOIS ROUTE 75
DETOUR TYPICAL SECTIONS**

SCALE: VERT. 1"=10'
HORIZ. 1"=40'
DATE: 3/3/09

DRAWN BY MTH
CHECKED BY SPF

PLOT DATE = 3/3/2009
FILE NAME = K:\11150800\11_75_3p_east\oad\design\19580L.Det_.Tjg.dgn
PLOT SCALE = 1/8"=1'-0"
PLOTTER NAME = J:\Pcsey
PLOTTER MODEL = 500