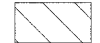


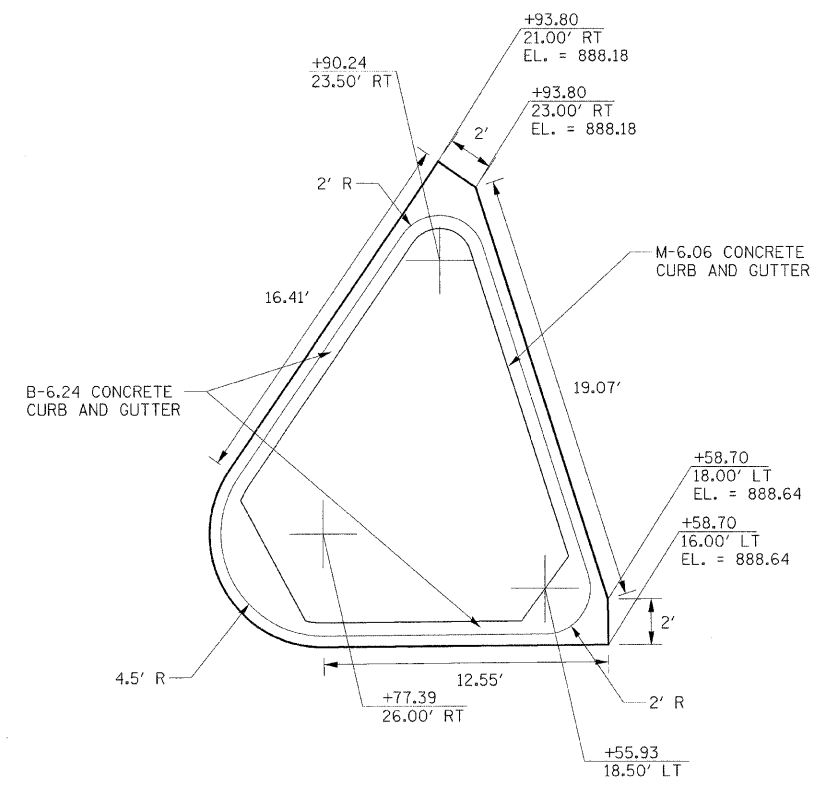


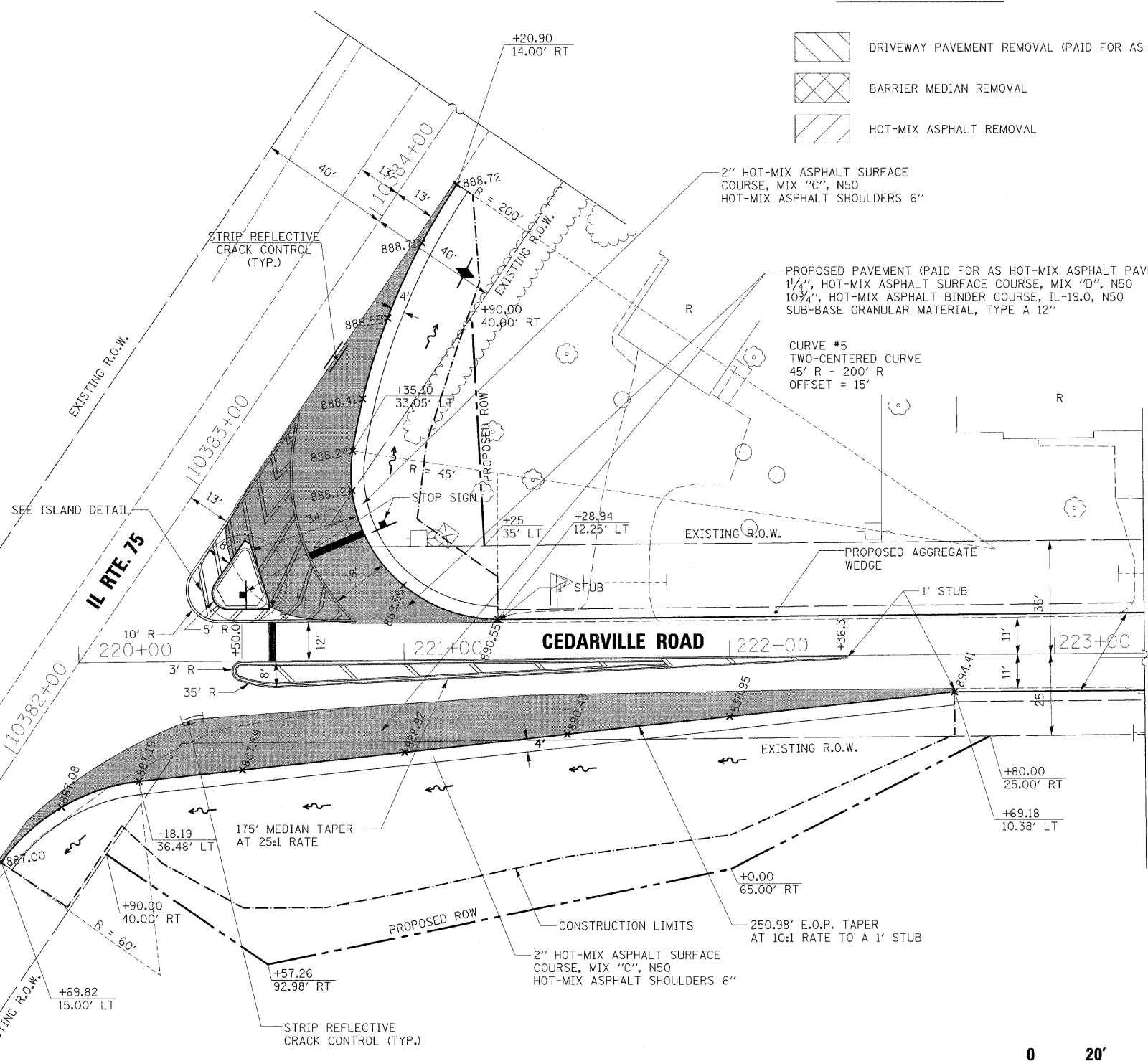
F.A.P. RTE.	SECTION	COUNTY	TOTAL SHEETS	SHEET NO.
505	111RS-4, 111BR-1, Yg-15d-RS-1, & (W-15d)T-1	STEPHENSON & WINNEBAGO	335	92
STA.		TO STA.		
FED. ROAD DIST. NO. 2 ILLINOIS FED. AID PROJECT				
CONTRACT NO. 64970				

REMOVAL LEGEND

-  DRIVEWAY PAVEMENT REMOVAL (PAID FOR AS EARTH EXCAVATION)
-  BARRIER MEDIAN REMOVAL
-  HOT-MIX ASPHALT REMOVAL



ISLAND DETAIL



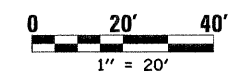
CEDARVILLE ROAD

SEE ISLAND DETAIL

IL RTE. 75

DETOUR INTERSECTION EARTHWORK VOLUME

EARTH EXCAVATION = 1545 CY
 EMBANKMENT = 61 CY
 TOPSOIL PLACEMENT = 223 CY
 TOPSOIL STRIPPING = 224 CY



REVISIONS	
NAME	DATE

ILLINOIS DEPARTMENT OF TRANSPORTATION
 F.A.P. ROUTE 505 (IL 75)
**TRAFFIC CONTROL PLAN
 DETOUR PAVING DETAILS
 CEDARVILLE & IL RTE. 75**
 SCALE: VERT. 1" = 20'
 HORIZ. 1" = 20'
 DATE: 3/3/09
 DRAWN BY: MTH
 CHECKED BY: SPF

PLOT DATE = 3/3/2009
 FILE NAME = K:\11150820\11_75_3p_ess\cond\design\195821.Det_Traf_Con.dwg
 PLOT SCALE = 1/20
 USER NAME = JPracey
 PLOTTER = HP DesignJet 500