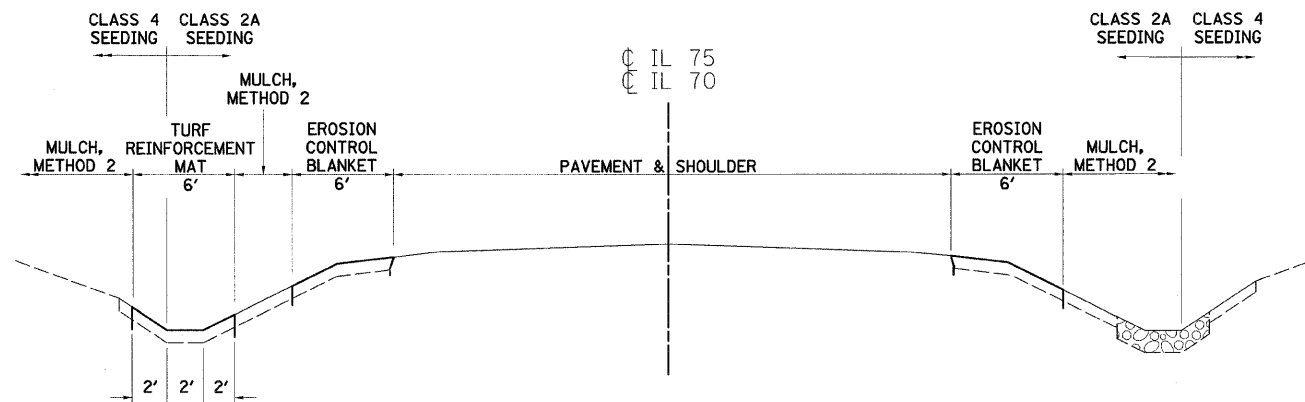
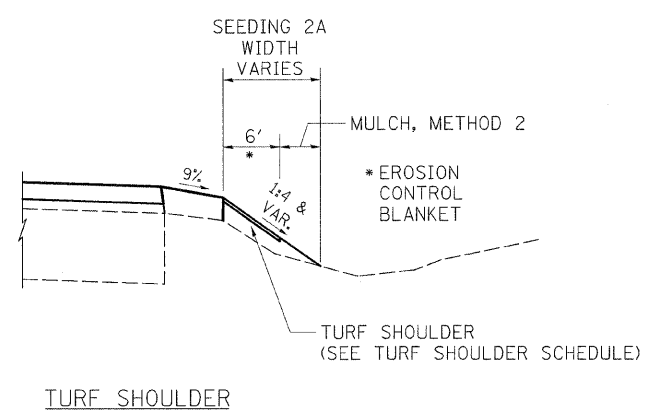


F.A.P. RTE.	SECTION	COUNTY	TOTAL SHEETS	SHEET NO.
505	111RS-4, 111BR-1, Yg-15d-RS-1, & (W-15d)T-1	STEPHENSON & WINNEBAGO	335	98
STA.		TO STA.		
FED. ROAD DIST. NO. 2		ILLINOIS FED. AID PROJECT		
CONTRACT NO. 64970				



TYPICAL EROSION CONTROL

IL 75	IL 70
STA 10445+00 TO 10451+00	STA 97+50 TO 116+30
STA 10581+00 TO 10586+50	
STA 10638+50 TO 10639+00	
STA 10653+00 TO 10659+25	
STA 10667+00 TO 10673+50	
STA 10698+00 TO 10715+00	
STA 10765+00 TO 10770+00	
STA 10811+50 TO 10816+50	
STA 10851+00 TO 10857+00	
STA 10891+50 TO 10898+50	
STA 10966+00 TO 10971+50	
STA 10988+00 TO 11028+50	
STA 11052+50 TO 11056+50	
STA 11073+00 TO 11077+50	



PLOT DATE = 3/2/2009
 FILE NAME = K:\111RS-4\111BR-1\75_3p east\acad\design\195801\195801_Erosion_Typ_Seeding.dgn
 PLOT SCALE = 1:50
 USER NAME = JTFeeley
 MODEL = D:\East

REVISIONS	
NAME	DATE

ILLINOIS DEPARTMENT OF TRANSPORTATION
 F.A.P. ROUTE 505 (IL 75)
ILLINOIS ROUTE 75
EROSION CONTROL DETAILS

SCALE: VERT. _____
 HORIZ. _____
 DATE: 3/3/09

DRAWN BY MTH
 CHECKED BY SPF