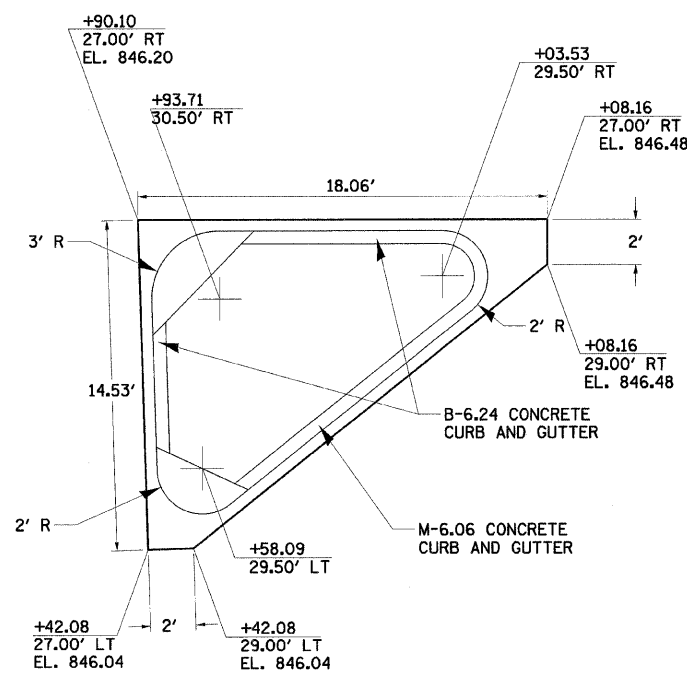
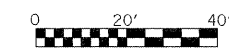
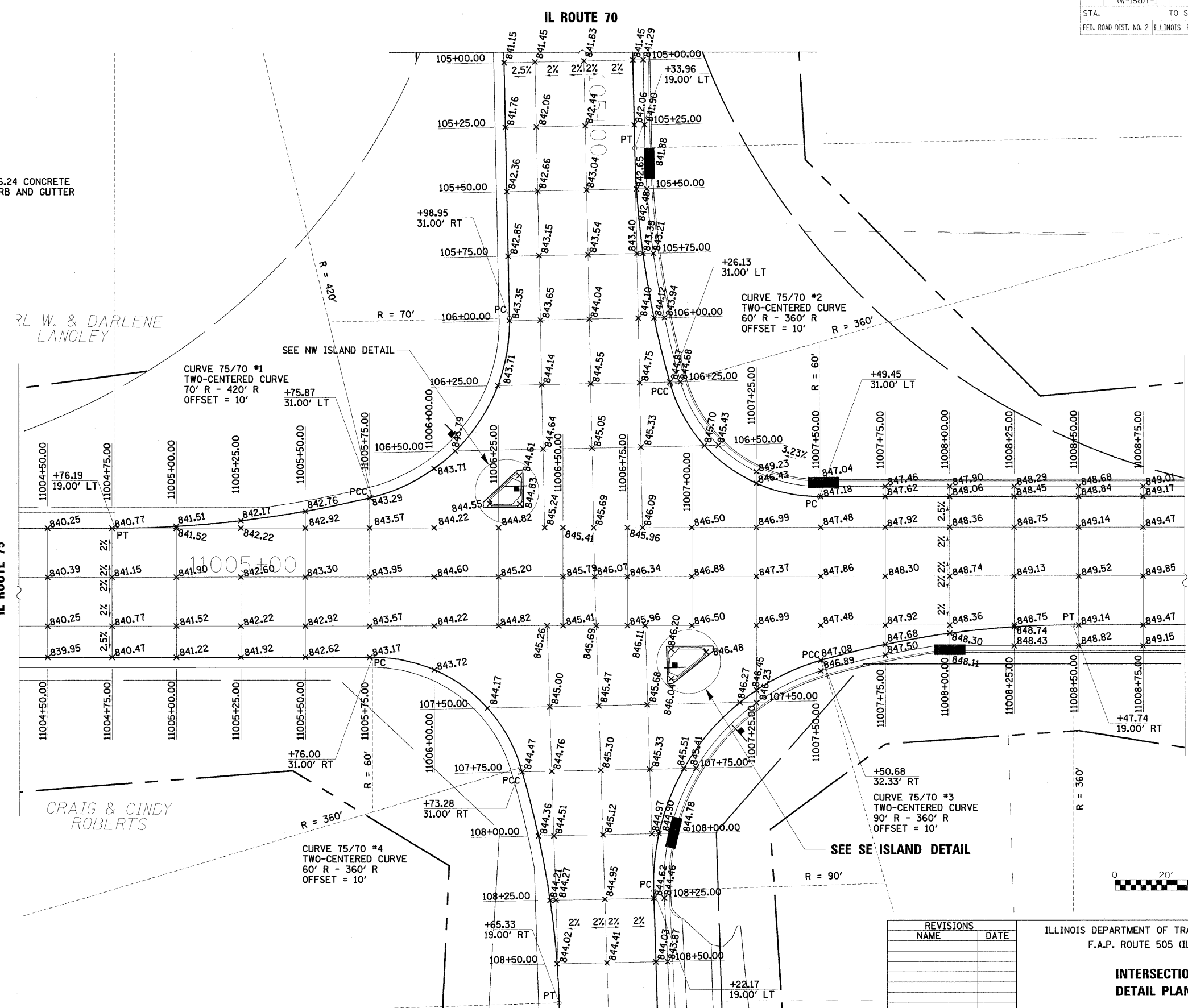


NW ISLAND DETAIL



SE ISLAND DETAIL



REVISIONS	
NAME	DATE

ILLINOIS DEPARTMENT OF TRANSPORTATION
F.A.P. ROUTE 505 (IL 75)

**INTERSECTION
DETAIL PLAN**

SCALE: VERT. 1" = 20'
HORIZ. 1" = 20'
DATE: 3/3/09

DRAWN BY: MTH
CHECKED BY: SPF

PLOT DATE = 3/3/2009
FILE NAME = k:\11198800\11_75_3P_East\CADD\Design\198888_Paving_IL75_IL76.dgn
PLOT SCALE = 1:20
USER NAME = J.Tracy
PLOTTER = D:\hp\plot