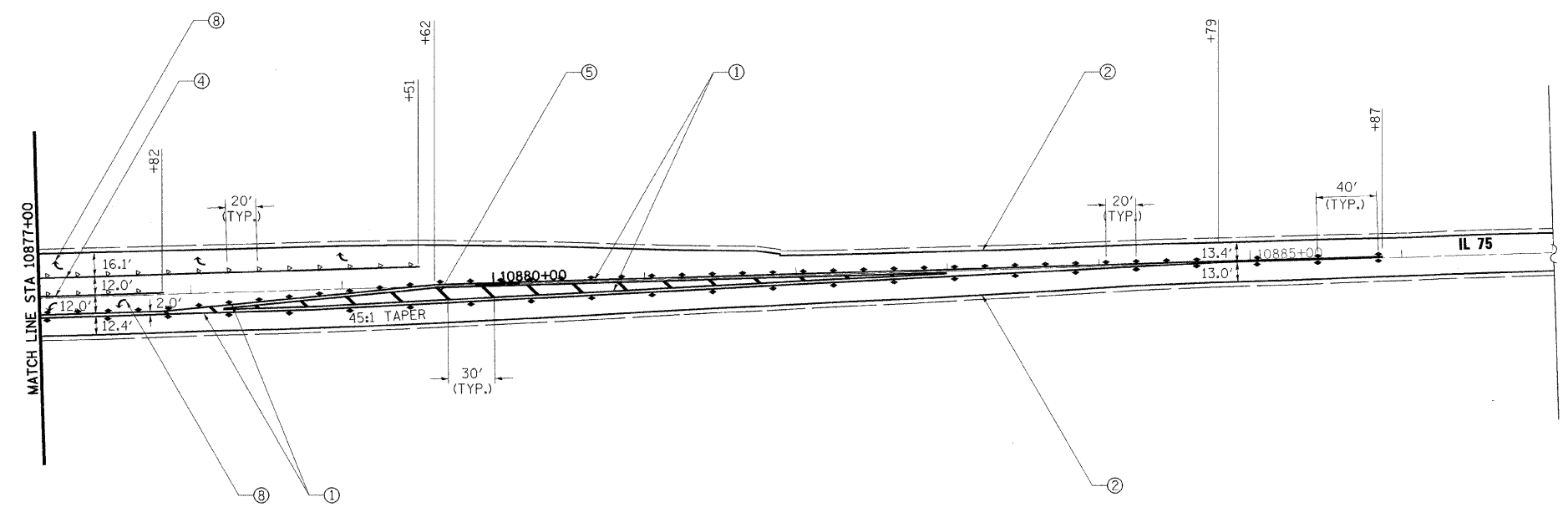
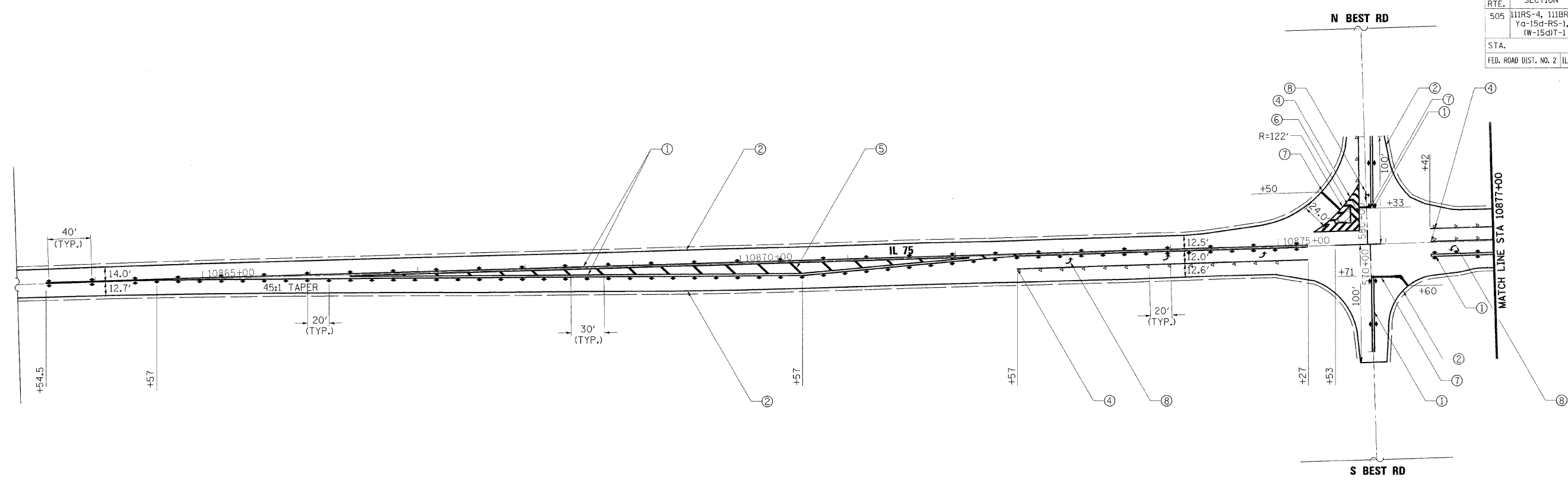


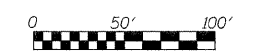
F.A.P. RTE.	SECTION	COUNTY	TOTAL SHEETS	SHEET NO.
505	111RS-4, 111BR-1, Yq-15d-RS-1, & (W-15d)T-1	STEPHENSON & WINNEBAGO	335	113
STA.		TO STA.		
FED. ROAD DIST. NO. 2		ILLINOIS FED. AID PROJECT		
CONTRACT NO. 64970				



NOTE:
ALL PAVEMENT MARKING DETAILED ON THIS SHEET SHALL CONSIST OF THERMOPLASTIC PAVEMENT MARKING

PAVEMENT MARKING LEGEND

- ① 4" DOUBLE YELLOW SOLID LINE
- ② 4" WHITE SOLID LINE
- ③ NOT USED
- ④ 8" WHITE SOLID LINE
- ⑤ 12" YELLOW SOLID LINE
- ⑥ 12" WHITE SOLID LINE
- ⑦ 24" WHITE SOLID LINE
- ⑧ WHITE LETTERS & SYMBOLS
- ▶ ONE-WAY AMBER MARKER
- ▷ ONE-WAY CRYSTAL MARKER
- ◆ TWO-WAY AMBER MARKER



REVISIONS	
NAME	DATE

ILLINOIS DEPARTMENT OF TRANSPORTATION
F.A.P. ROUTE 505 (IL 75)
**PAVEMENT MARKING
DETAILS
BEST RD**

SCALE: VERT. _____
HORIZ. _____
DATE: 3/3/09

DRAWN BY MTH
CHECKED BY SPF

PLOT DATE = 3/3/2009
FILE NAME = K:\11195880\11_75_3P_East\CADD\Design\1968801_PM.dgn
PLOT SCALE = 1:50
USER NAME = JFreedy
JOBEL = Best Rd