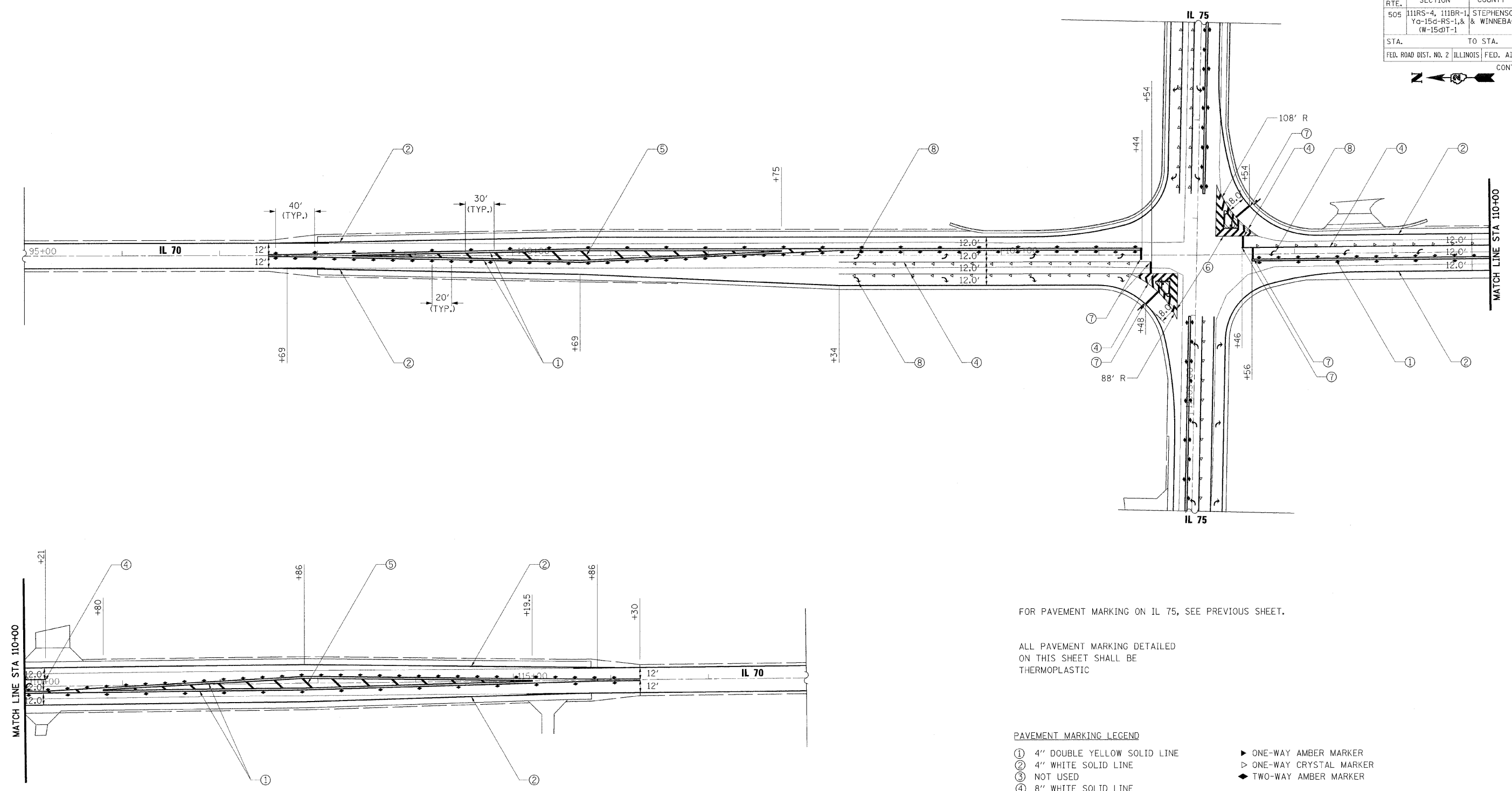


F.A.P. RTE.	SECTION	COUNTY	TOTAL SHEETS	SHEET NO.
505	111RS-4, 111BR-1, Yg-15d-RS-1, & (W-15d)T-1	STEPHENSON & WINNEBAGO	335	116
STA.		TO STA.		
FED. ROAD DIST. NO. 2		ILLINOIS FED. AID PROJECT		
CONTRACT NO. 64970				

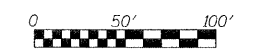
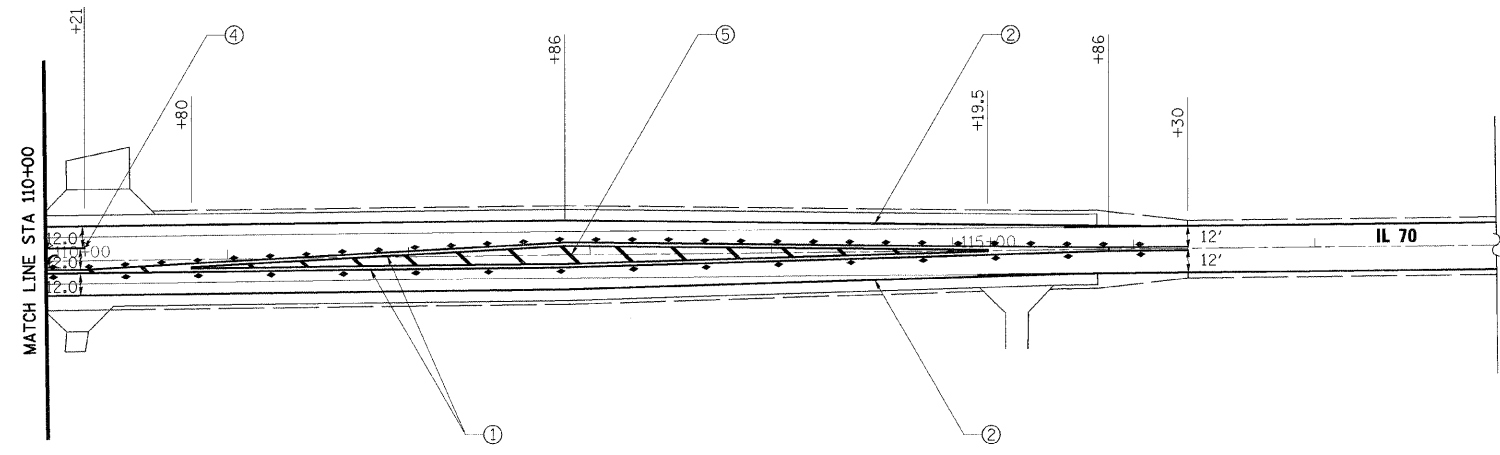


FOR PAVEMENT MARKING ON IL 75, SEE PREVIOUS SHEET.

ALL PAVEMENT MARKING DETAILED ON THIS SHEET SHALL BE THERMOPLASTIC

PAVEMENT MARKING LEGEND

- ① 4" DOUBLE YELLOW SOLID LINE
- ② 4" WHITE SOLID LINE
- ③ NOT USED
- ④ 8" WHITE SOLID LINE
- ⑤ 12" YELLOW SOLID LINE
- ⑥ 12" WHITE SOLID LINE
- ⑦ 24" WHITE SOLID LINE
- ⑧ WHITE LETTERS & SYMBOLS
- ▶ ONE-WAY AMBER MARKER
- ▷ ONE-WAY CRYSTAL MARKER
- ◆ TWO-WAY AMBER MARKER



REVISIONS	
NAME	DATE

ILLINOIS DEPARTMENT OF TRANSPORTATION
 F.A.P. ROUTE 505 (IL 75)
**PAVEMENT MARKING
 DETAILS
 IL 70**

VERT. SCALE: DRAWN BY MTH
 HORIZ. SCALE: CHECKED BY SPF
 DATE: 3/3/09

PLOT DATE = 3/3/2009
 FILE NAME = H:\111958000\IL_75_3P_East\CADD\Design\198861.LPM.dgn
 PLOT SCALE = 1:50
 USER NAME = J.Prasoy
 PDELL = 1178