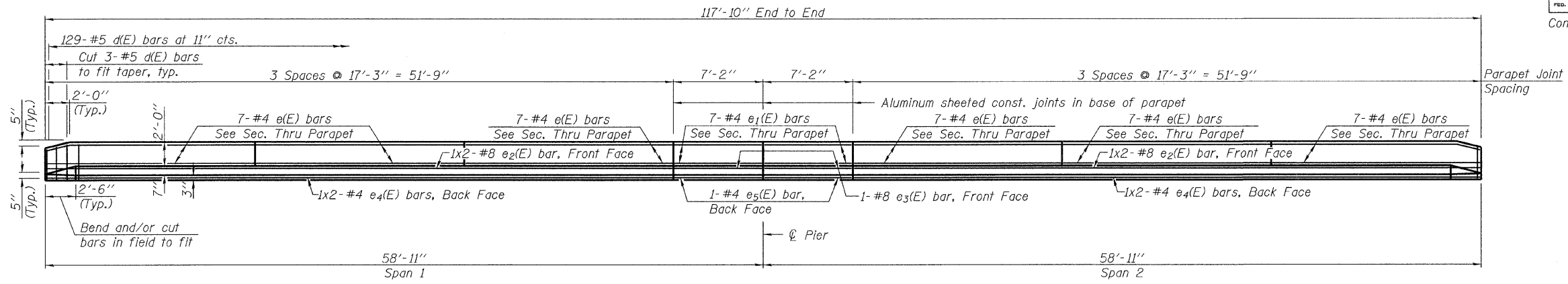
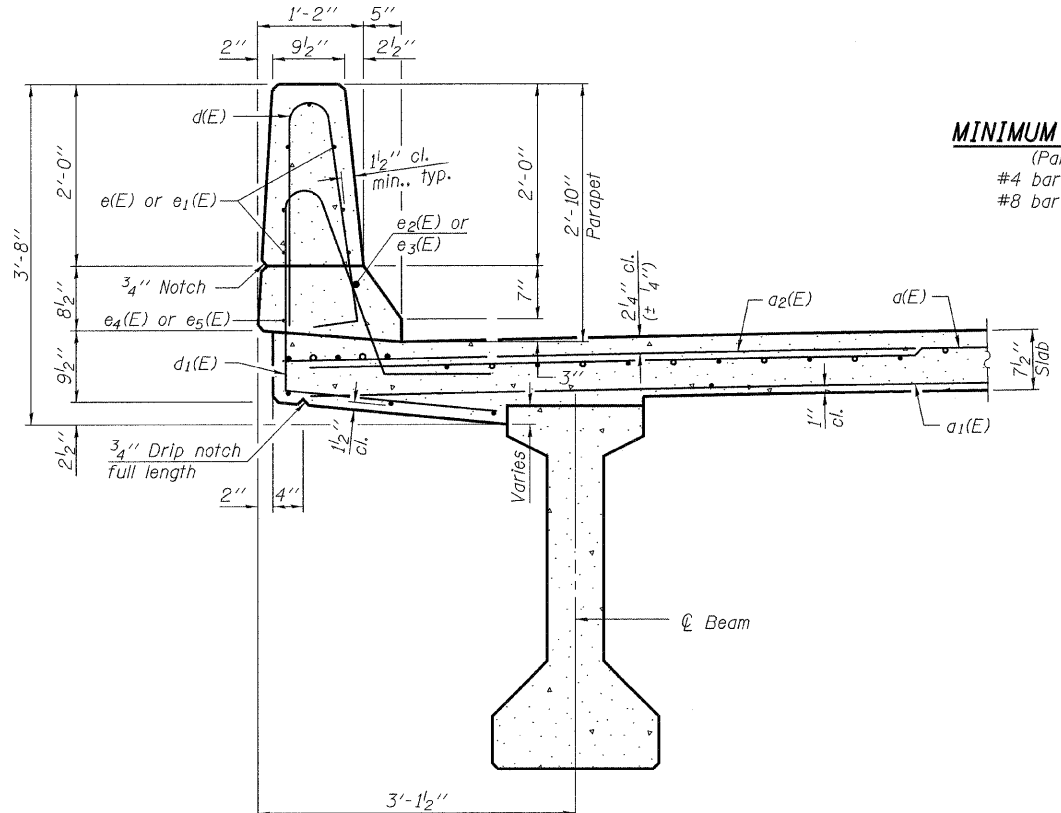


Contract #64970

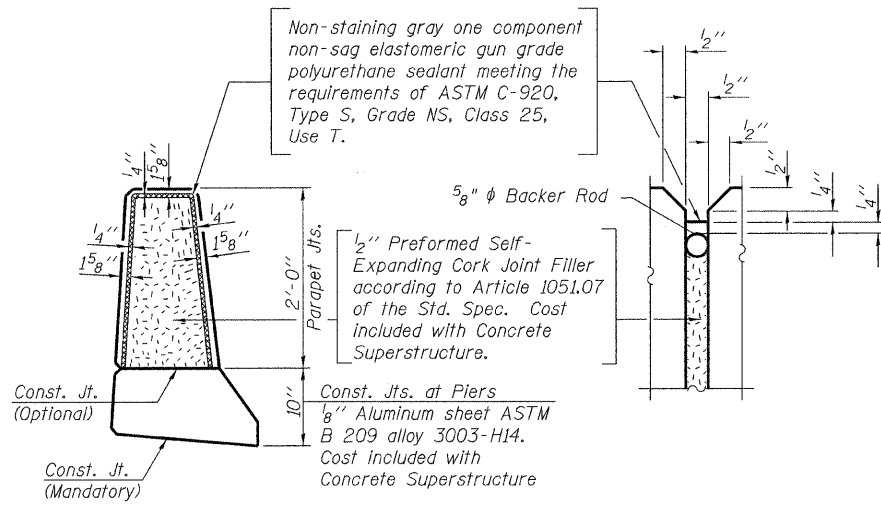


INSIDE ELEVATION OF PARAPET

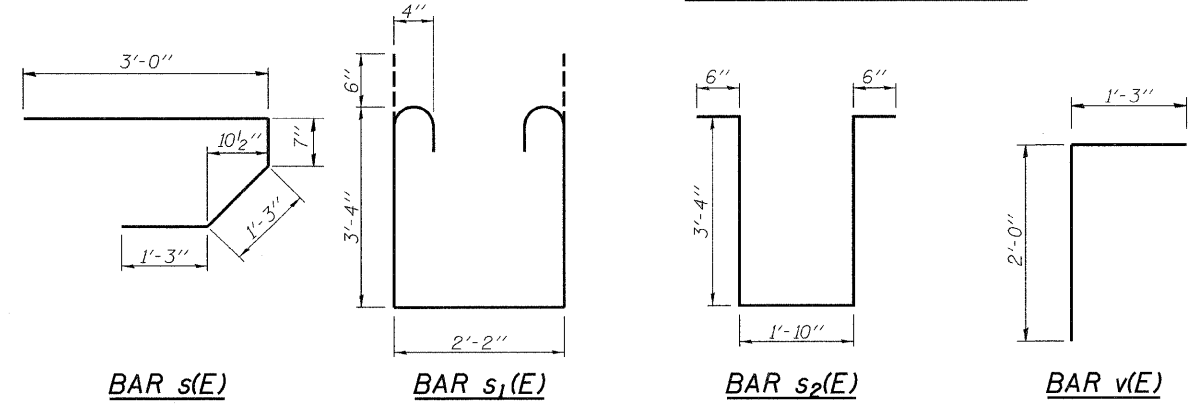
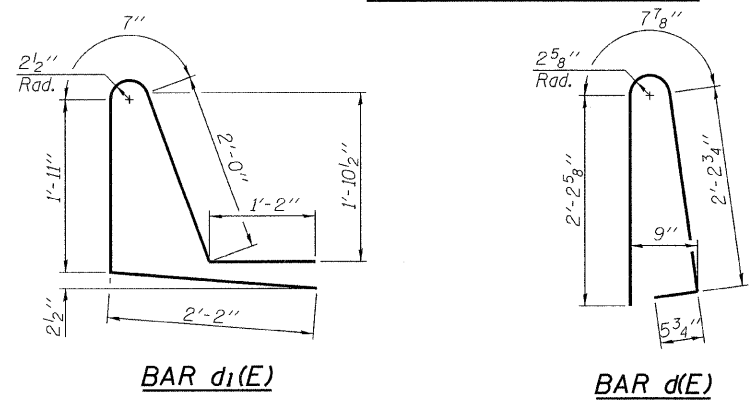


SECTION THRU PARAPET

MINIMUM BAR LAP
(Parapet)
#4 bar = 1'-4"
#8 bar = 3'-5"



PARAPET JOINT DETAILS



SUPERSTRUCTURE BILL OF MATERIAL

Bar	No.	Size	Length	Shape
a(E)	202	#5	38'-7"	—
a1(E)	142	#5	37'-11"	—
a2(E)	202	#6	4'-6"	—
b(E)	168	#5	31'-1"	—
b1(E)	155	#5	25'-3"	—
b2(E)	39	#6	23'-2"	—
d(E)	258	#5	5'-7"	┘
d1(E)	258	#5	7'-10"	┘
e(E)	84	#4	16'-11"	—
e1(E)	28	#4	6'-10"	—
e2(E)	8	#8	27'-6"	—
e3(E)	4	#8	6'-10"	—
e4(E)	8	#4	26'-5"	—
e5(E)	4	#4	6'-10"	—
m(E)	4	#6	37'-5"	—
m1(E)	6	#6	38'-11"	—
m2(E)	24	#6	8'-9"	—
m3(E)	20	#6	4'-10"	—
m4(E)	4	#6	2'-1"	—
m5(E)	20	#4	5'-10"	—
m6(E)	6	#8	5'-6"	—
s(E)	72	#4	6'-1"	┘
s1(E)	62	#4	9'-10"	┘
s2(E)	25	#4	9'-6"	┘
v(E)	76	#5	3'-3"	┘
Reinforcement Bars, Epoxy Coated		Lbs.		33,840
Concrete Superstructure		Cu. Yds.		163.9
Bar Splicers		Each		76

rjngroup
Excellence through Ownership
200 West Front Street
Wheaton, IL 60187

ILLINOIS DEPARTMENT OF TRANSPORTATION
SUPERSTRUCTURE DETAILS
IL-75 OVER ROCK RUN CREEK
FAP RTE 505 - SECTION 111B
STEPHENSON COUNTY
STATION 10705+38.61
STRUCTURE NO. 089-0084
DATE: 3/03/2009
DRAWN BY JMT
CHECKED BY WJV