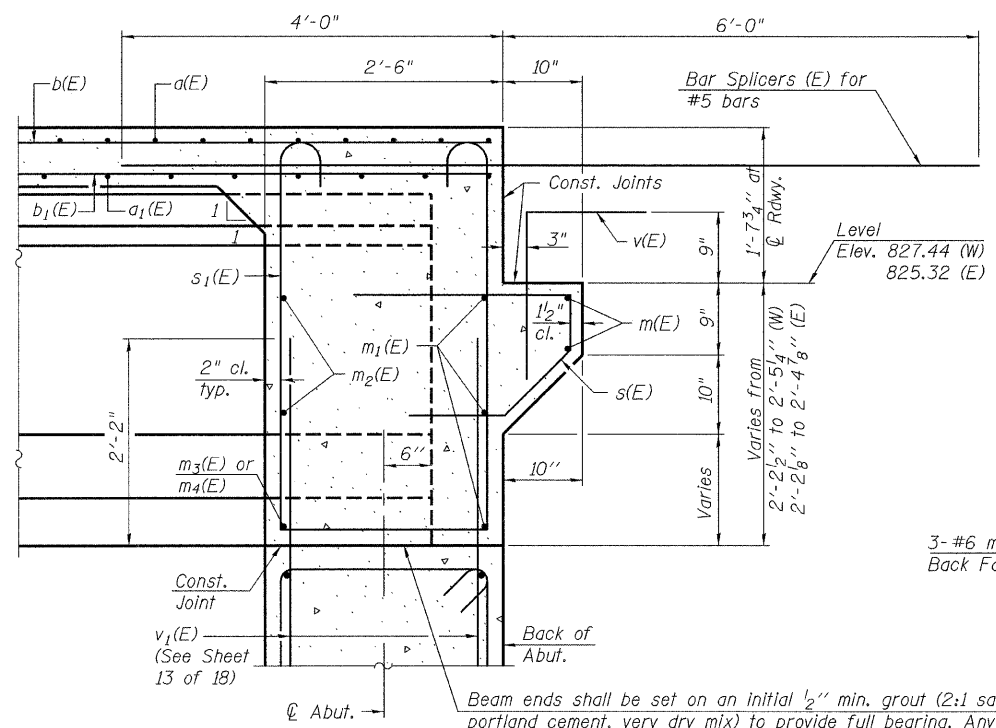
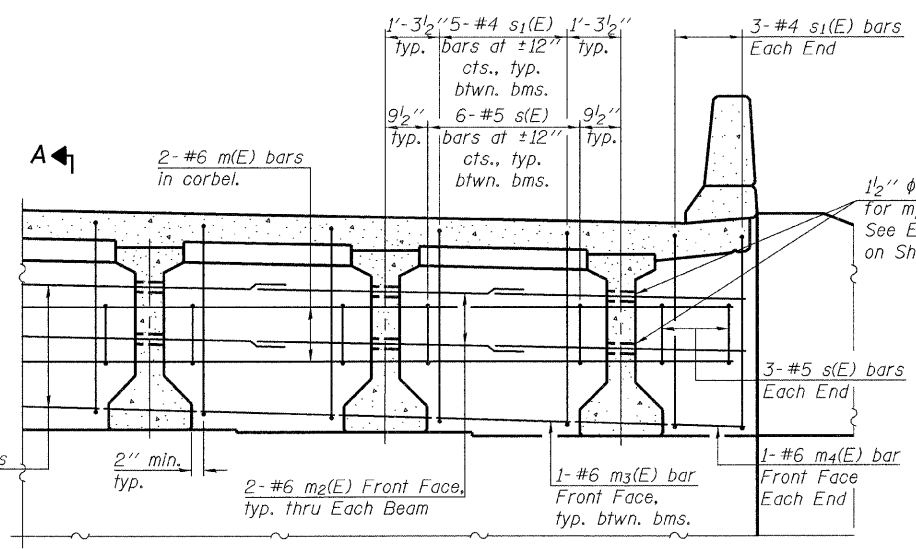


Contract #64970



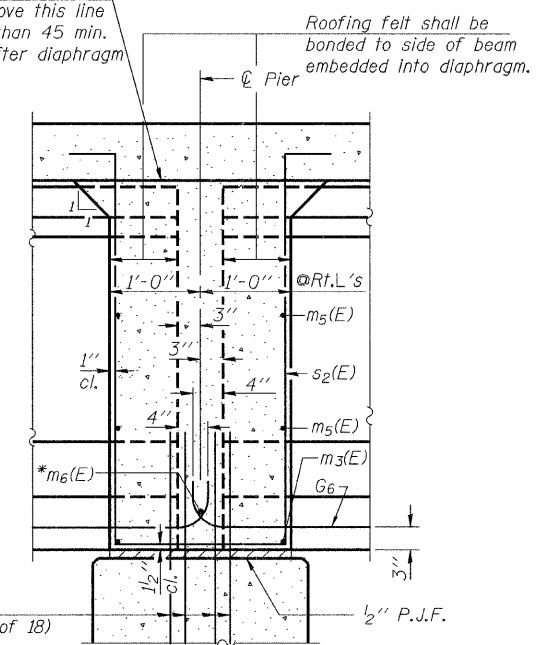
SECTION A-A

Beam ends shall be set on an initial 1/2" min. grout (2:1 sand and portland cement, very dry mix) to provide full bearing. Any excess grout squeezed out from under the beam shall be removed. Cost included with Concrete Structures.



DIAPHRAGM ELEVATION AT ABUTMENT

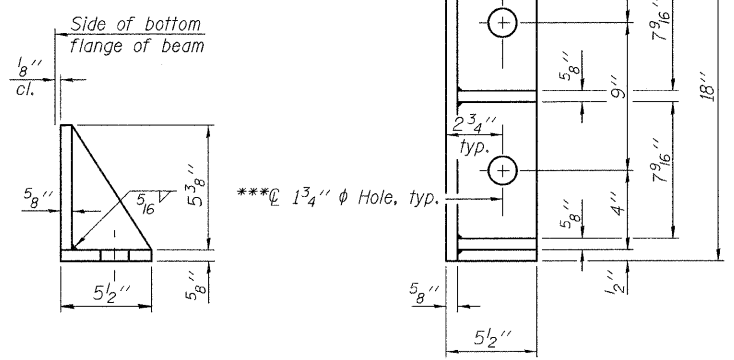
Pour diaphragm flush with bott. of slab. Concrete in slab above this line shall be placed not less than 45 min. nor more than 90 min. after diaphragm has been poured.



SECTION B-B AT PIER (Fixed)

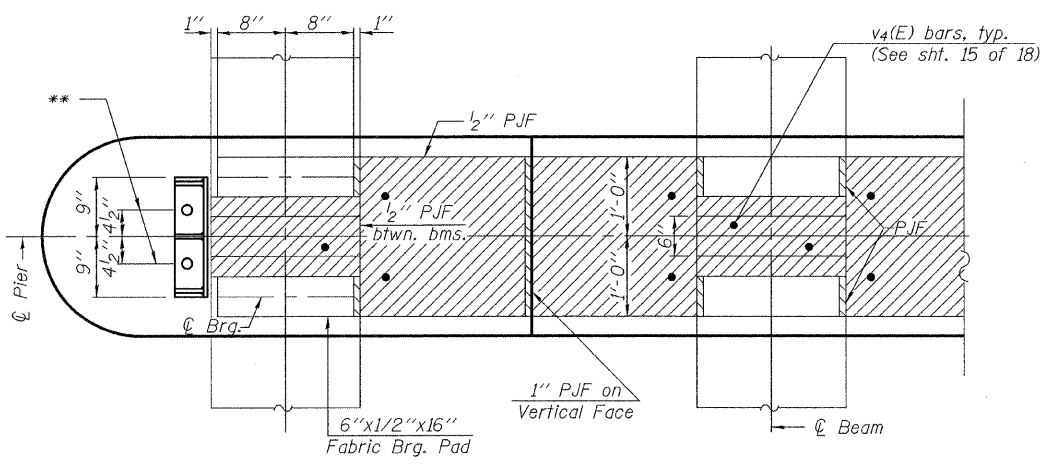
*Tightly fasten the #8 bars together with No. 9 wire ties.

MIN. BAR LAP
#6 bar = 2'-9"



SIDE RETAINER

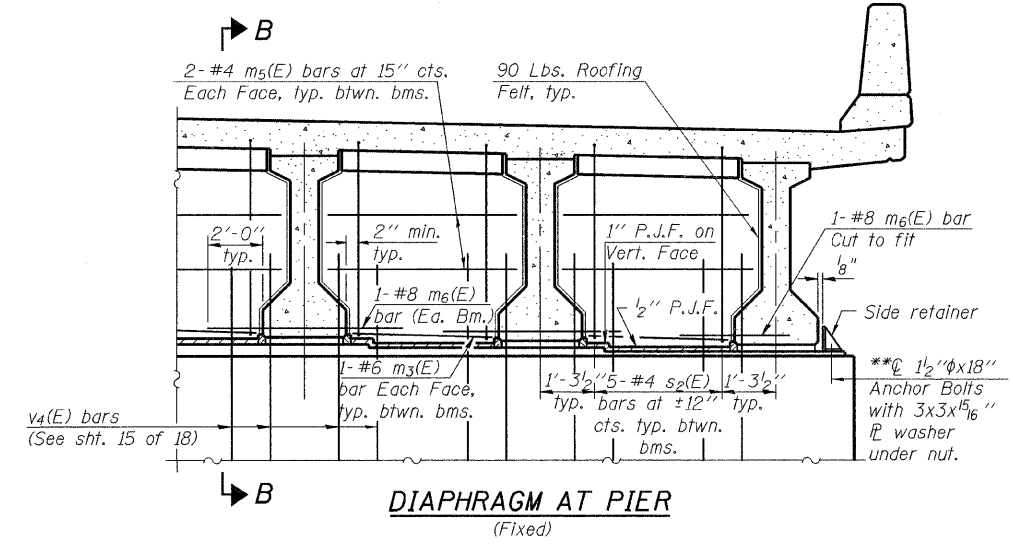
Equivalent rolled angle with stiffeners will be allowed in lieu of welded plates.



BEARING PAD DETAIL AT PIER

**Holes in cap to be drilled after beams are in place

Notes:
Reinforcement bars in diaphragm are billed with superstructure on sheet 8 of 18.
Concrete in diaphragm is included with Concrete Superstructure on sheet 8 of 18.
For details of bars s(E), s1(E) and s2(E) see sheet 8 of 18.
The s(E), s1(E) and s2(E) bars shall be placed parallel to the beams. Spacing for these bars shall be at right angles to the beams.
Cost of 90 Lb. roofing felt is included with Concrete Superstructure.
The side retainer shall be galvanized after shop fabrication according to AASHTO M 111. Cost of side retainer and anchor bolts shall be included with Concrete Structures.
Anchor bolts shall be ASTM F1554 all-thread (or an Engineer-approved alternate material) of the grade(s) and diameter(s) specified. ASTM A307 Grade C anchor bolts may be used in lieu of ASTM F1554 Grade 36 (Fy=36ksi). The corresponding specified grade of AASHTO M314 anchor bolts may be used in lieu of ASTM F1554.
Anchor bolts for side retainers may be cast in place or installed in holes drilled before or after members are in place.
Drilled and set anchor bolts shall be installed according to Article 521.06 of the Standard Specifications.



DIAPHRAGM AT PIER (Fixed)

<p>Excellence through Ownership</p> <p>200 West Front Street Wheaton, IL 60187</p>	<p>ILLINOIS DEPARTMENT OF TRANSPORTATION</p> <p>DIAPHRAGM DETAILS IL-75 OVER ROCK RUN CREEK FAP RTE 505 - SECTION 111B STEPHENSON COUNTY STATION 10705+38.61 STRUCTURE NO. 089-0084</p>
	<p>DATE: 3/03/2009</p> <p>DRAWN BY JMT CHECKED BY BLB</p>