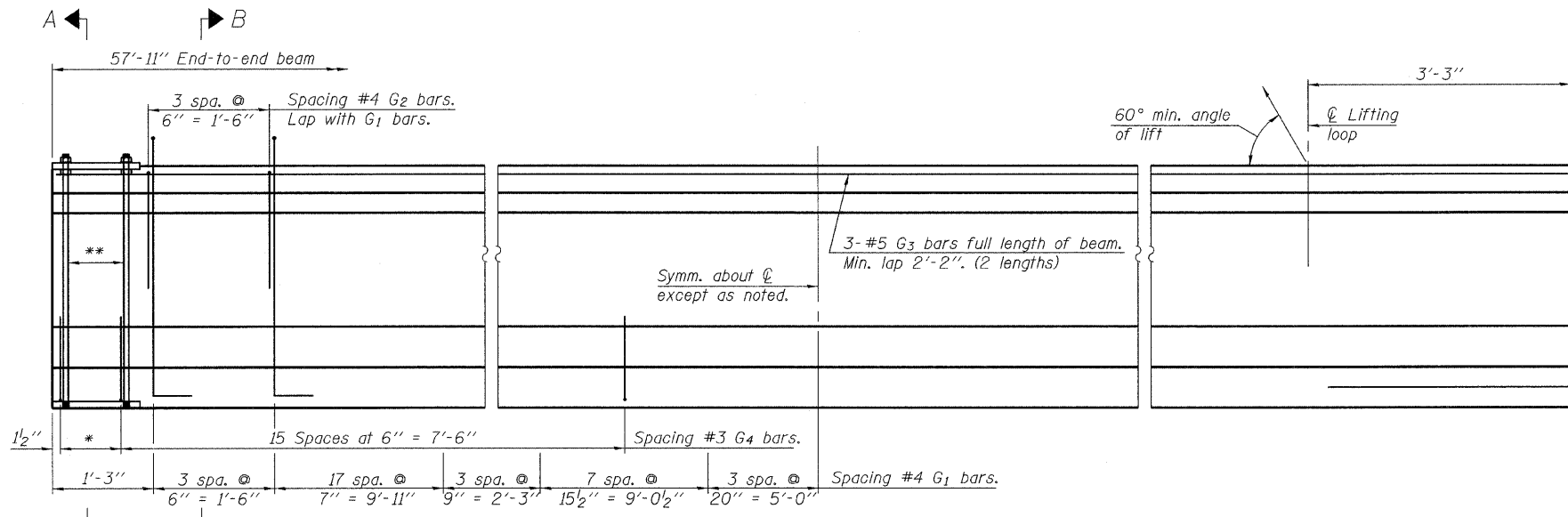


Contract #64970



**ELEVATION OF BEAM**  
(Showing reinforcement & dimensions)

\* 3 spaces at 3" = 9".  
\*\* 4-3/4" φ threaded dowel rods at 3" cts., each face.

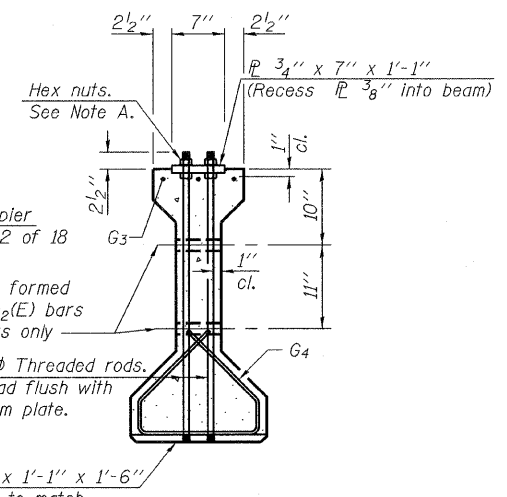
2-#8 G6 bars at pier only. (See sheet 12 of 18 for details).

φ of 1 1/2" φ formed holes for m2(E) bars at abutments only

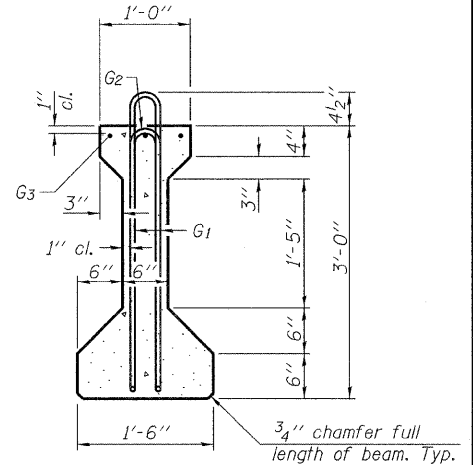
3/4" φ Threaded rods. Thread flush with bottom plate.

1" x 1'-1" x 1'-6" (Bevel to match chamfer).

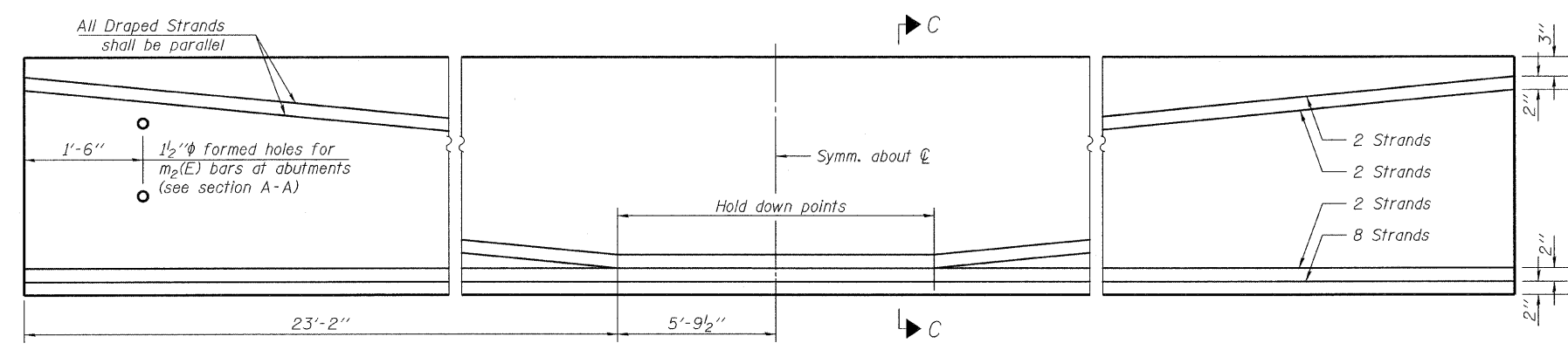
Note A:  
Hex nuts (top and bottom) with lock washers (top). Only tighten sufficiently to compress lock washers.



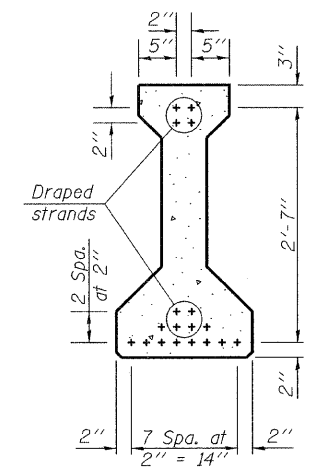
**SECTION A-A**



**SECTION B-B**



**ELEVATION OF BEAM**  
(Showing prestressing steel)



**SECTION C-C**

**BAR LIST**  
**ONE BEAM ONLY**

Bar	No.	Size	Length	Shape
G1	67	#4	7'-5"	∩ L
G2	8	#4	3'-10"	∩
G3	6	#5	30'-1"	—
G4	38	#3	4'-1"	U
G6	2	#8	3'-9"	U

Notes:  
See sheet 12 of 18 for additional details and Bill of Material.  
Required release strength, f'ci, shall be 5000 psi.