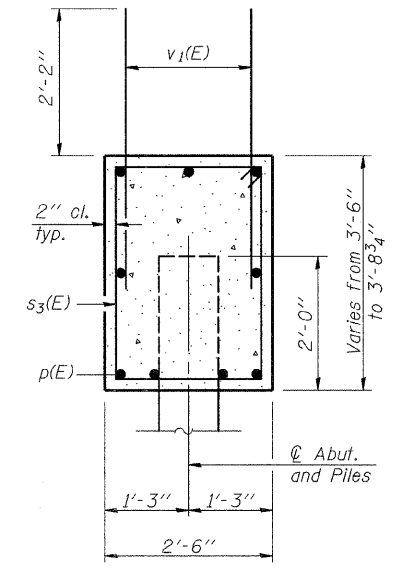
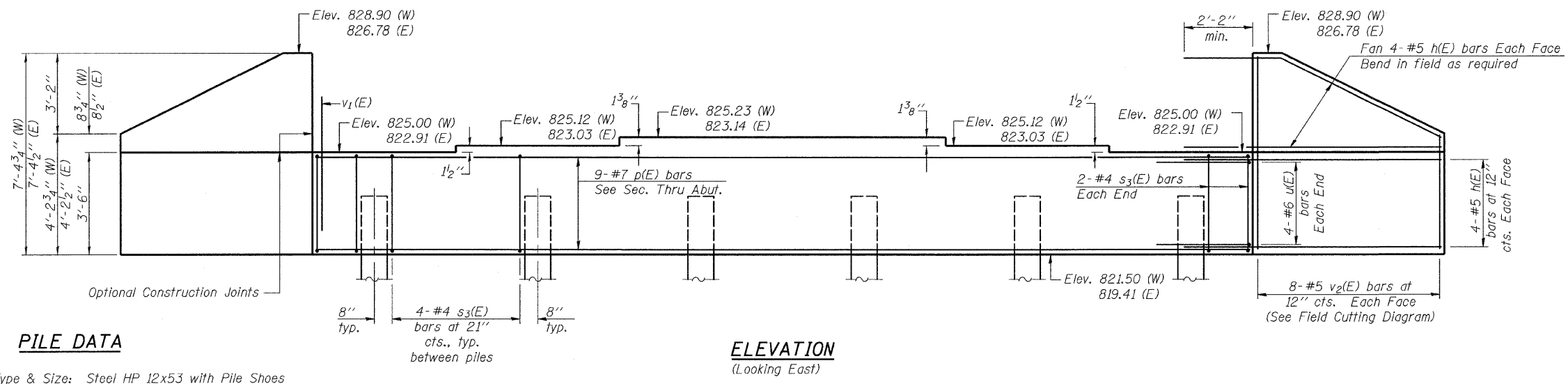


Contract #64970



PILE DATA

Type & Size: Steel HP 12x53 with Pile Shoes
 Nominal Required Bearing: 419 kips
 Allowable Resistance Available: 140 kips
 Est. Length: 17.8' (East Abutment)
 13.7' (West Abutment)
 No. Req'd: 5 (East Abutment) plus 1 Test Pile
 5 (West Abutment) plus 1 Test Pile
 The Steel H-piles shall be according to AASHTO M270 Grade 50.
 The test piles shall be driven to 110 percent of the Nominal Required Bearing indicated in the pile data information.

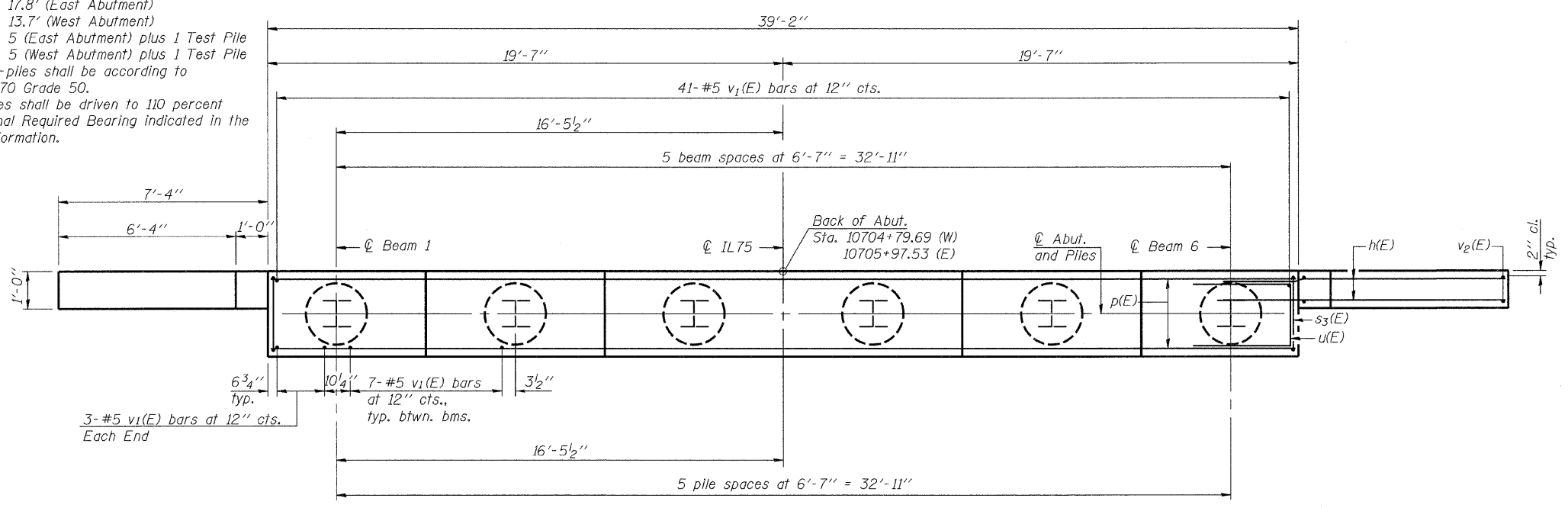
ELEVATION
(Looking East)

SEC. THRU ABUT.

BILL OF MATERIAL

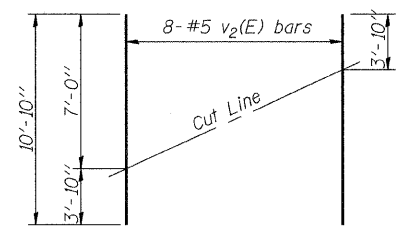
Bar	No.	Size	Length	Shape
h(E)	64	#5	9'-6"	—
p(E)	18	#7	38'-11"	—
s3(E)	48	#4	11'-5"	□
u(E)	16	#6	7'-3"	—
v1(E)	164	#5	4'-4"	—
v2(E)	32	#5	10'-10"	—
Concrete Structures		Cu. Yd.	32.7	
Reinforcement Bars, Epoxy Coated		Pound	3710	
Structure Excavation		Cu. Yd.	270	
Furnishing Steel Piles HP 12x53		Foot	157.5	
Driving Piles		Foot	157.5	
Test Pile Steel HP 12x53		Each	2	
Pile Shoes		Each	12	
Concrete Encasement		Cu. Yd.	4.2	

*Structure Excavation for W. Abut. = 135 Cu. Yd., E. Abut. = 135 Cu. Yd.



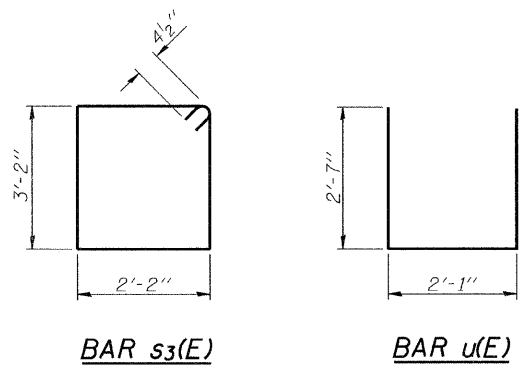
PLAN

Notes:
 Pour steps monolithically with cap.
 All edges shall have standard 3/4" chamfers.
 For details of piles and Concrete Encasement, see sheet 14 of 18.



FIELD CUTTING DIAGRAM

Order v2(E) full length. Cut as shown and use remainder of bars in opposite face.



rjngroup
 Excellence through Ownership
 200 West Front Street
 Wheaton, IL 60187

ILLINOIS DEPARTMENT OF TRANSPORTATION
 ABUTMENT DETAILS
 IL-75 OVER ROCK RUN CREEK
 FAP RTE 505 - SECTION 111B
 STEPHENSON COUNTY
 STATION 10705+38.61
 STRUCTURE NO. 089-0084
 DATE: 3/03/2009
 DRAWN BY JMT
 CHECKED BY JWJ