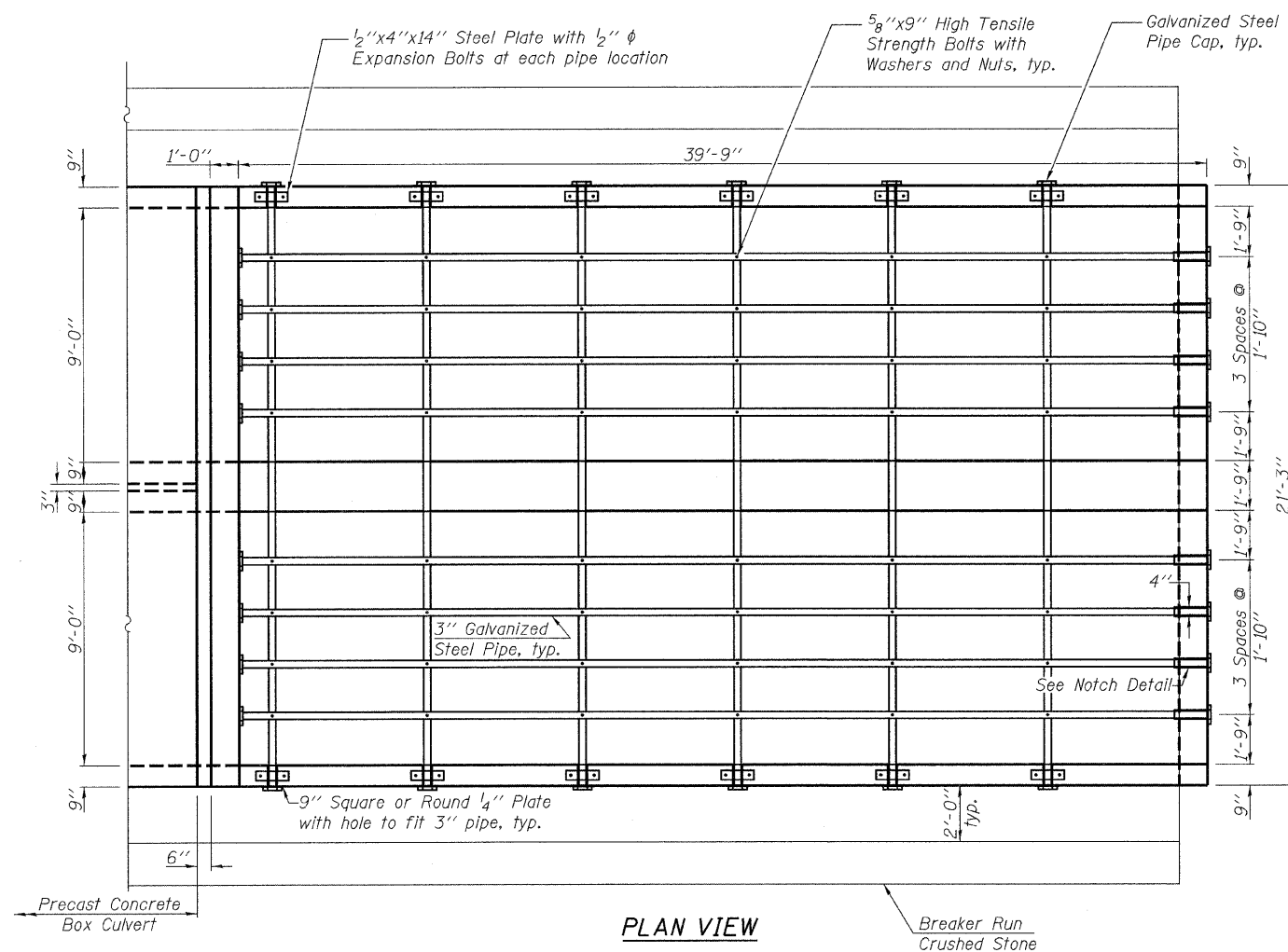
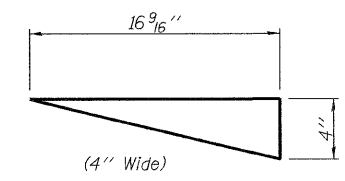


ROUTE NO.	SECTION	COUNTY	TOTAL SHEETS	SHEET NO.	SHEET NO. 1
FAP 505	**	WINNEBAGO	335	139	3 SHEETS
FED. ROAD DIST. NO. 7		ILLINOIS	FED. AID PROJECT		

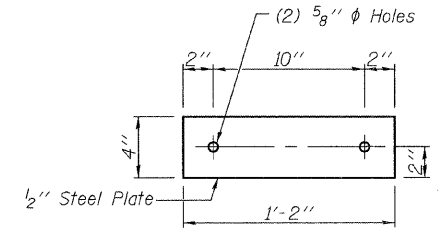
\*\*111RS-4, 111BR-1, Ya-15d-RS-1, & (W-15d)T-1  
Contract # 64970



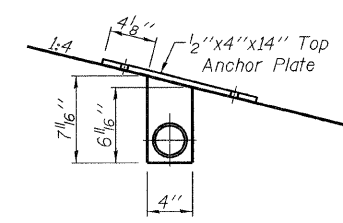
**PLAN VIEW**



**NOTCH DETAIL**



**TOP ANCHOR PLATE**



**DETAIL "A"**

**GENERAL NOTES**

Reinforcement bars shall conform to the requirements of A.S.T.M. A 706 Gr 60. See Special Provisions.

The distance from the top of headwall or wingwall to the adjacent ground surface shall be 3 inches (nominal), but in no case greater than 4 inches.

Grating shall include pipes, plates, expansion bolts, and all other hardware as shown and shall be included with the contract unit price per Cu. Yd. for Concrete Structures.

Bolts, Nuts, and Washers shall be in accordance with Article 1006.08 of the Standard Specifications and shall be galvanized.

Steel Plates shall conform to AASHTO M-183 and shall be galvanized conforming to AASHTO M-111.

Steel Pipes shall conform to A.S.T.M. A-53 (Type E or S) Grade B, Schedule 40, and shall be galvanized conforming to A.S.T.M. A-120. Contractor shall field verify pipe length.

See Plan and Profile Sheet 72 of 335 for more information.

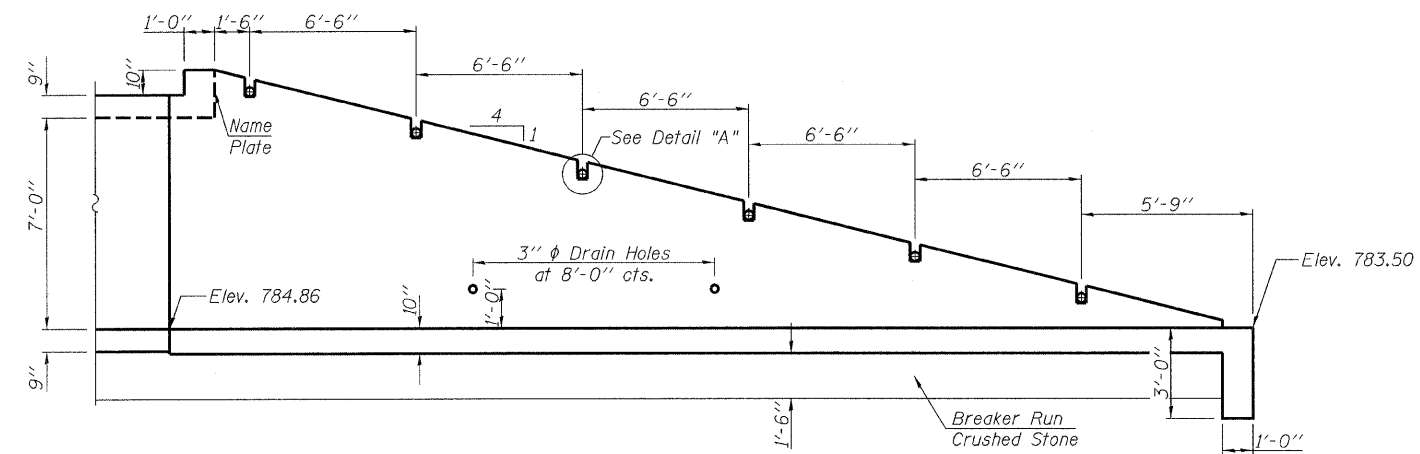
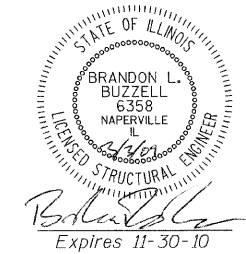
See Sheet 159 of 335 for details of Breaker Run Crushed Stone.

If the Contractor elects to use precast construction, the Precaster shall provide complete details in the shop drawings for review by the Engineer.

STATION 10968+79  
BUILT 20 BY  
STATE OF ILLINOIS  
F.A.P. RT. 505 SEC 109RS-2, Ya-15d-RS-1  
LOADING HS20  
STR. NO. 101-2048

**NAME PLATE**

See Std. 515001  
Located on the NE Headwall.  
Locate to miss pipe grating.



**PROFILE VIEW**

<p>Excellence through Ownership</p> <p>200 West Front Street Wheaton, IL 60187</p>	<p>ILLINOIS DEPARTMENT OF TRANSPORTATION GRATED CULVERT EXTENSION NO. 8 IL-75 OVER TRIBUTARY TO PECATONICA RIVER FAP RTE 505 - SECTION 111RS-4, 111BR-1, Ya-15d-RS-1, &amp; (W-15d)T-1 WINNEBAGO COUNTY STATION 10968+79 STRUCTURE NO. 101-2048</p>
	<p>DATE: 3/03/2009</p> <p>DRAWN BY JMT CHECKED BY WJV</p>