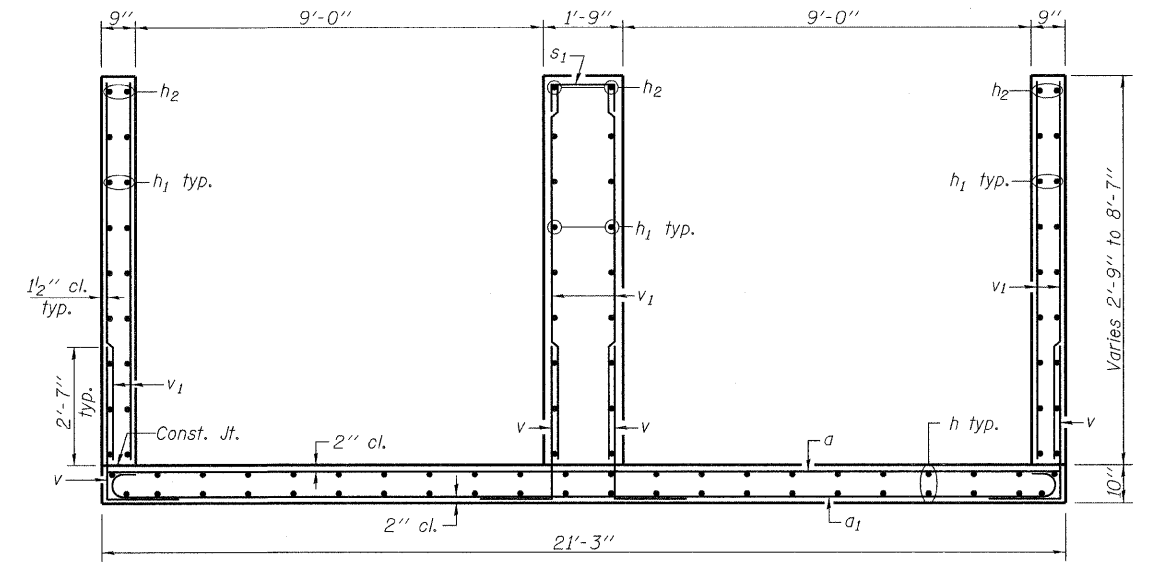
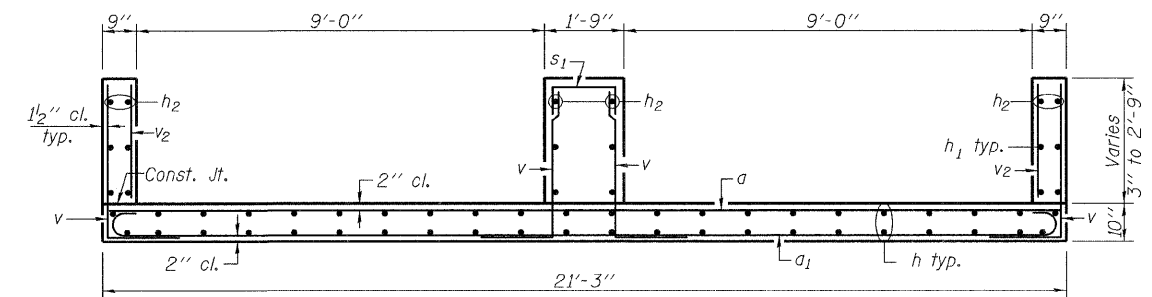


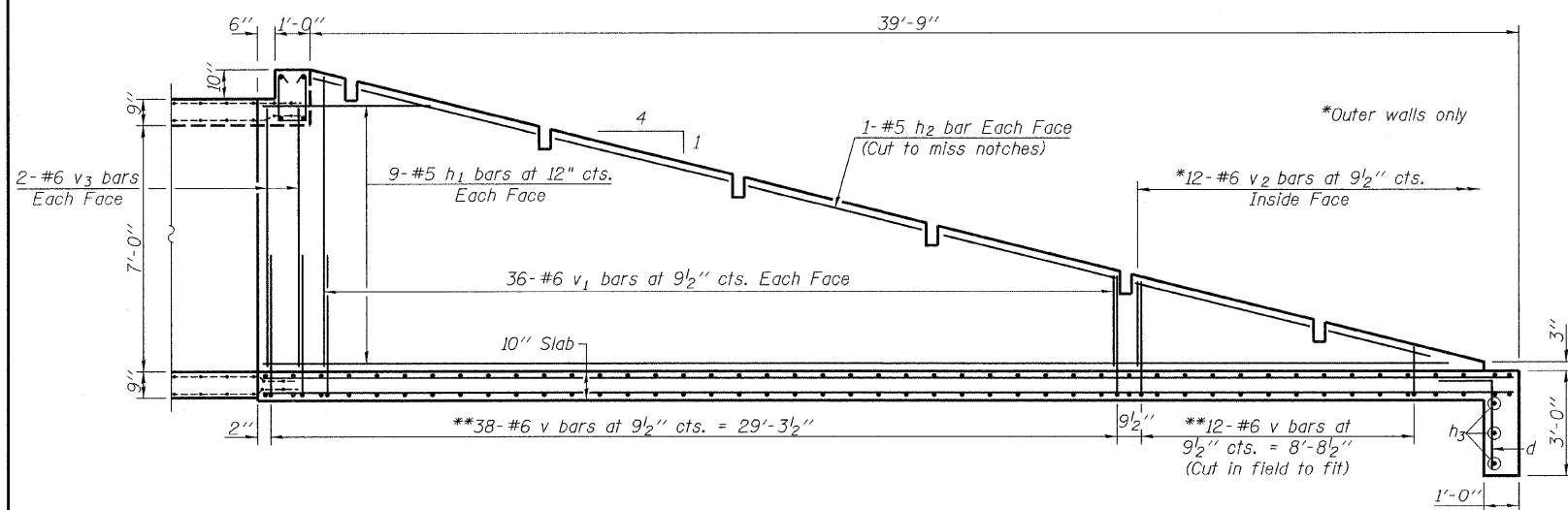
PLAN



SECTION A-A



SECTION B-B



LONGITUDINAL SECTION

NOTES

See Sheet 1 of 3 for General Notes.
See Sheet 3 of 3 for Section C-C and Detail 1.

**Outside face of outer walls,
both faces of center wall

rjngroup

Excellence through Ownership

200 West Front Street
Wheaton, IL 60187

ILLINOIS DEPARTMENT OF TRANSPORTATION
GRATED CULVERT EXTENSION NO. 8
IL-75 OVER TRIBUTARY TO PECATONICA RIVER
FAP RTE 505 - SECTION
111RS-4, 111BR-1, Ya-15d-RS-1, & (W-15d)T-1
WINNEBAGO COUNTY
STATION 10968+79
STRUCTURE NO. 101-2048

DATE: 3/03/2009

DRAWN BY JMT
CHECKED BY WJV