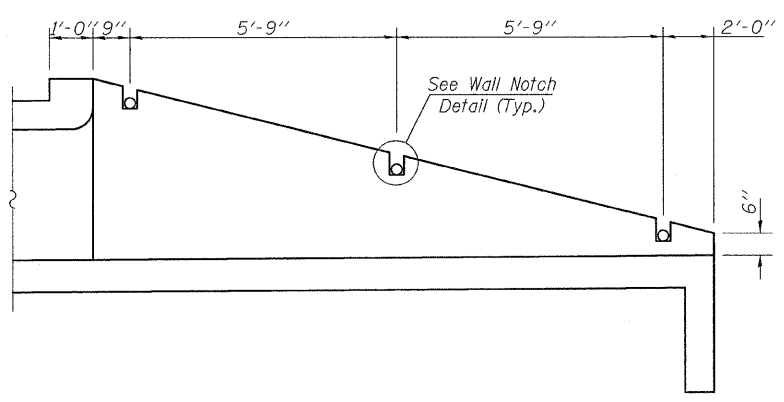
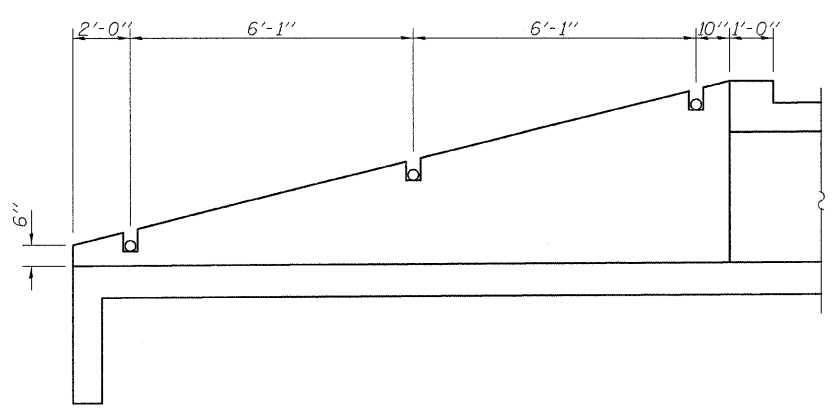
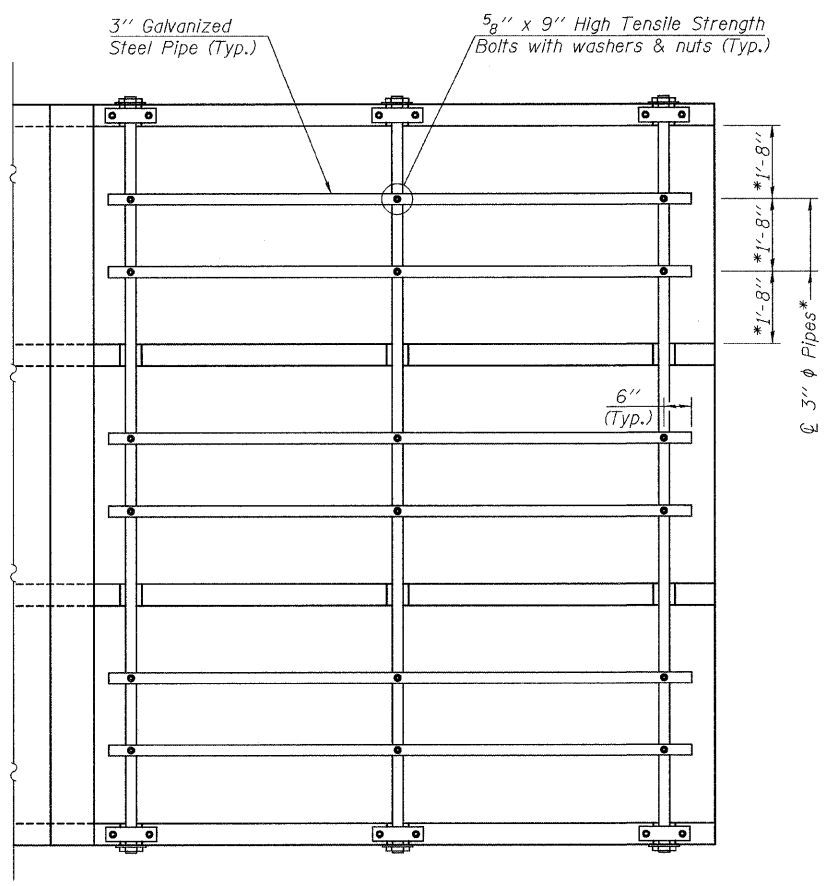
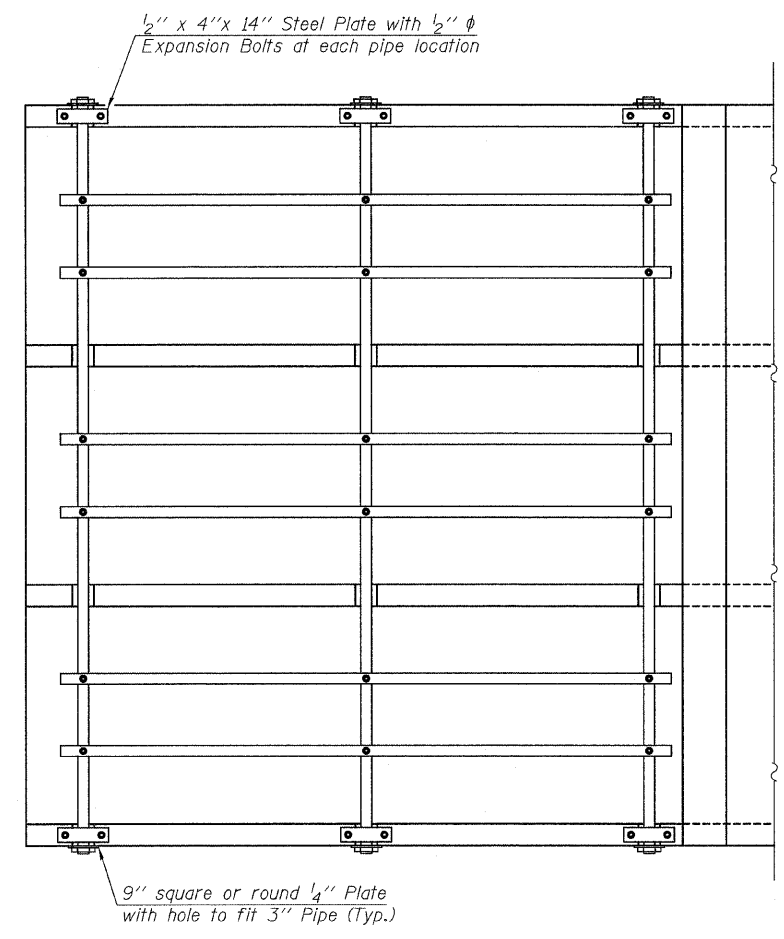


ROUTE NO.	SECTION	COUNTY	TOTAL SHEETS	SHEET NO.	SHEET NO. 4 5 SHEETS
FAP 505	**	WINNEBAGO	335	152	
FED. ROAD DIST. NO. 7		ILLINOIS	FED. AID PROJECT		

Contract # 64970
** (W-15d) T-1

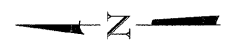


ELEVATION



PLAN

*Typ. Each Cell



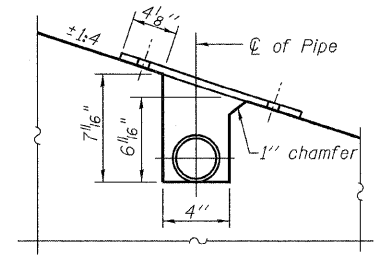
NOTES

Grating shall include pipes, plates, expansion bolts, and all other hardware as shown and shall be included with the contract unit price per Cu. Yd. for Concrete Box Culverts.

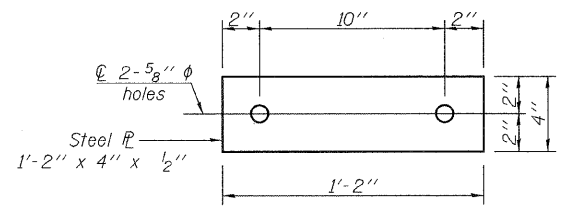
Bolts, Nuts, and Washers shall be in accordance with Article 1006.08 of the standard specification and shall be galvanized.

Steel Plates shall conform to AASHTO M-183 and shall be galvanized conforming to AASHTO M-111.

Steel pipes shall conform to A.S.T.M. A-53 (Type E or S) Grade B, Schedule 40, and shall be galvanized conforming to A.S.T.M. A-120. Contractor shall field verify pipe length.



WALL NOTCH DETAIL
(Typical center and outside walls)



TOP ANCHOR PLATE

3/2/2009 K:\117924\Structure\3 call.dgn

rjngroup
Excellence through Ownership
200 West Front Street
Wheaton, IL 60187

ILLINOIS DEPARTMENT OF TRANSPORTATION
CULVERT DETAILS III
IL-75 OVER UNNAMED TRIBUTARY
TO SOUTH BRANCH OTTER CREEK
FAP RTE 505 - SECTION (W-15d)T-1
WINNEBAGO COUNTY
STATION 11054+39
STRUCTURE NO. 101-1083
DATE: 3/03/2009
DRAWN BY JMT
CHECKED BY BLB