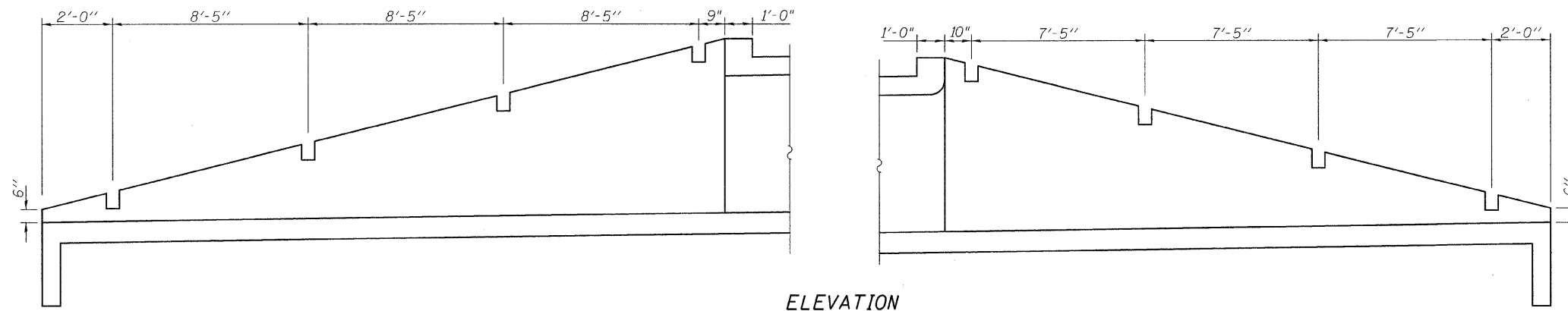


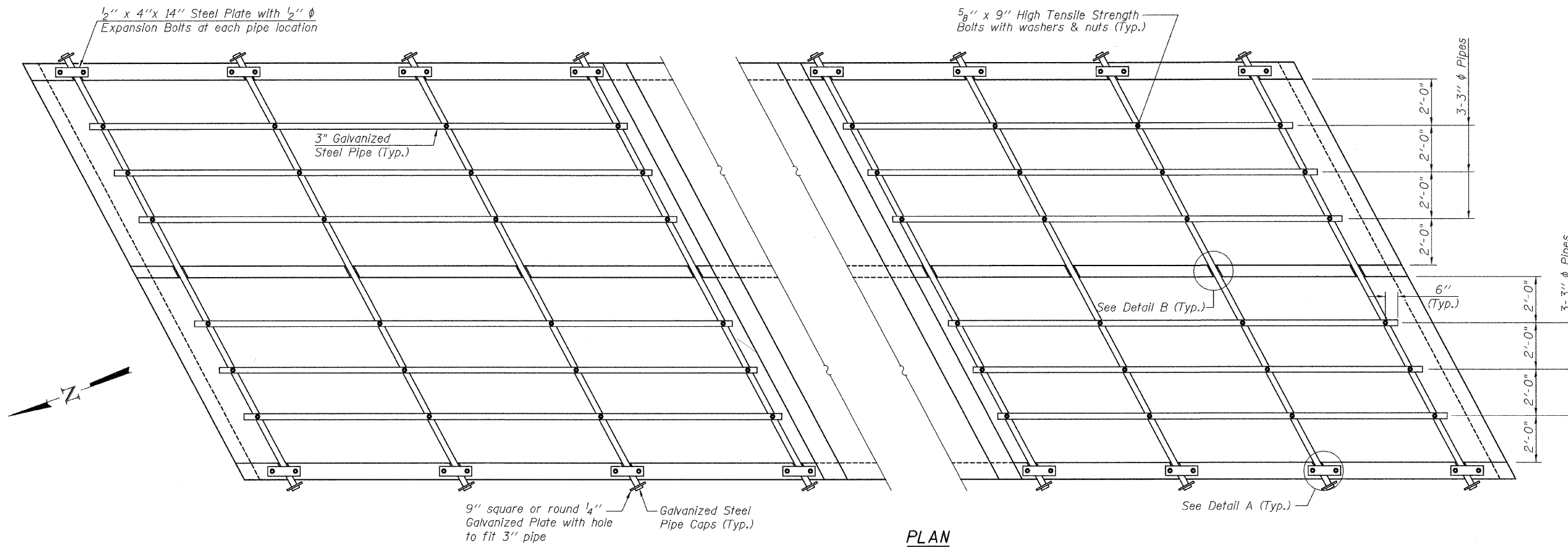
ROUTE NO.	SECTION	COUNTY	TOTAL SHEETS	SHEET	SHEET NO.
FAP 505	**	WINNEBAGO	335	157	4
FED. ROAD DIST. NO. 7		ILLINOIS	FED. AID PROJECT-		

SHEET NO. 4
5 SHEETS

Contract #64970
** (W-15d) T-1



ELEVATION
(Dimensions along centerline of culvert)



PLAN

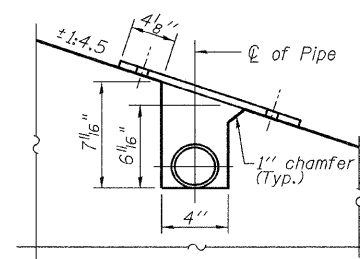
NOTES

Grating shall include pipes, plates, expansion bolts, and all other hardware as shown and shall be included with the contract unit price per Cu. Yd. for Concrete Box Culverts.

Bolts, Nuts, and Washers shall be in accordance with Article 1006.08 of the standard specification and shall be galvanized.

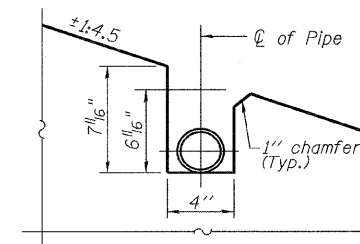
Steel Plates shall conform to AASHTO M-183 and shall be galvanized conforming to AASHTO M-111.

Steel pipes shall conform to A.S.T.M. A-53 (Type E or S) Grade B, Schedule 40, and shall be galvanized conforming to A.S.T.M. A-120. Contractor shall field verify pipe length.



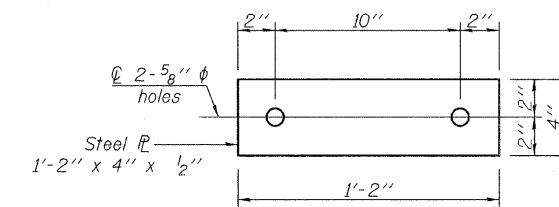
DETAIL A

Notch width perpendicular to pipe



DETAIL B

Notch width perpendicular to pipe



TOP ANCHOR PLATE

rjngroup

Excellence through Ownership

200 West Front Street
Wheaton, IL 60187

ILLINOIS DEPARTMENT OF TRANSPORTATION
CULVERT DETAILS III
IL 75 OVER UNNAMED TRIBUTARY
TO SOUTH BRANCH OTTER CREEK
FAP RTE 505 - SECTION (W-15d)T-1
WINNEBAGO COUNTY
STATION 11075+29.29
STRUCTURE NO. 101-1082

DATE: 3/03/2009

DRAWN BY JMT
CHECKED BY BLB