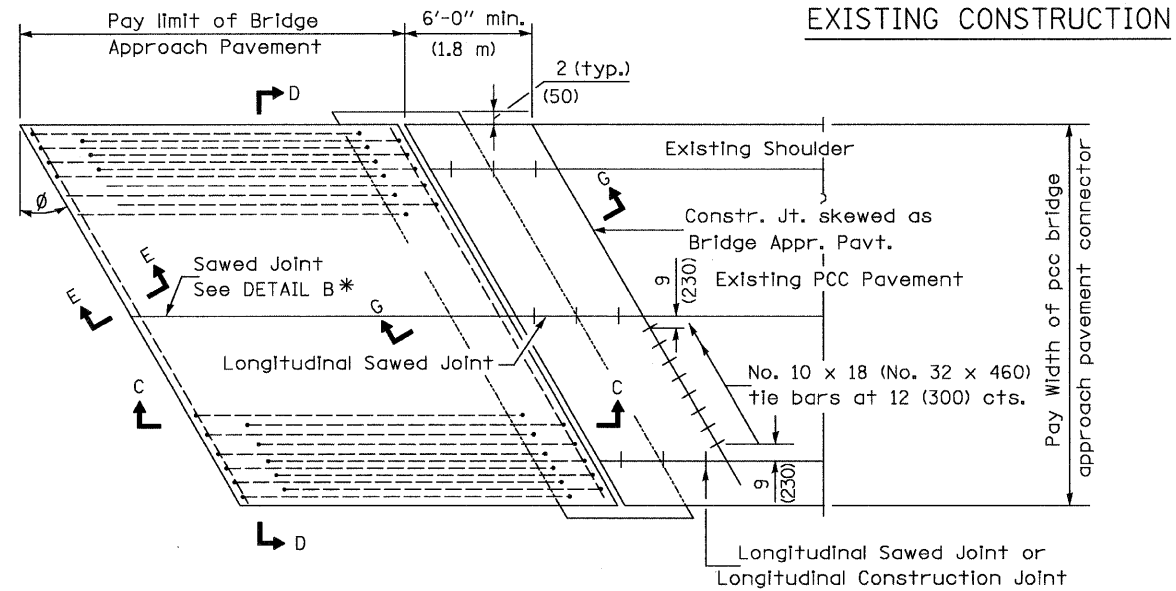
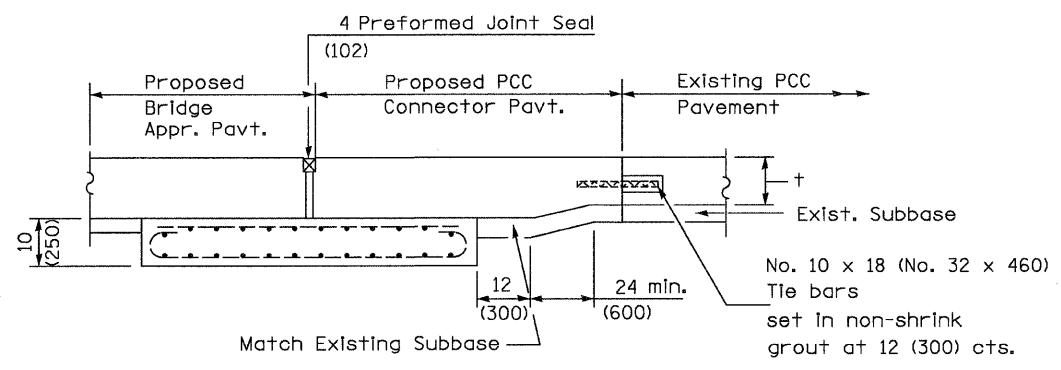


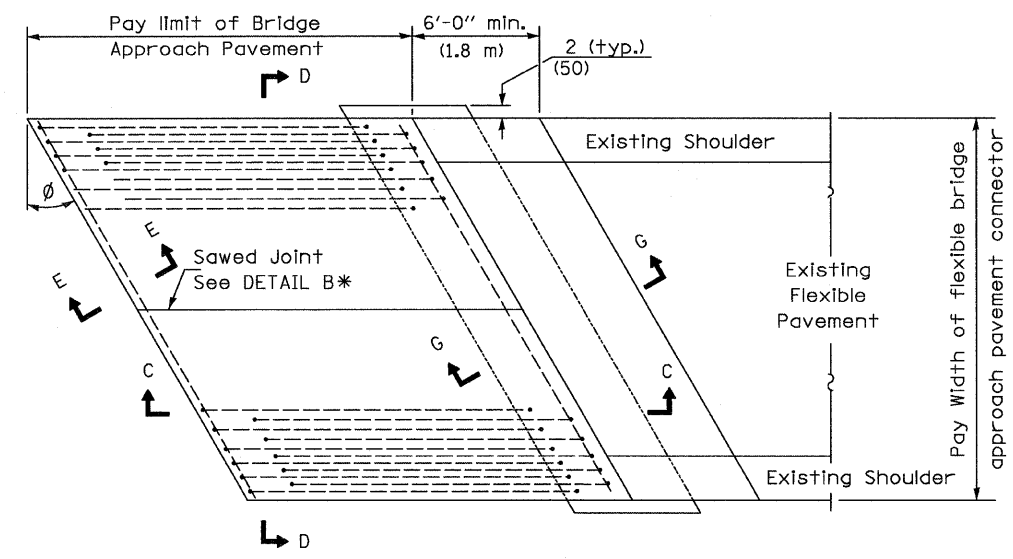
F.A.P. RTE.	SECTION	COUNTY	TOTAL SHEETS	SHEET NO.
505	111RS-4, 111BR-1, Y-15d-RS-1, & (W-15d)T-1	STEPHENSON & WINNEBAGO	335	161
STA.		TO STA.		
FED. ROAD DIST. NO. 2		ILLINOIS FED. AID PROJECT		
CONTRACT NO. 64970				



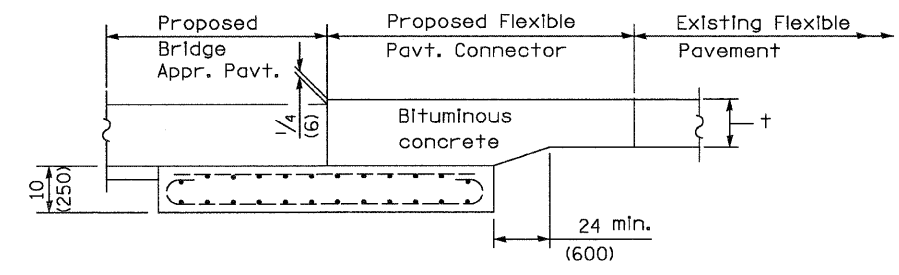
BRIDGE APPROACH PAVEMENT CONNECTOR (PCC)



SECTION G-G - RIGID PAVEMENT



BRIDGE APPROACH PAVEMENT CONNECTOR (FLEXIBLE)



SECTION G-G - FLEXIBLE PAVEMENT

PLOT DATE = 3/2/2009
 FILE NAME = K:\11195800\11_75_3P_East\CAD\Design\195800\11_Bridge\ApproachPavmt.dgn
 PLOT SCALE = 1/8" = 1'-0"
 PLOT NAME = Sheet 2
 MODEL = Sheet 2

REVISIONS	
NAME	DATE

ILLINOIS DEPARTMENT OF TRANSPORTATION
 F.A.P. ROUTE 505 (IL 75)

**ILLINOIS ROUTE 75
 BRIDGE APPROACH PAVEMENT DETAILS**
 (SHEET 2 of 4)

SCALE: VERT. DRAWN BY MTH
 HORIZ. CHECKED BY SPF
 DATE: 3/3/09