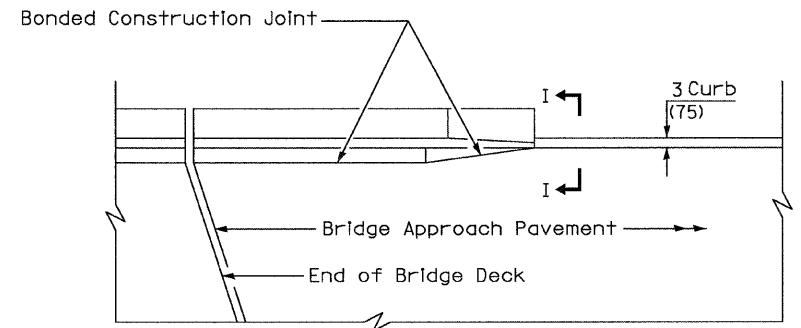
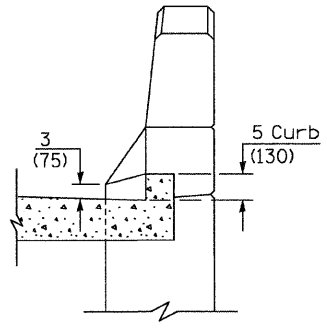


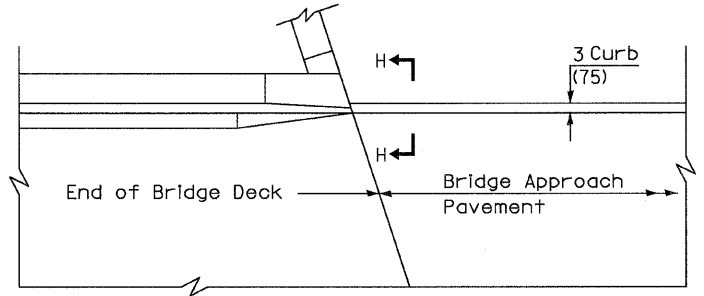
F.A.P. RTE.	SECTION	COUNTY	TOTAL SHEETS	SHEET NO.
505	111RS-4, 111BR-1, Yg-15d-RS-1, & (W-15d)T-1	STEPHENSON & WINNEBAGO	335	163
STA.		TO STA.		
FED. ROAD DIST. NO. 2		ILLINOIS FED. AID PROJECT		
CONTRACT NO. 64970				



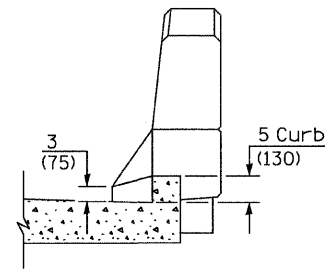
PARAPET TO CURB TRANSITION
PILE BENT ABUTMENT



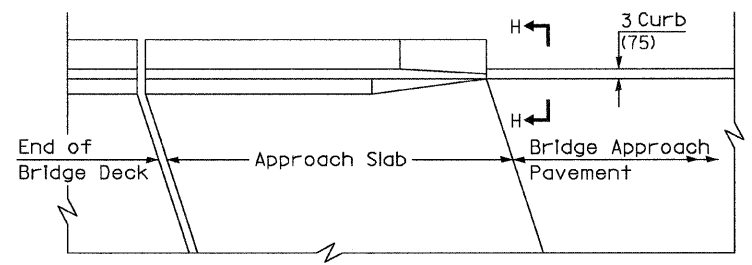
SECTION I - I



PARAPET TO CURB TRANSITION
INTEGRAL ABUTMENT



SECTION H - H



PARAPET TO CURB TRANSITION
VAULTED ABUTMENT

REVISIONS	
NAME	DATE

ILLINOIS DEPARTMENT OF TRANSPORTATION
F.A.P. ROUTE 505 (IL 75)
ILLINOIS ROUTE 75
BRIDGE APPROACH PAVEMENT DETAILS
(SHEET 4 of 4)
SCALE: VERT. _____
 HORIZ. _____
DATE: 3/3/09
DRAWN BY MTH
CHECKED BY SPF

PLOT DATE = 3/2/2009
FILE NAME = K:\11159580\1. 75.3P East\OADD\Design\195801_BridgeApproachPmt.dgn
PLOT SCALE = 1/8"=1'-0"
PLOT NAME = Sheet 4
MODEL =