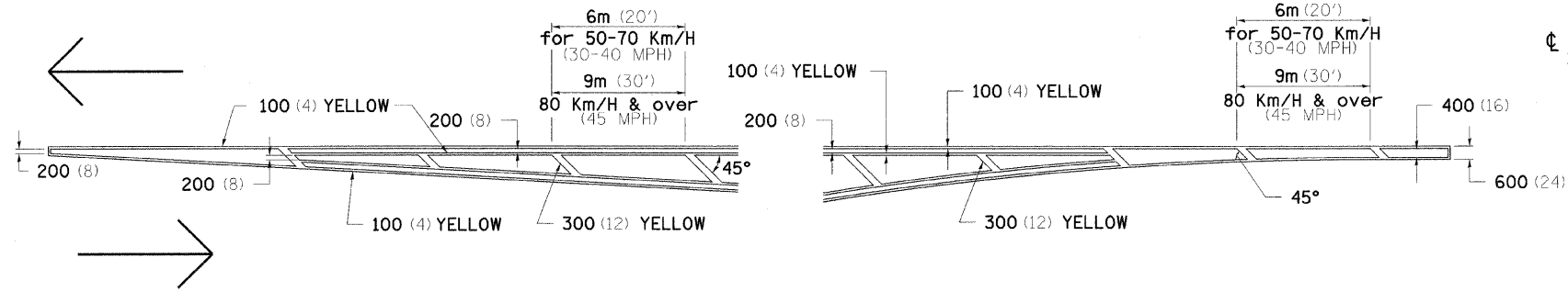
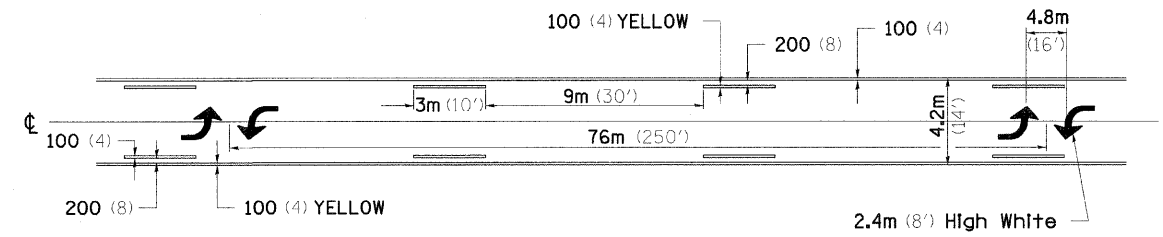


TYPICAL PAVEMENT MARKINGS

TYPICAL PAVEMENT MARKING FOR FLUSH MEDIAN AT LEFT TURN LANE

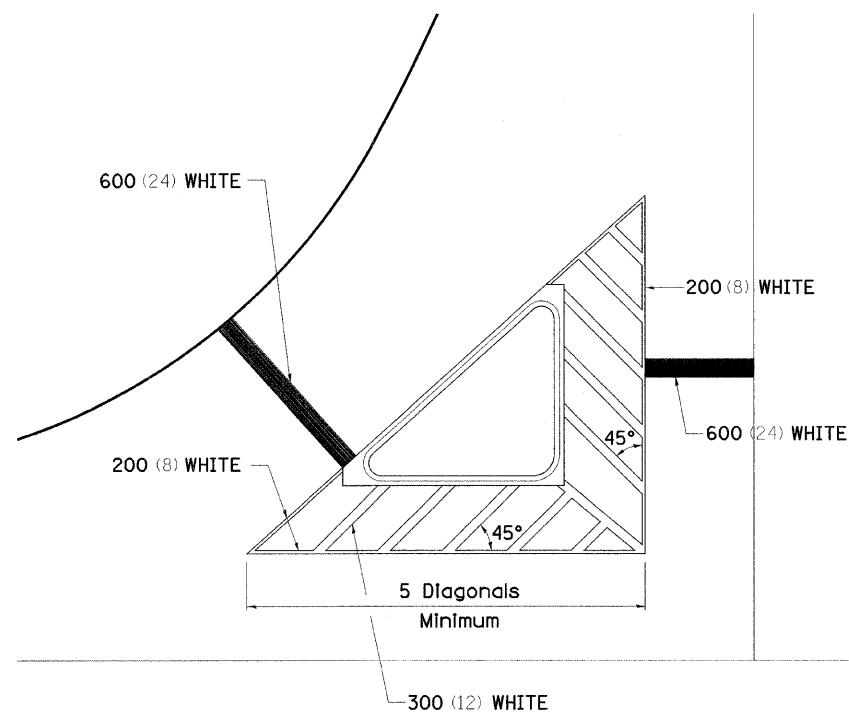


MEDIAN PAVEMENT MARKING

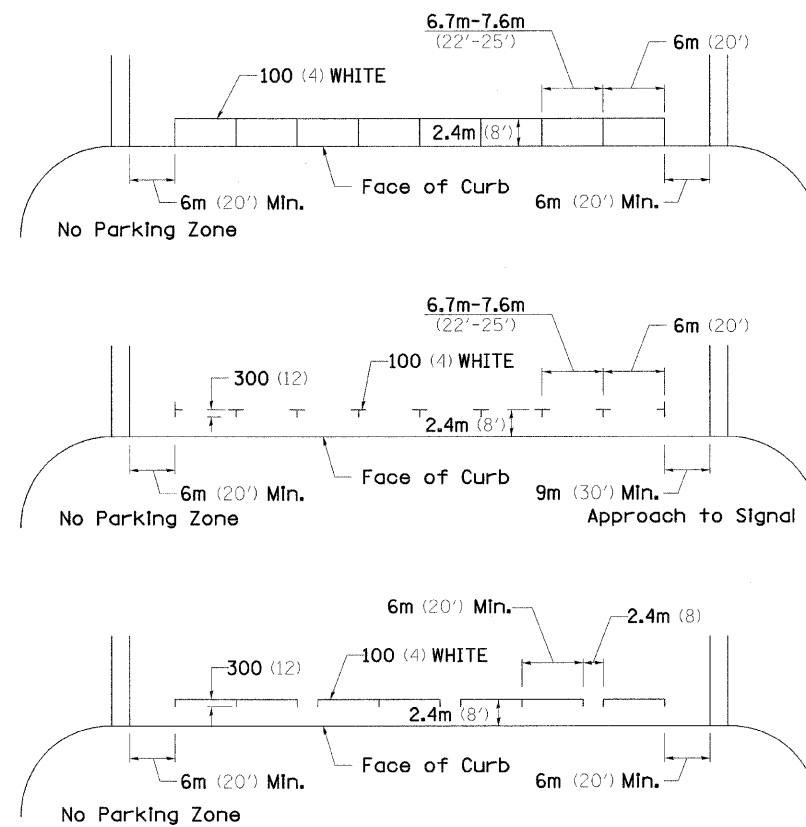


** ALL DIMENSIONS ARE IN MILLIMETERS (INCHES) UNLESS OTHERWISE NOTED.

TYPICAL ISLAND OFFSET SHOULDER WIDTH

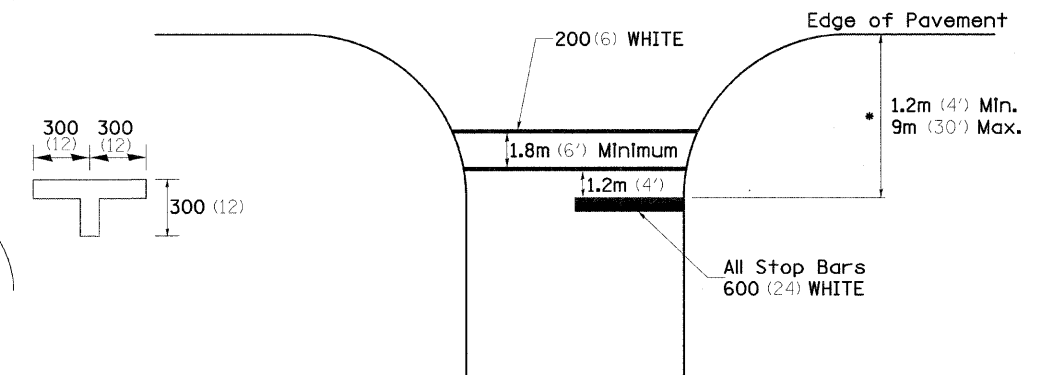


TYPICAL PARKING SPACING



STANDARD CROSSWALK MARKING

See Schedules for Locations



* Distance to the nearest edge of the intersecting roadway in the absence of a marked crosswalk.

PLOT DATE = 3/2/2009
 FILE NAME = K:\111958800\11 75-3p east\oad\design\1958801.Dist.Shd.dgn
 PLOT SCALE = 1:50
 USER NAME = J.Fraley
 PLOTTED = Dist.Shd.D8

FILE NAME =	USER NAME = #USER#	DESIGNED -	REVISED - 10-21-08
#FILEL#		DRAWN -	REVISED -
	PLOT SCALE = 1:50	CHECKED -	REVISED -
	PLOT DATE = 3/2/2009	DATE -	REVISED -

STATE OF ILLINOIS
 DEPARTMENT OF TRANSPORTATION

REGION 2 / DISTRICT 2 STANDARD

SCALE: 1:50 SHEET NO. OF SHEETS STA. TO STA.

*111RS-4, 111BR-1, Ya-15d-RS-1, & (W-15d)T-1			
F.A. RTE.	SECTION	COUNTY	TOTAL SHEETS
505	.	STEPHENSON	335
CONTRACT NO. 64970			SHEET NO. 171
FED. ROAD DIST. NO. 2 ILLINOIS FED. AID PROJECT			