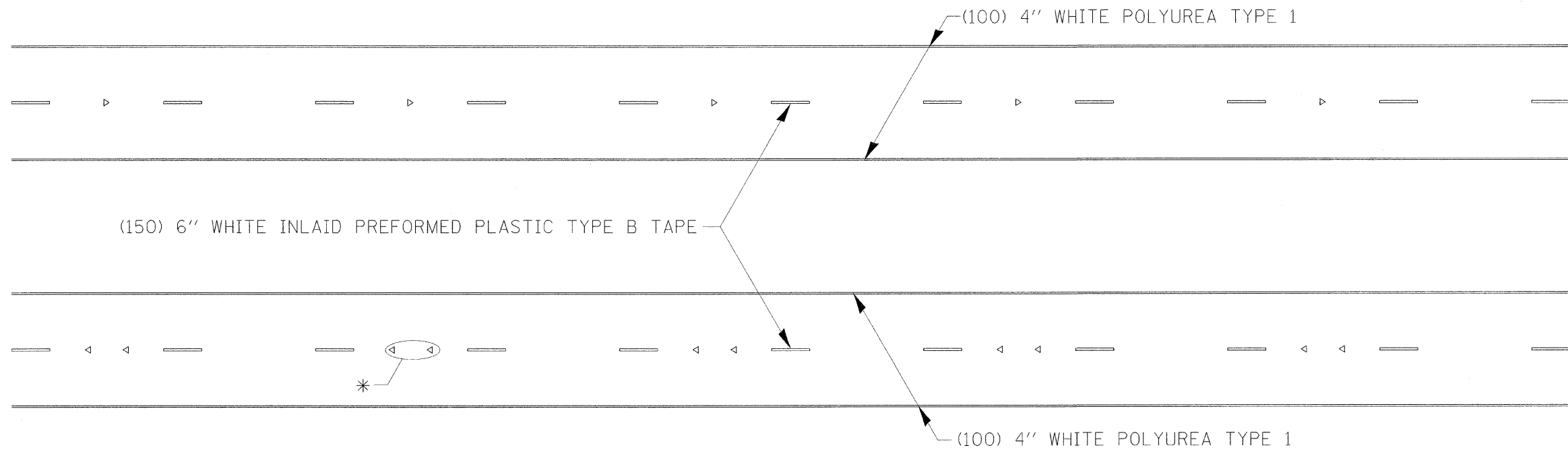
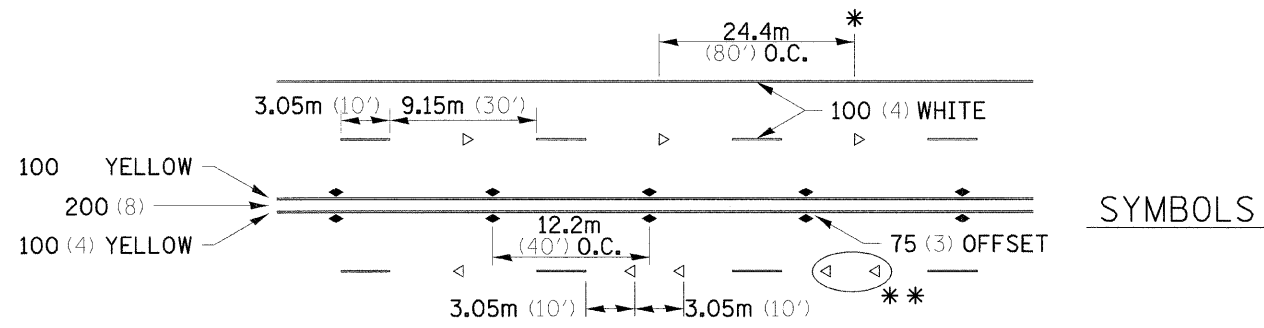


# TYPICAL PAVEMENT MARKINGS



\* SEE HIGHWAY STANDARD 781001 FOR SPACING DETAILS.  
USE DOUBLE MARKERS WHEN ADT  $\geq$  25,000.

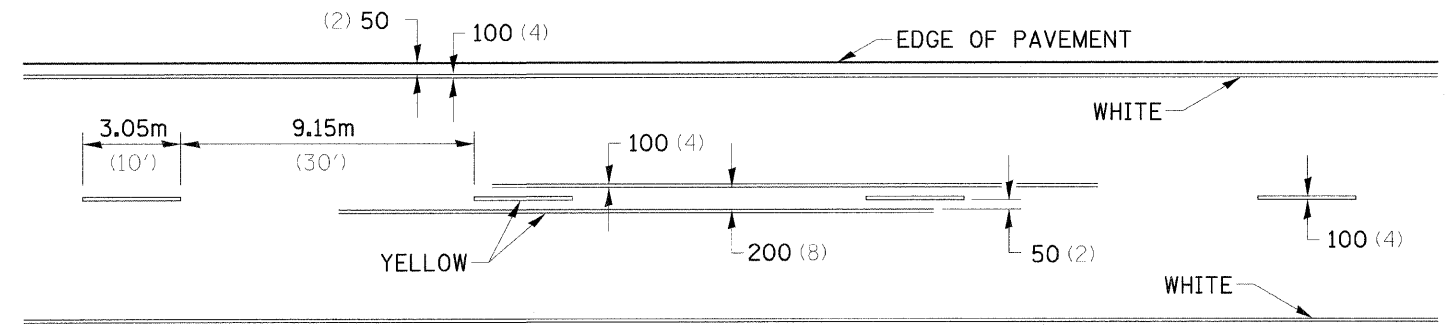
## MULTI-LANE / DIVIDED



\* REDUCE TO 12.2m (40') O.C. ON CURVES WHERE ADVISORY SPEEDS ARE 15Km/H (10MPH) LOWER THAN POSTED SPEEDS.  
\*\* USE DOUBLE MARKERS WHEN ADT  $\geq$  25,000

## MULTI-LANE / UNDIVIDED

## TYPICAL PAVEMENT MARKING FOR TWO LANE SECTION - NO PASSING ZONES



PLOT DATE = 3/2/2009  
 FILE NAME = I:\111958000\1175-3p\_essat\cadd\design\11958001.Dist.Stud.dgn  
 PLOT SCALE = 1:50  
 USER NAME = JTracy  
 MODEL = Dist Std 10

FILE NAME = #FILEL#	USER NAME = #USER#	DESIGNED -	REVISED - 10-21-08
		DRAWN -	REVISED -
	PLOT SCALE = 1:50	CHECKED -	REVISED -
	PLOT DATE = 3/2/2009	DATE -	REVISED -

STATE OF ILLINOIS  
DEPARTMENT OF TRANSPORTATION

REGION 2 / DISTRICT 2 STANDARD

SCALE: 1:50 SHEET NO. OF SHEETS STA. TO STA.

*111RS-4, 111BR-1, Yg-15d-RS-1, & (W-15d)T-1			
F.A. RTE. 505	SECTION .	COUNTY STEPHENSON	TOTAL SHEETS 335
		SHEET NO. 173	CONTRACT NO. 64970
FED. ROAD DIST. NO. 2 ILLINOIS FED. AID PROJECT			