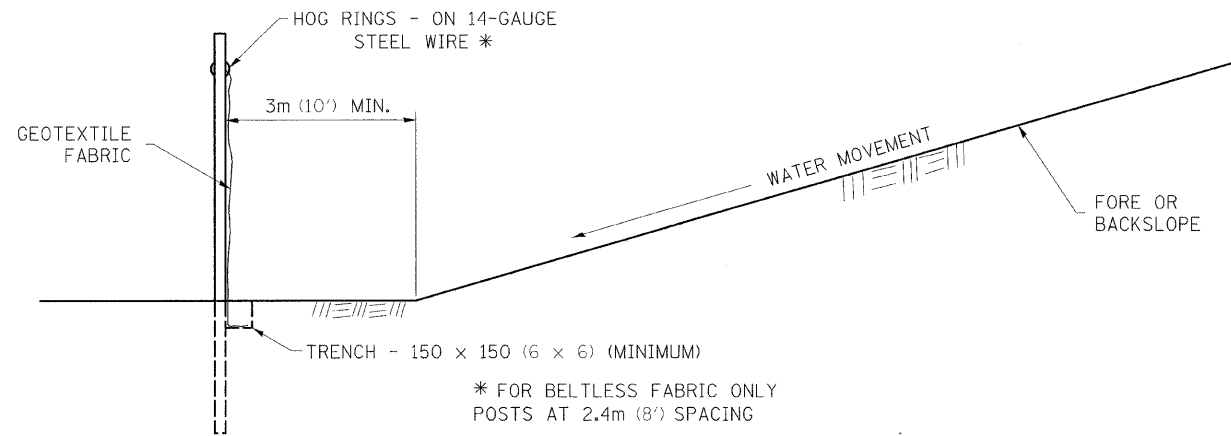
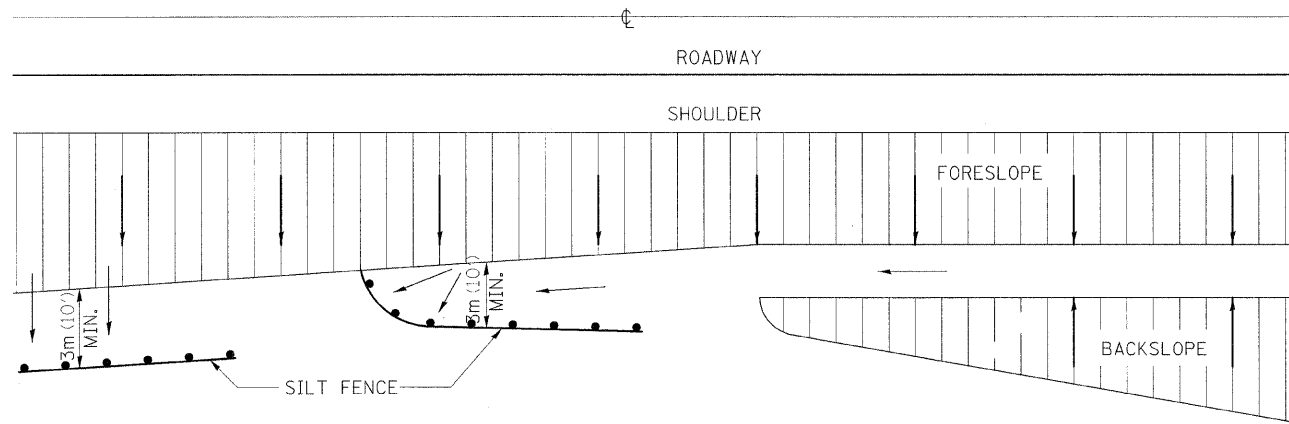


EROSION CONTROL DETAILS FOR SILT FENCE



DETAILS OF SILT FENCE

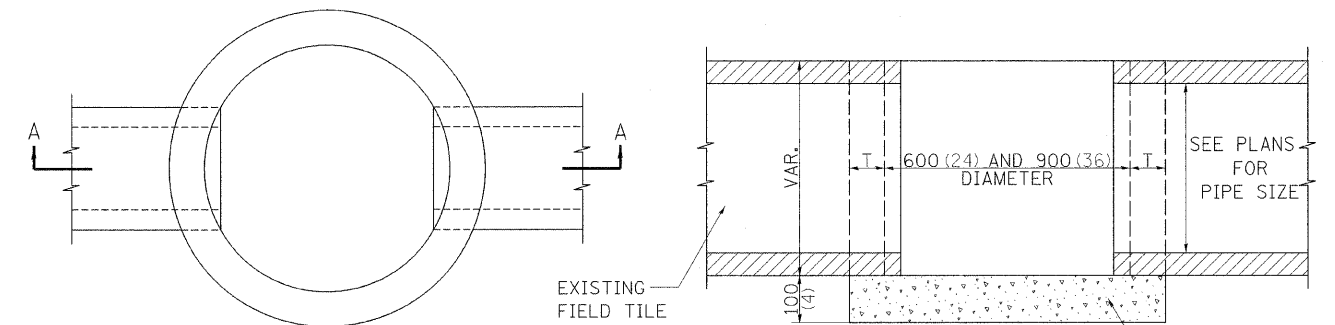
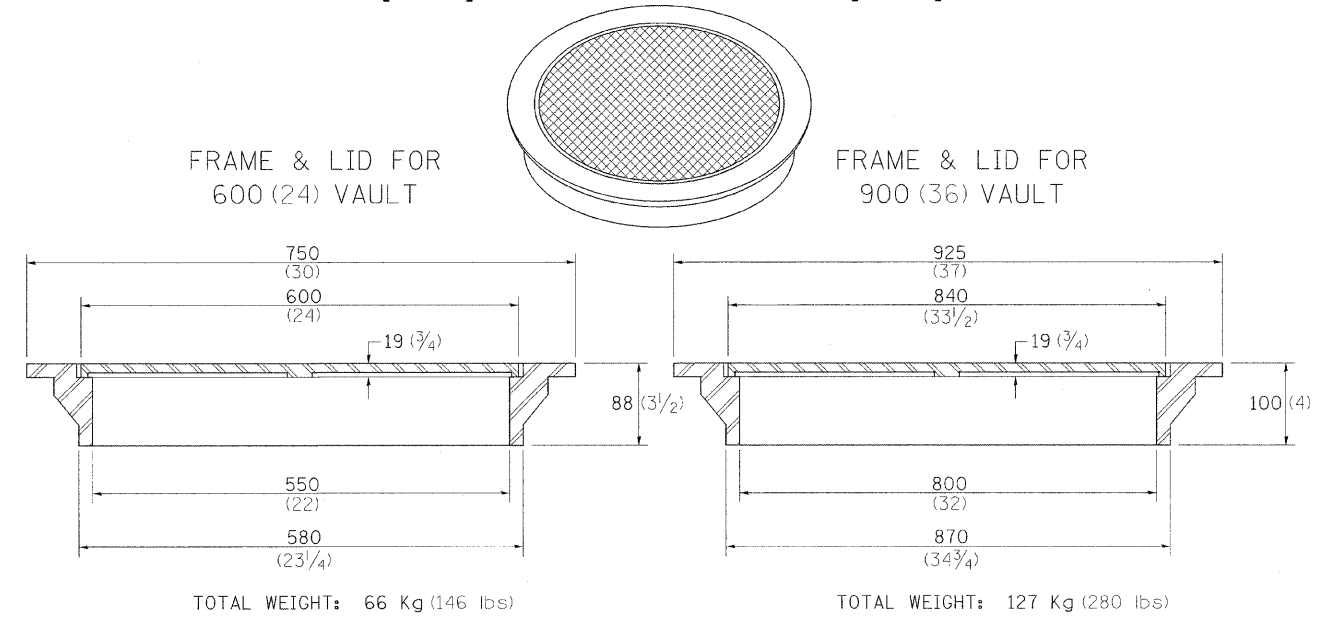
ALL DIMENSIONS ARE IN MILLIMETERS (INCHES) UNLESS OTHERWISE NOTED.

REVISED - 10-22-01

EROSION CONTROL DETAILS FOR SILT FENCE

29.2

FIELD TILE JUNCTION VAULTS 600 (24) AND 900 (36) DIA.



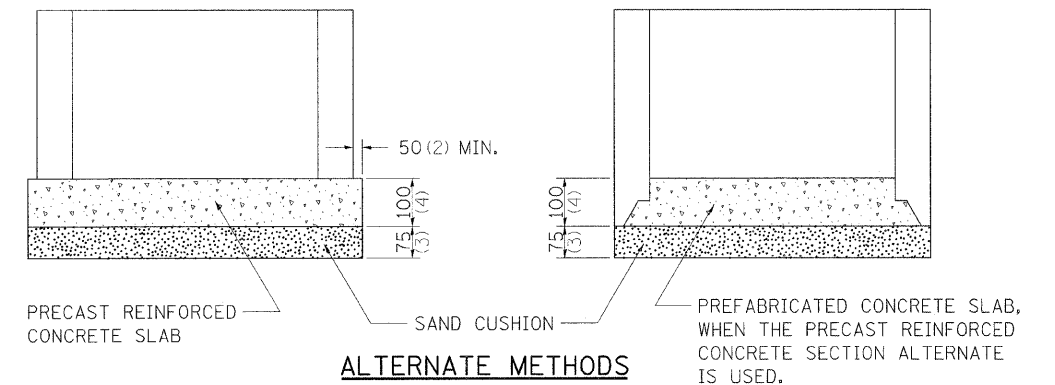
PLAN

ALTERNATE MATERIALS FOR WALLS	T
BRICK MASONRY	200 (8)
CAST-IN-PLACE CONCRETE	150 (6)
CONCRETE MASONRY UNIT	125 (5)
PRECAST REINFORCED CONCRETE SECTION	75 (3)

SECTION A-A

NOTE: THE FRAME AND LID IS REQUIRED ON ALL JUNCTION VAULTS.

ALL DIMENSIONS ARE IN MILLIMETERS (INCHES) UNLESS OTHERWISE NOTED.



ALTERNATE METHODS

REVISED - 5-03-94

FIELD TILE JUNCTION VAULTS 600 (24) AND 900 (36) DIA. 30.2

REVISED -	REVISED -	REVISED -	REVISED -	SCALE: 1/8" = 1'-0"	SHEET NO. OF SHEETS	STA. TO STA.	F.A. RTE. 505	SECTION *	COUNTY STEPHENSON	TOTAL SHEETS 335	SHEET NO. 176
REGION 2 / DISTRICT 2 STANDARD							CONTRACT NO. 64970		*111RS-4, 111BR-1, Yg-15d-RS-1, & (W-15d)T-1		
FED. ROAD DIST. NO. 2 ILLINOIS FED. AID PROJECT											

PLOT DATE = 3/2/2009
 FILE NAME = K:\111RS080\111_75_3P_East\CAUD\Design\1969001_Dist_Std.dgn
 PLOT SCALE = 1:50
 USER NAME = JFreeby
 MODEL = Dist Std 14