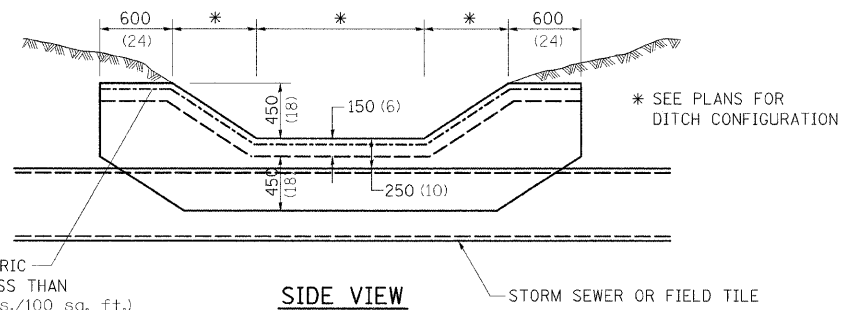
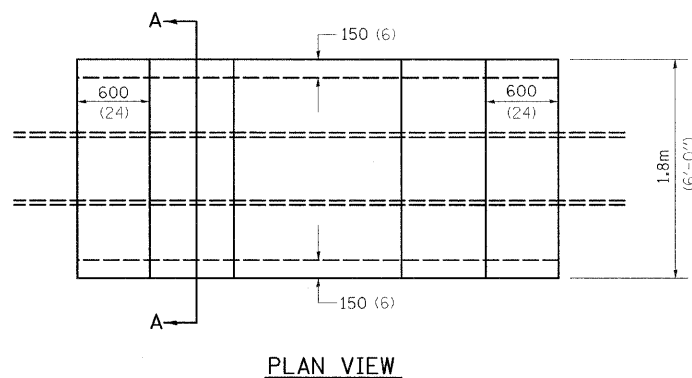
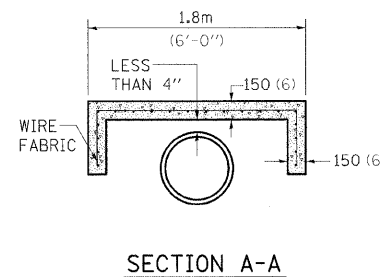


# TREATMENT OF FIELD TILE SYSTEMS UNDER DITCHES

**PAVED DITCH**  
TO BE USED IF COVER OVER THE PIPE AT THE BOTTOM OF THE DITCH IS LESS THAN 250mm (10 inches)

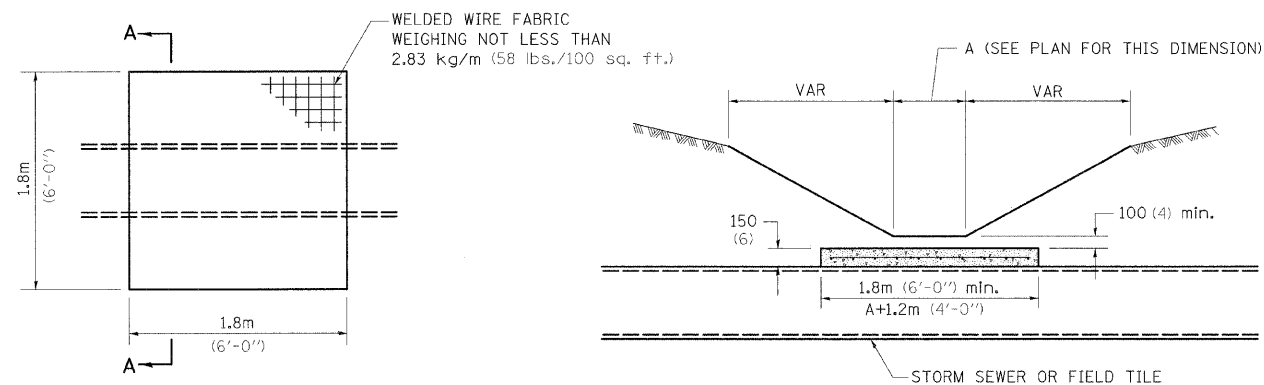


WELDED WIRE FABRIC WEIGHING NOT LESS THAN 2.83 kg/m (58 lbs./100 sq. ft.)



## CONCRETE SLAB

TO BE USED IF COVER OVER THE PIPE AT THE BOTTOM OF THE DITCH IS 250mm (10 inches) TO 600mm (24 inches)



## NOTES

THIS WORK SHALL BE DONE IN ACCORDANCE WITH ARTICLE 611.04 OF THE STANDARD SPECIFICATION.

THE CONCRETE SLAB AND PAVED DITCH WILL BE PAID FOR AT THE CONCRETE UNIT PRICE PER CUBIC METER (CUBIC YARD) FOR MISCELLANEOUS CONCRETE.

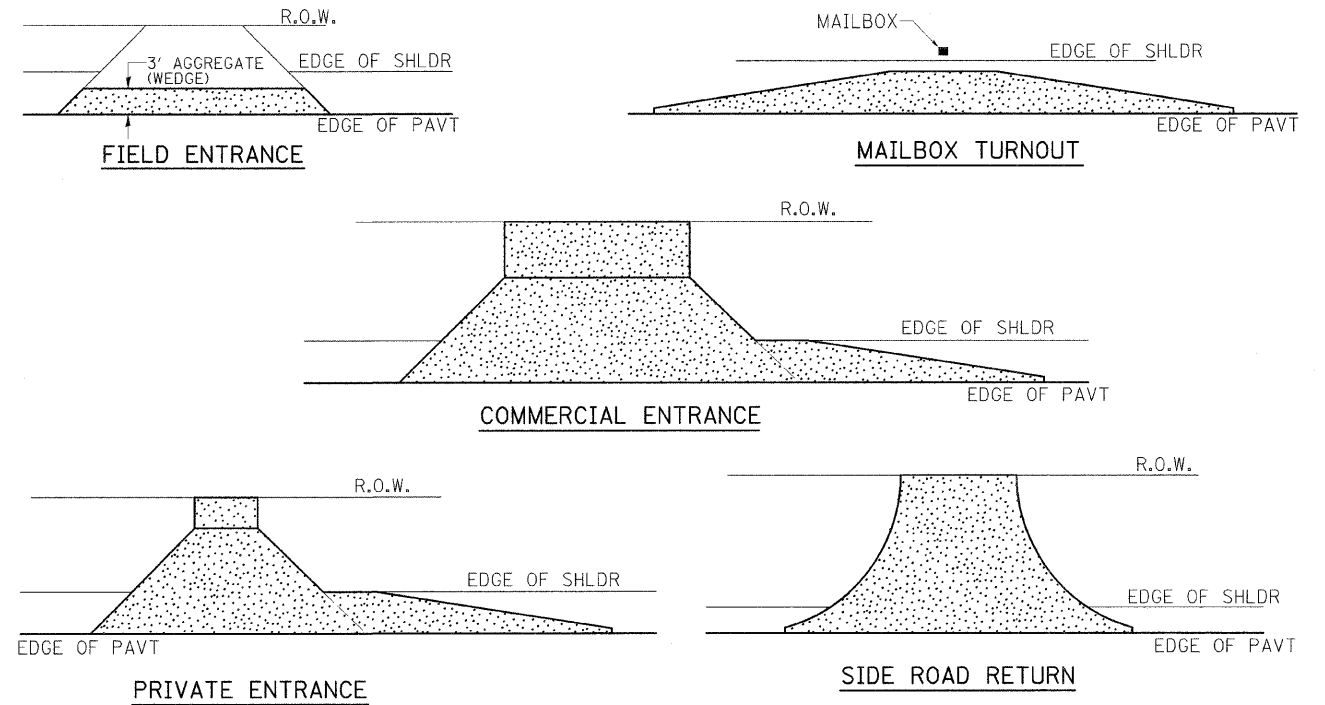
ALL DIMENSIONS ARE IN MILLIMETERS (INCHES) UNLESS OTHERWISE NOTED.

REVISED - 10-15-04

# TREATMENT OF FIELD TILE SYSTEMS UNDER DITCHES

31.2

# HOT-MIX ASPHALT APPROACHES & MAILBOX RETURNS FOR TWO LIFT (3P) RESURFACING PROJECTS

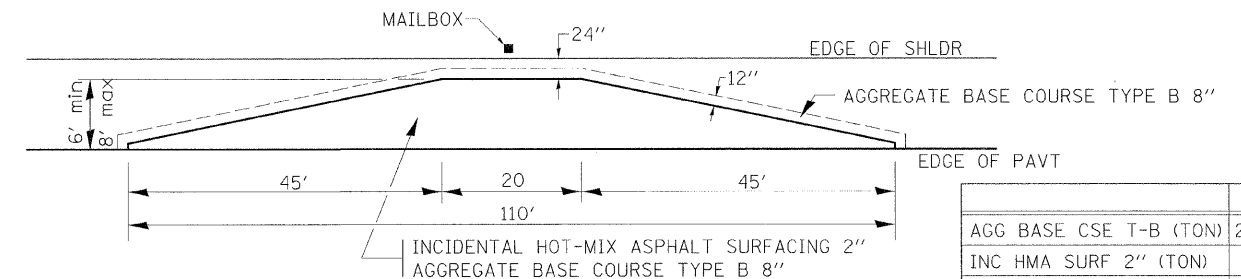


**NOTE:** EXISTING HMA PE's, CE's, SR's, & MB TURNOUTS  
Place 2 1/4" Incidental Hot-Mix Asphalt Surfacing #40800050 on entrance to conform to the existing configuration.

**EXISTING AGG. PE's & CE's**  
Place 2" Incidental Hot-Mix Asphalt Surfacing #40800050 on existing entrance to conform to the present configuration.

**EXISTING AGG. SIDEROADS**  
Place 3" Incidental Hot-Mix Asphalt Surfacing #40800050 on sideroad to conform to the present configuration.

**EXISTING AGG. MAILBOX TURNOUTS**  
Existing Agg. Mailbox Turnouts shall be constructed as shown below.



REVISED - 10-21-08

# HOT-MIX ASPHALT APPROACHES & MAILBOX RETURNS FOR TWO LIFT (3P) RESURFACING PROJECTS

47.2

PLOT DATE = 3/2/2009  
FILE NAME = I:\111958800\11 75-3p east\cadd\design\1958801.Dist\_Std.dgn  
PLOT SCALE = 1:50  
USER NAME = JTracey  
MODEL = Dist Std IS

REVISED -	REGION 2 / DISTRICT 2 STANDARD			F.A. RTE.	SECTION	COUNTY	TOTAL SHEETS	SHEET NO.
REVISED -	SCALE: 1:50	SHEET NO.	OF SHEETS	STA.	TO STA.	STEPHENSON	335	177
REVISED -				FED. ROAD DIST. NO. 2 ILLINOIS FED. AID PROJECT		CONTRACT NO. 64970		

\*111RS-4, 111BR-1, Yg-15d-RS-1, & (W-15d)T-1