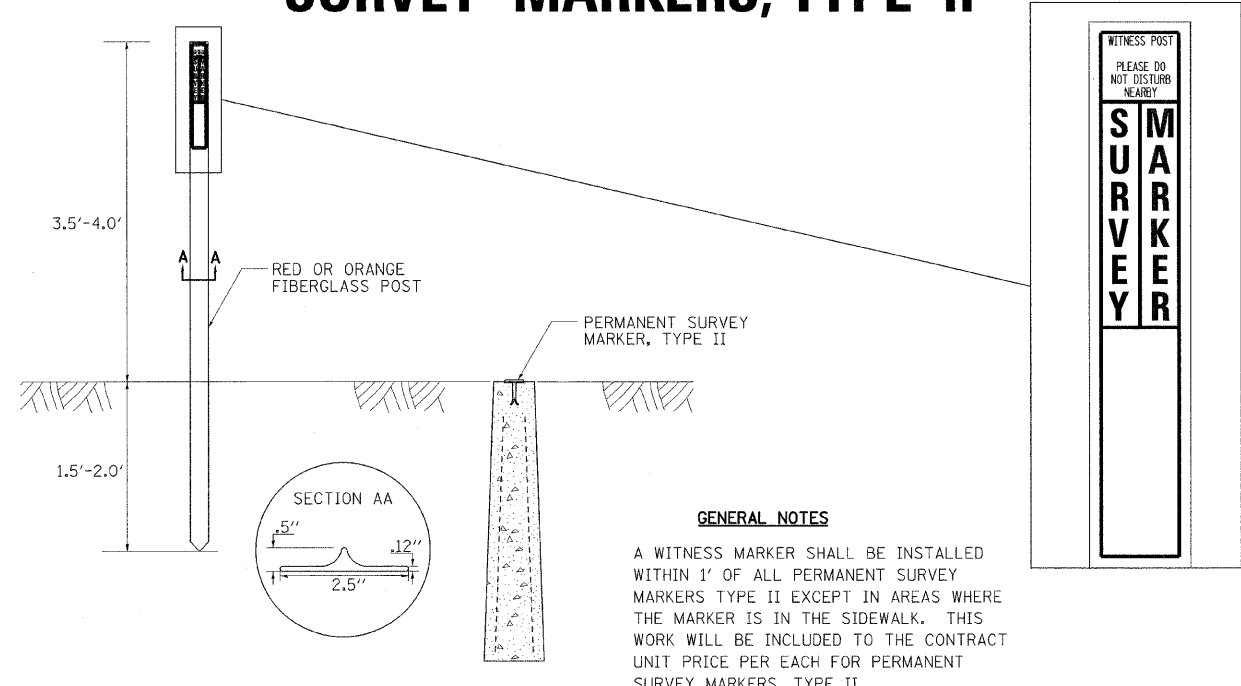
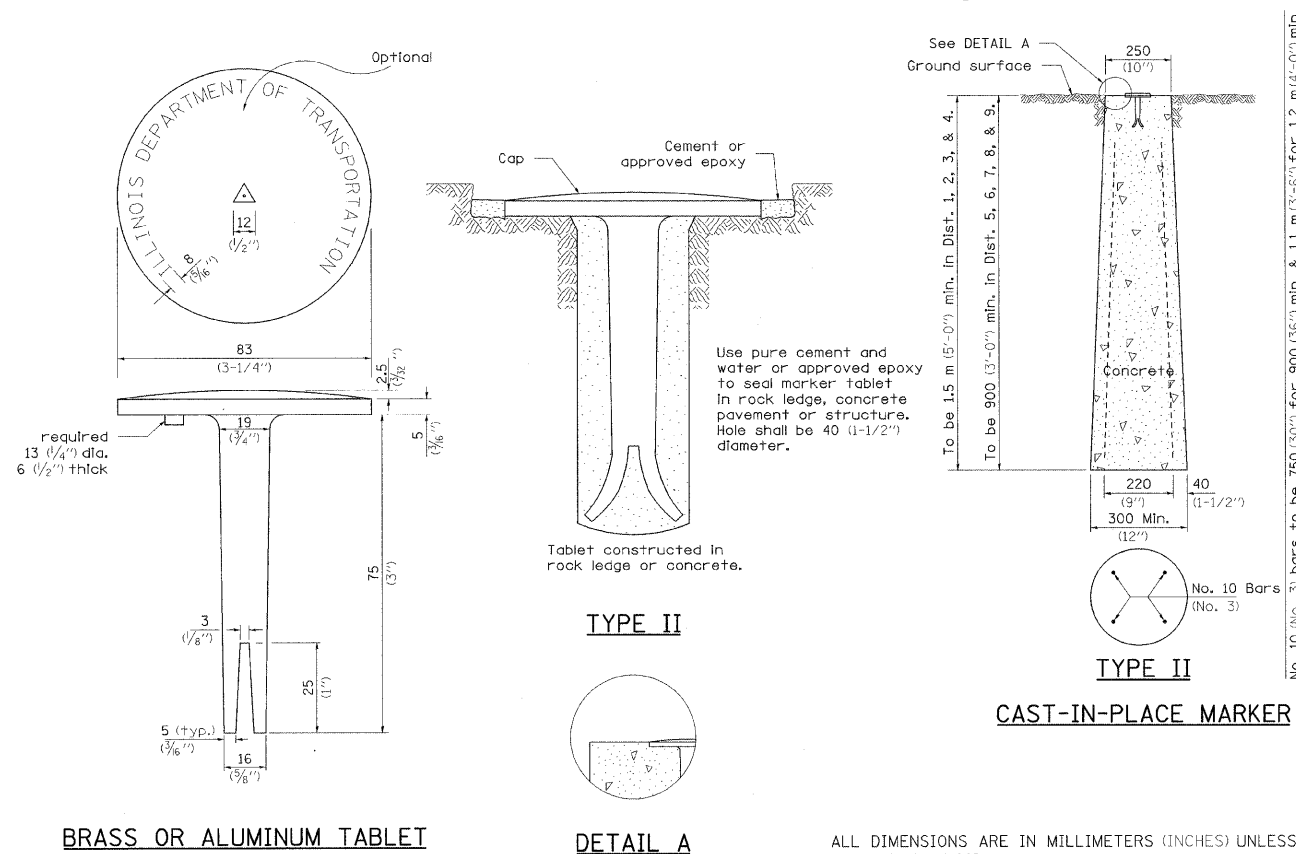


WITNESS MARKER FOR PERMANENT SURVEY MARKERS, TYPE II



PERMANENT SURVEY MARKERS, TYPE II



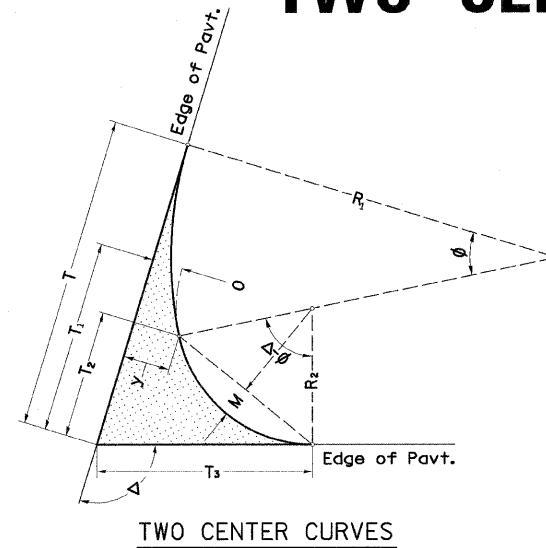
BRASS OR ALUMINUM TABLET

DETAIL A

REVISED - 10-21-08

WITNESS MARKER & PERMANENT SURVEY MARKERS, TYPE II 66.2

TWO CENTER CURVE DATA



REVISED - 3-22-90

CURVE #	75/70 #1	75/70 #2	75/70 #3	75/70 #4
R ₁	420	360	360	360
R ₂	70	60	90	60
O	10	10	10	10
Δ	91°09'03"	88°50'57"	91°44'48"	88°15'12"
T	154.69	135.42	165.89	134.7
T ₁	71.62	58.61	93.09	57.89
T ₂	55	43.24	68.82	42.53
T ₃	81.42	68.81	102.79	68.2
y	12	12	13.33	12
4y/9	5.33	5.33	5.93	5.33
y/9	1.33	1.33	1.48	1.33
M	15.38	12.09	19.13	11.9
15M/16	14.42	11.33	17.93	11.16
3M/4	11.53	9.06	14.35	8.92
7M/16	6.73	5.29	8.37	5.21
C	87.55	72.23	110.95	71.73

CURVE #	75/CEDARVILLE #5	FRITZ/LEECH #11	70/LEECH #8	75/LEECH #9	75/LEECH #10
R ₁	200	460	300	200	250
R ₂	45	60	50	60	50
O	15	12	15	10	10
Δ	124°15'32"	88°53'25"	74°46'00"	90°27'12"	90°14'53"
T	161.83	163.48	119.57	112.54	116.02
T ₁	95.31	85.58	34.10	60.55	50.27
T ₂	76.00	42.85	17.01	38.27	33.83
T ₃	103.24	72.85	53.82	70.49	61.33
y	19.35	16.10	18.08	14.30	13.90
4y/9	8.60	7.16	8.04	6.36	6.18
y/9	2.15	1.79	2.01	1.59	1.54
M	15.73	11.98	5.60	10.45	9.31
15M/16	14.75	11.23	5.25	9.80	8.73
3M/4	11.80	8.99	4.20	7.84	6.98
7M/16	6.88	5.24	2.45	4.57	4.07
C	68.36	71.96	46.00	67.67	58.11

TWO AND THREE CENTER CURVE DATA 92.2

*111RS-4, 111BR-1, Yg-15d-RS-1, & (W-15d)T-1

REVISION	REGION 2 / DISTRICT 2 STANDARD	F.A. RTE.	SECTION	COUNTY	TOTAL SHEETS	SHEET NO.
REVISION		505		STEPHENSON	335	178
REVISION	SCALE: 1:50	SHEET NO. OF SHEETS STA. TO STA.		CONTRACT NO. 64970		
REVISION	FED. ROAD DIST. NO. 2 ILLINOIS FED. AID PROJECT					

PLOT DATE = 3/2/2009
 FILE NAME = k:\111\98860\11 75-3p east\cead\design\98860.Dwg.Std.dgn
 PLOT SCALE = 1:50
 USER NAME = JTreacy
 MODEL = Data Std 16