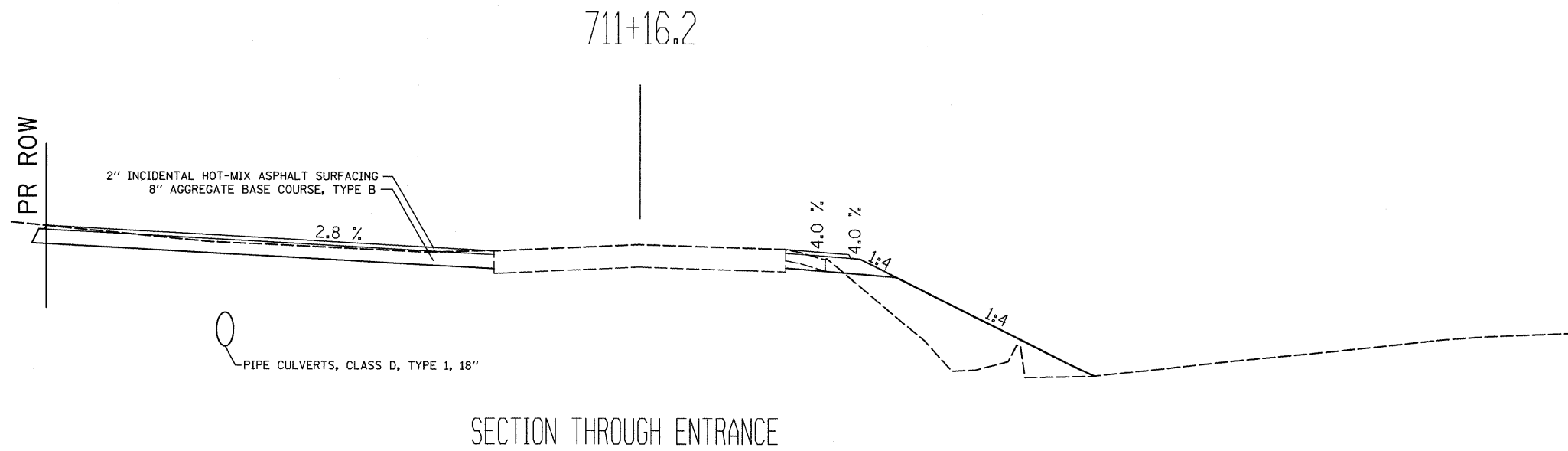
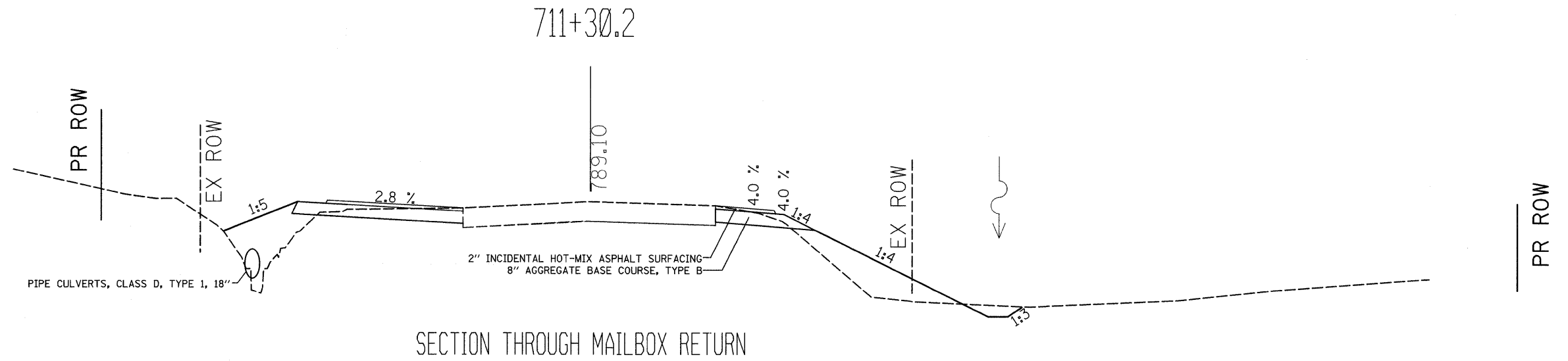


# TYPICAL SECTIONS



FILE NAME =	USER NAME = fordjd	DESIGNED -	REVISED -	<b>STATE OF ILLINOIS DEPARTMENT OF TRANSPORTATION</b>	<b>IL 40</b>				F.A.P. RTE.	SECTION	COUNTY	TOTAL SHEETS	SHEET NO.	
c:\pw\work\PWIDOT\FORDJD\dms33783\0264\12-shr-typical.dgn		DRAWN -	REVISED -		SCALE:	SHEET NO.	OF	SHEETS	STA.	TO STA.	646	4T-2	Carroll	63 12
		CHECKED -	REVISED -		CONTRACT NO. 64D12									
		DATE -	REVISED -		ILLINOIS FED. AID PROJECT									