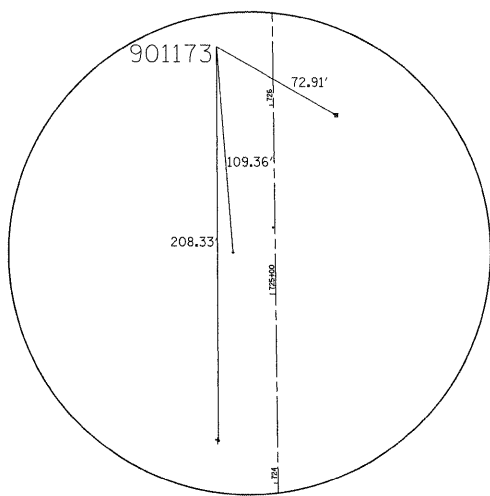
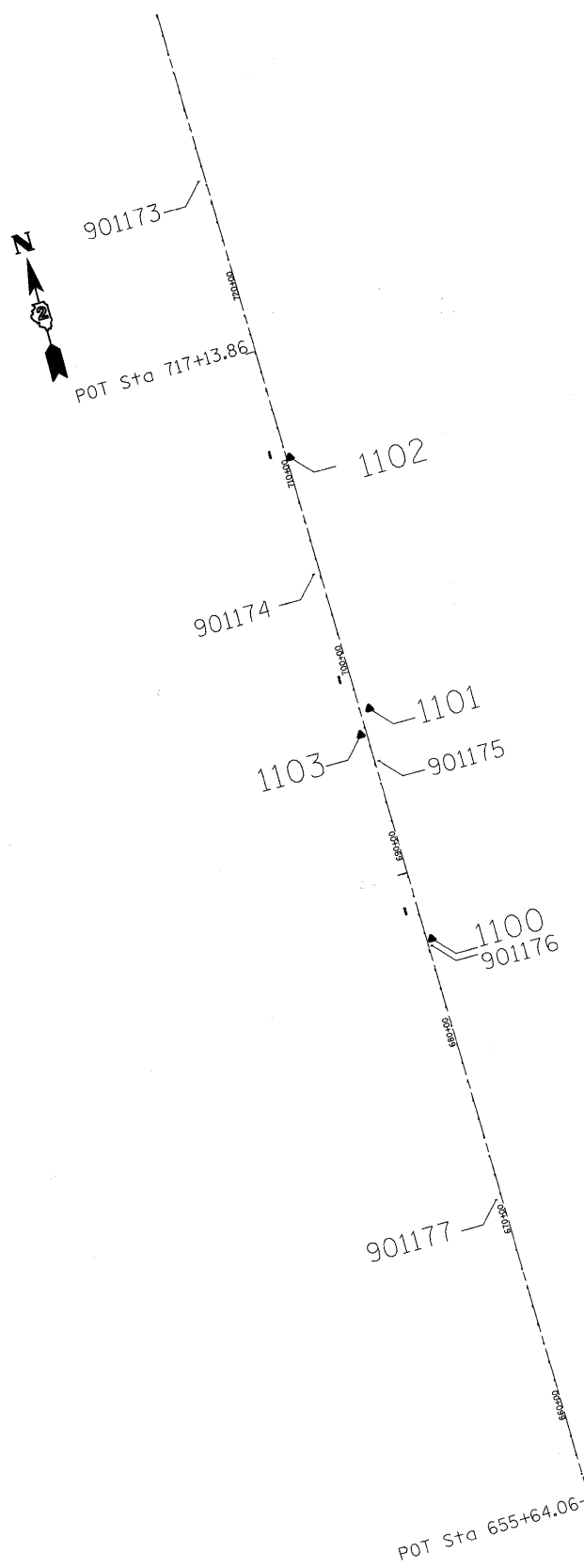
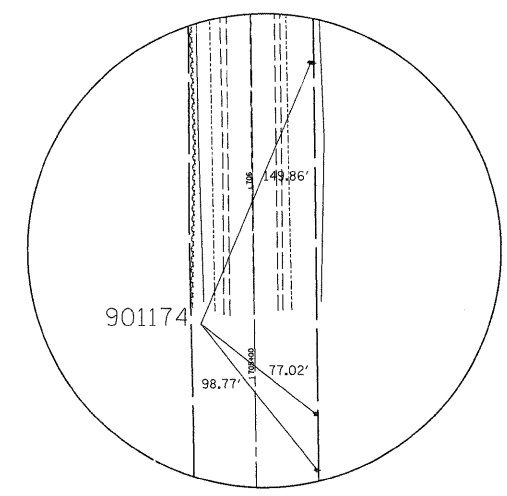


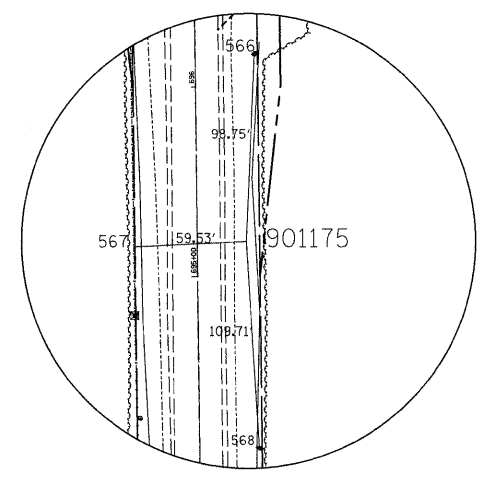
# HORIZONTAL & VERTICAL CONTROL



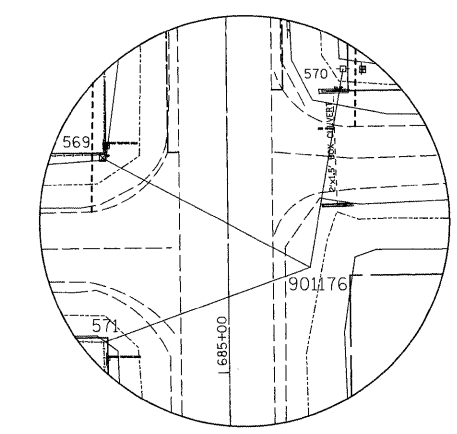
901173



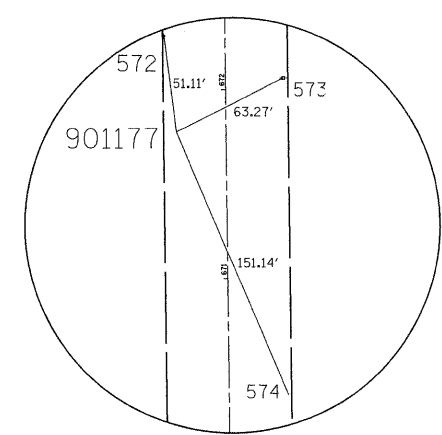
901174



901175



901176



901177

Curve Data

Course from PT 330 to 1066 359° 08' 54.9872" Dist 2,155.6446'  
 Point 1066 N 1,952,958.7414 E 2,369,313.9666 Sta 655+64.0599  
 Course from 1066 to 1067 359° 12' 37.3178" Dist 3,365.0150'  
 Point 1067 N 1,956,323.4368 E 2,369,267.5924 Sta 689+29.0749  
 Course from 1067 to 1068 359° 09' 59.4431" Dist 2,784.7819'  
 Point 1068 N 1,959,107.9240 E 2,369,227.0833 Sta 717+13.8567  
 Course from 1068 to PC 340 359° 11' 14.6304" Dist 4,205.3259'

FILE NAME =	USER NAME = fordjd	DESIGNED -	REVISED -
c:\pwork\PWIDOT\FORDJD\dms33783\026412-sh1-AT8.dgn		DRAWN -	REVISED -
PLOT SCALE = 50.0000' / IN.		CHECKED -	REVISED -
PLOT DATE = Fri Mar 13 12:06:15 2009		DATE -	REVISED -

STATE OF ILLINOIS  
DEPARTMENT OF TRANSPORTATION

IL 40

SCALE:	SHEET NO.	OF	SHEETS	STA.	TO STA.	F.A.P. RTE.	SECTION	COUNTY	TOTAL SHEETS	SHEET NO.
						646	4T-2	Carroll	63	23
						CONTRACT NO.				
						FED. ROAD DIST. NO. ILLINOIS FED. AID PROJECT				