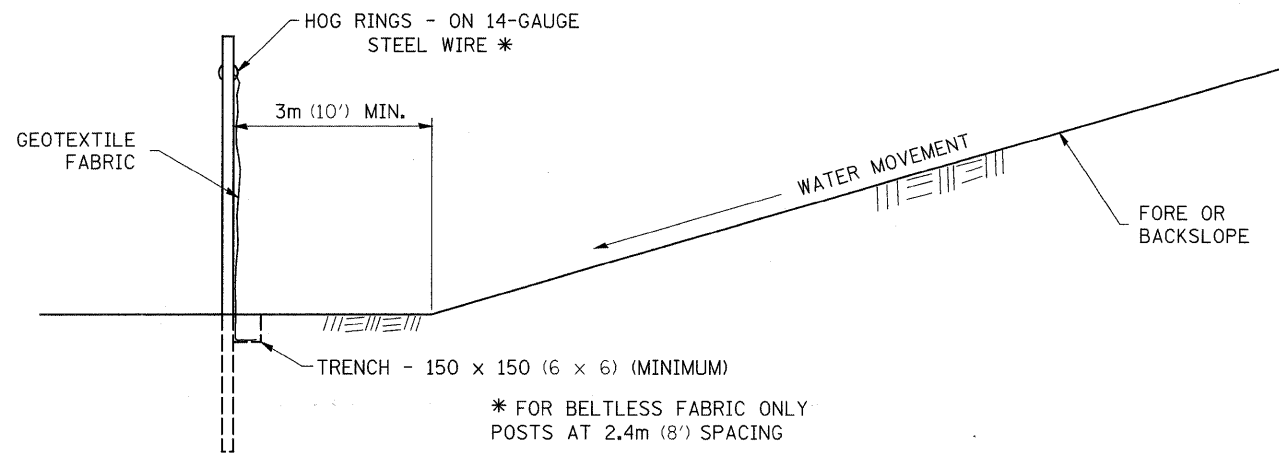
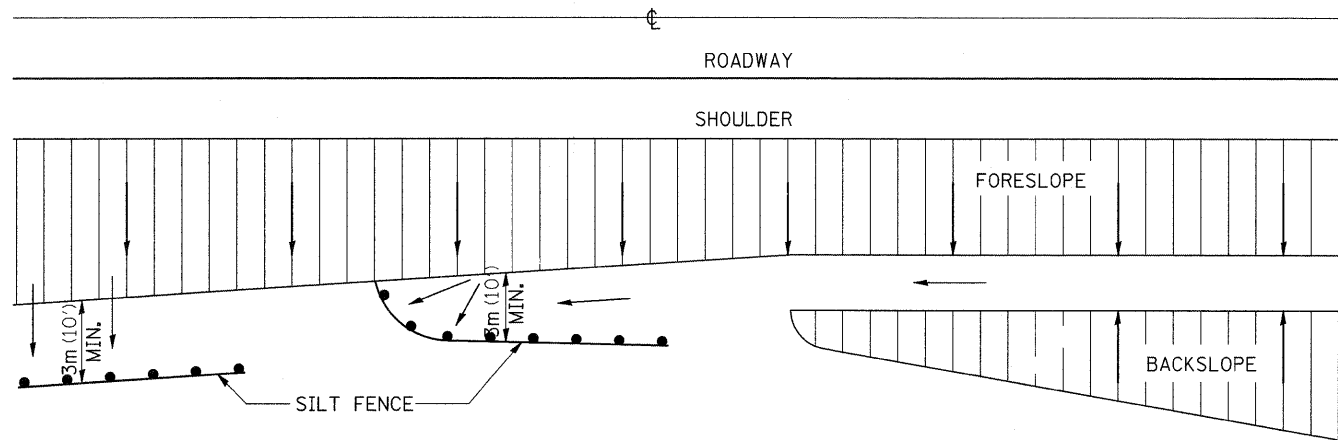


EROSION CONTROL DETAILS FOR SILT FENCE

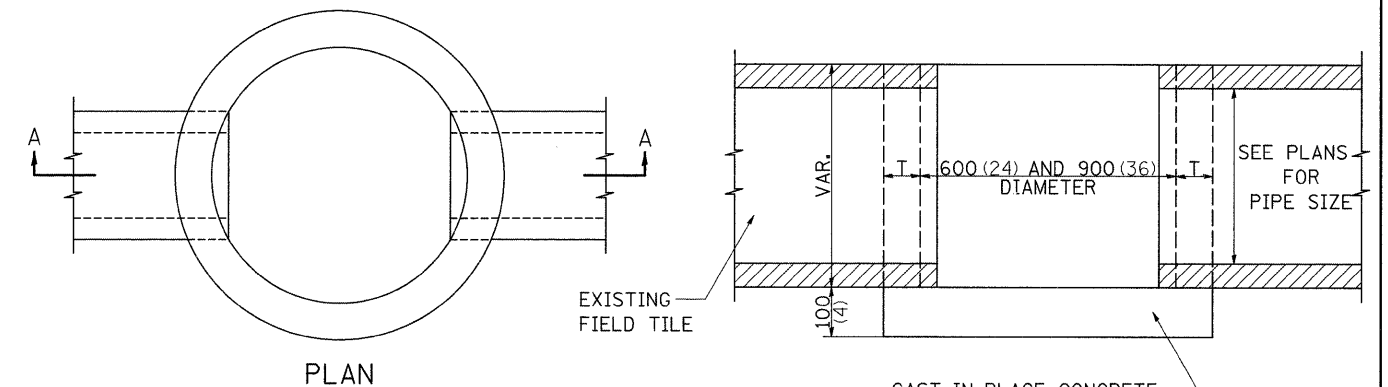
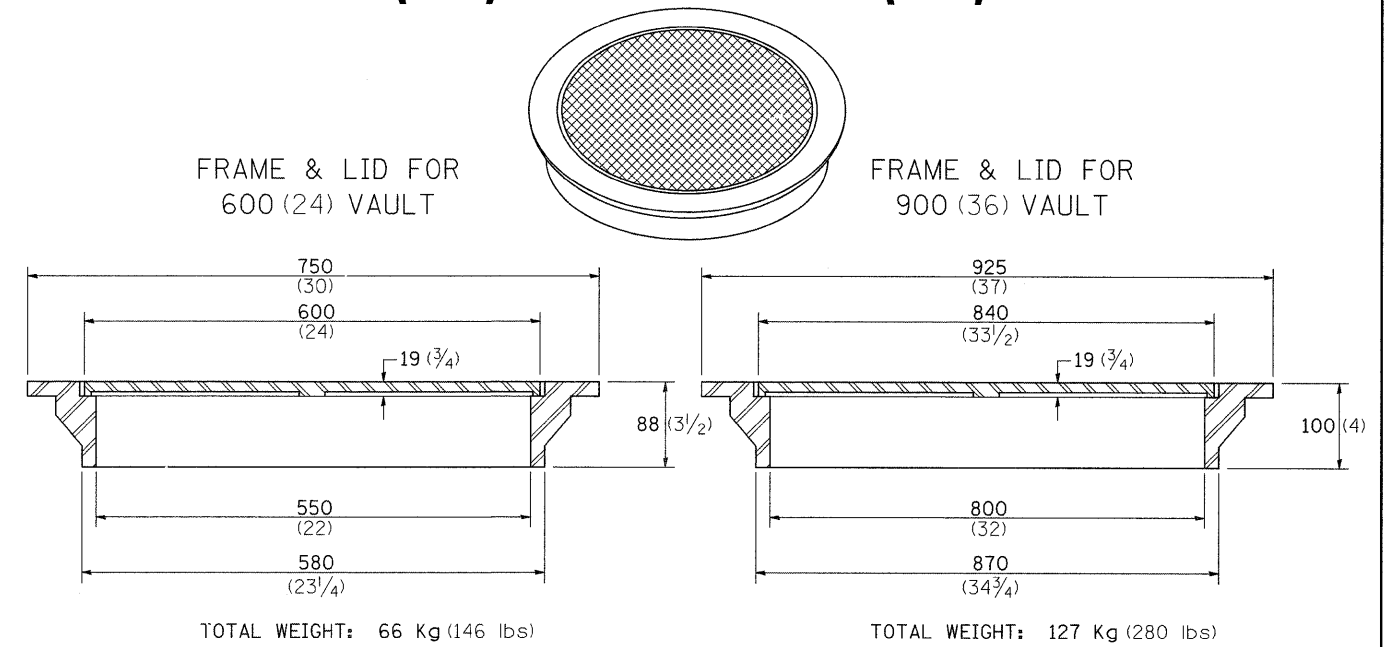


DETAILS OF SILT FENCE

ALL DIMENSIONS ARE IN MILLIMETERS (INCHES) UNLESS OTHERWISE NOTED.

REVISED - 10-22-01

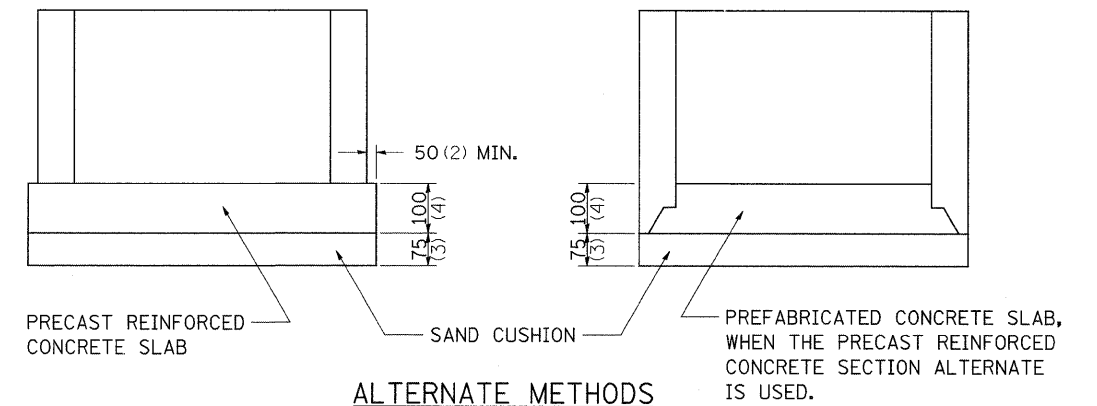
FIELD TILE JUNCTION VAULTS 600 (24) AND 900 (36) DIA.



ALTERNATE MATERIALS FOR WALLS	T
BRICK MASONRY	200 (8)
CAST-IN-PLACE CONCRETE	150 (6)
CONCRETE MASONRY UNIT	125 (5)
PRECAST REINFORCED CONCRETE SECTION	75 (3)

NOTE: THE FRAME AND LID IS REQUIRED ON ALL JUNCTION VAULTS.

ALL DIMENSIONS ARE IN MILLIMETERS (INCHES) UNLESS OTHERWISE NOTED.



ALTERNATE METHODS

REVISED - 5-03-94	REGION 2 / DISTRICT 2 STANDARD	F.A.P. RTE. 646	SECTION 4T-2	COUNTY CARROLL	TOTAL SHEETS 63	SHEET NO. 30
REVISED -		CONTRACT NO. 64D12				
REVISED -		FED. ROAD DIST. NO. ILLINOIS FED. AID PROJECT				
REVISED -		SCALE: 50.0000' / 1" SHEET NO. OF SHEETS STA. TO STA.				