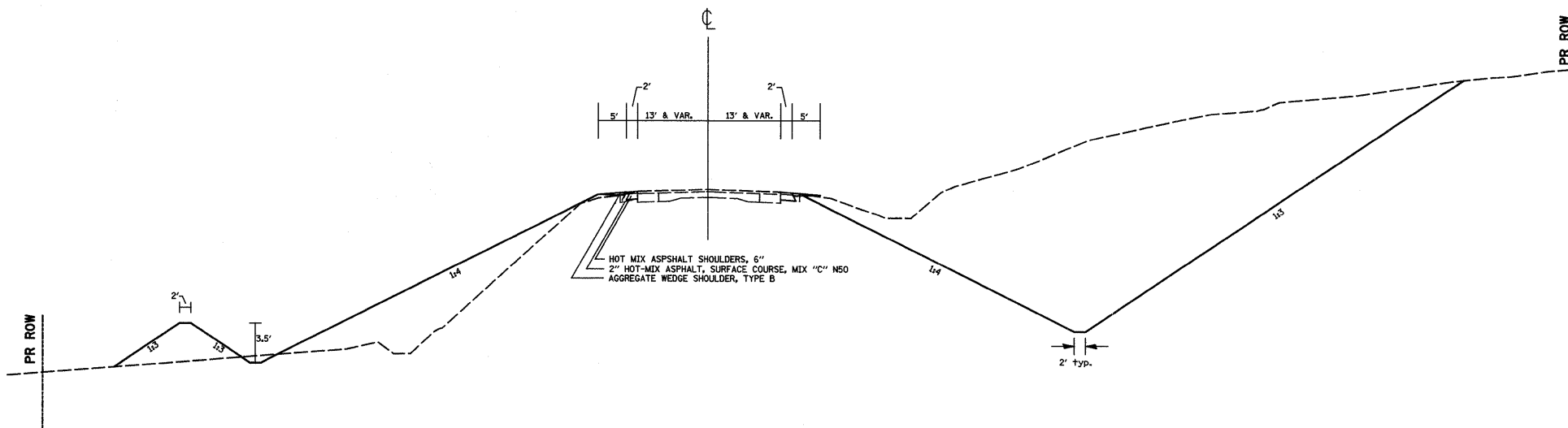
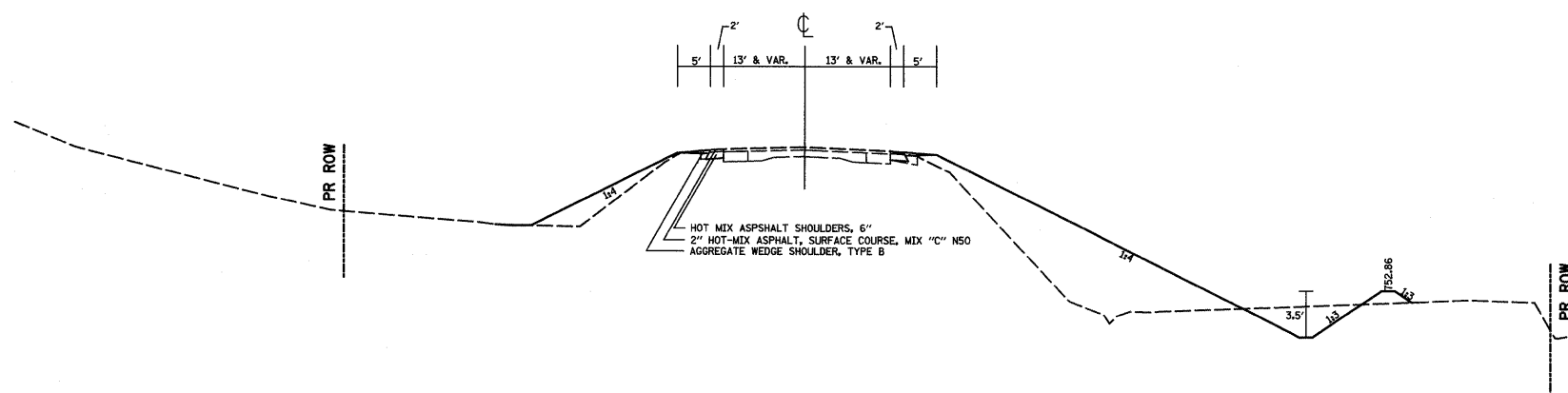


TYPICALS

US150
787+00 - 789+50



US150
785+50
791+50 - 793+00



US150
790+00 - 791+00

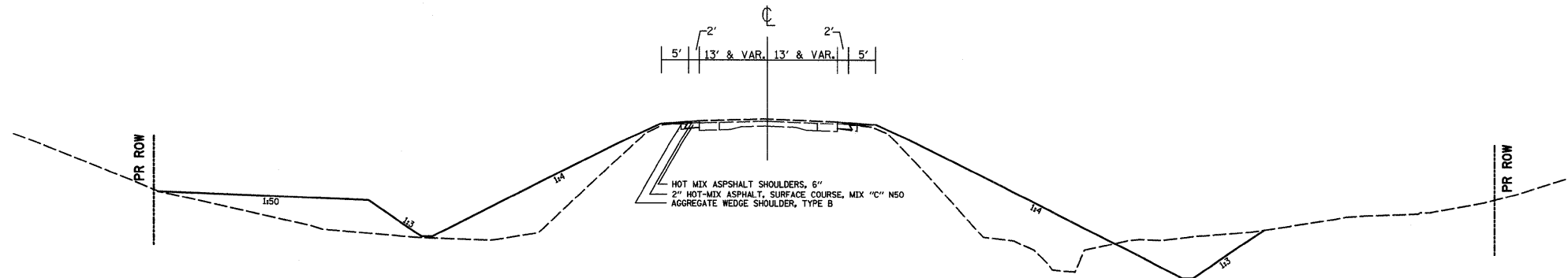


Figure 4 Sheet 1 of 2

FILE NAME =	USER NAME = fordjd	DESIGNED -	REVISED -	STATE OF ILLINOIS DEPARTMENT OF TRANSPORTATION	US 150				F.A.S. RTE.	SECTION	COUNTY	TOTAL SHEETS	SHEET NO.		
c:\pwork\PWIDOT\FORDJD\dms33831\0264113-shr-typical.dgn		DRAWN -	REVISED -		SCALE:	SHEET NO.	OF	SHEETS	STA.	TO STA.	1188	118T	Henry	52	4
		CHECKED -	REVISED -						CONTRACT NO. 64D13						
		DATE -	REVISED -						FED. ROAD DIST. NO.	ILLINOIS FED. AID PROJECT					