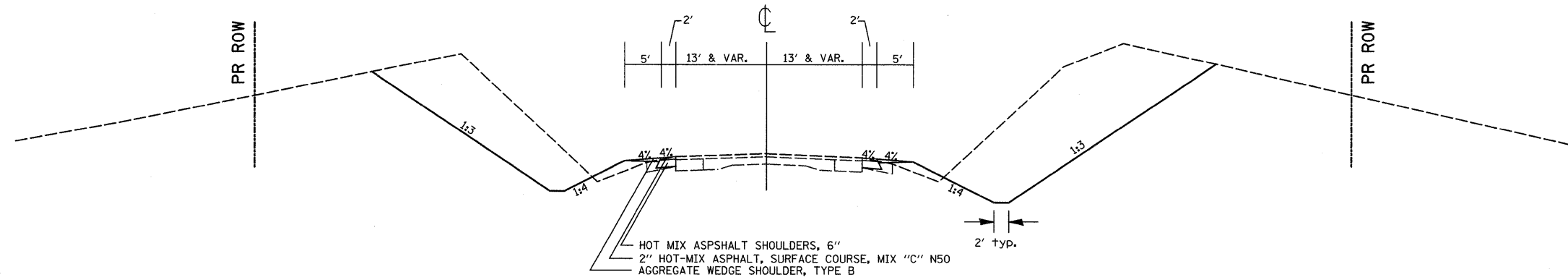
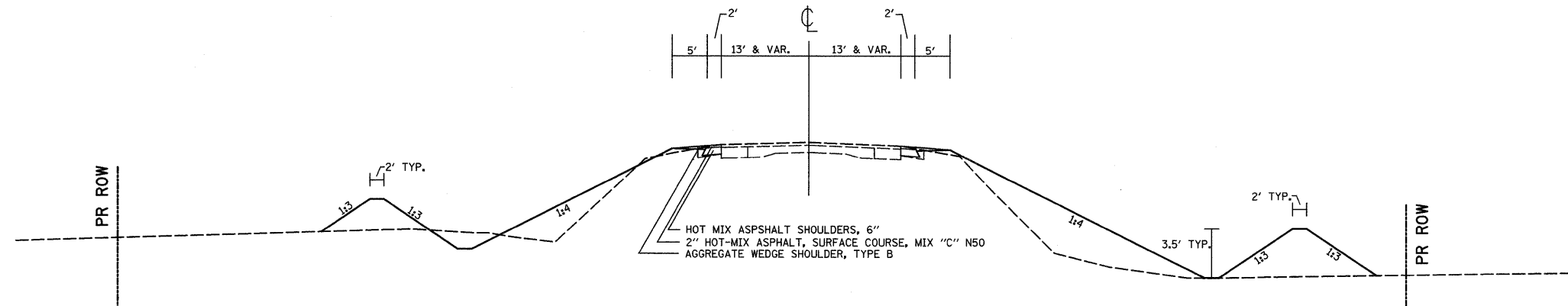


# TYPICALS

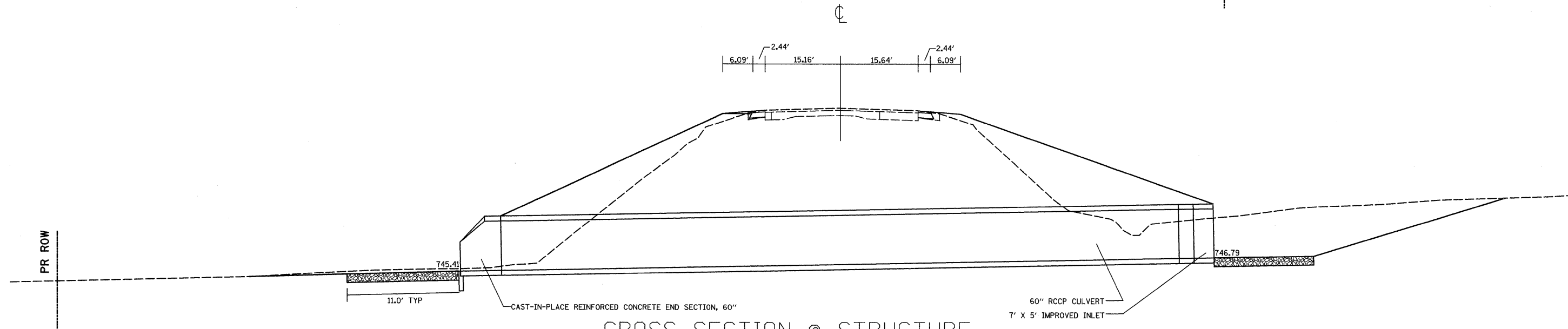
781+00 - 785+00  
793+50 - 796+00



786+00



789+70



## CROSS SECTION @ STRUCTURE 35° SKEW

Figure 4 Sheet 2 of 2

FILE NAME =	USER NAME = fordjd	DESIGNED -	REVISED -	<b>STATE OF ILLINOIS DEPARTMENT OF TRANSPORTATION</b>	<b>US 150</b>			F.A.S. RTE.	SECTION	COUNTY	TOTAL SHEETS	SHEET NO.			
c:\pe_work\PWIDOT\FORDJD\dms33831\026413-shh-typical.dgn		DRAWN -	REVISED -		SCALE:	SHEET NO.	OF	SHEETS	STA.	TO STA.	1188	118T	Henry	52	5
		CHECKED -	REVISED -								CONTRACT NO. 64D13				
		DATE -	REVISED -								ILLINOIS FED. AID PROJECT				