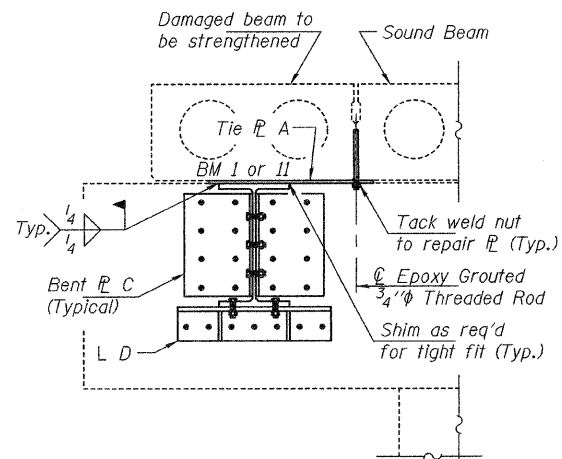
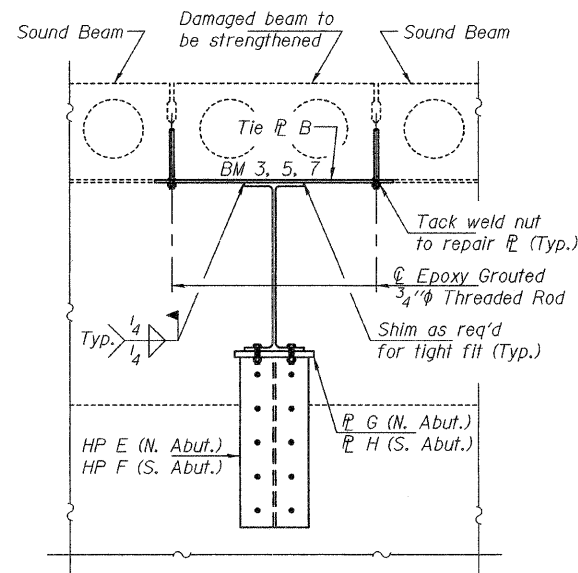


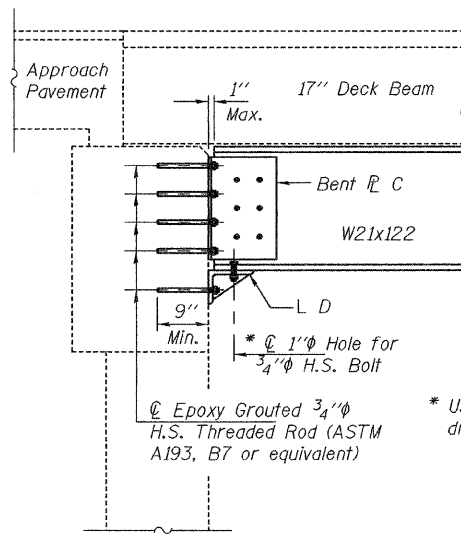
STATE OF ILLINOIS
DEPARTMENT OF TRANSPORTATION



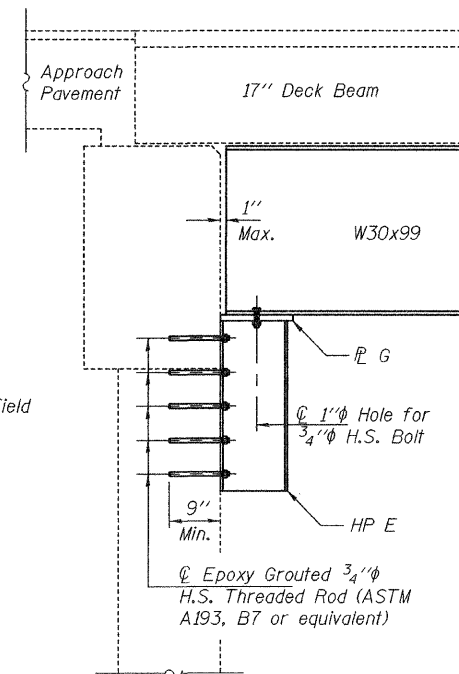
SECTION A-A



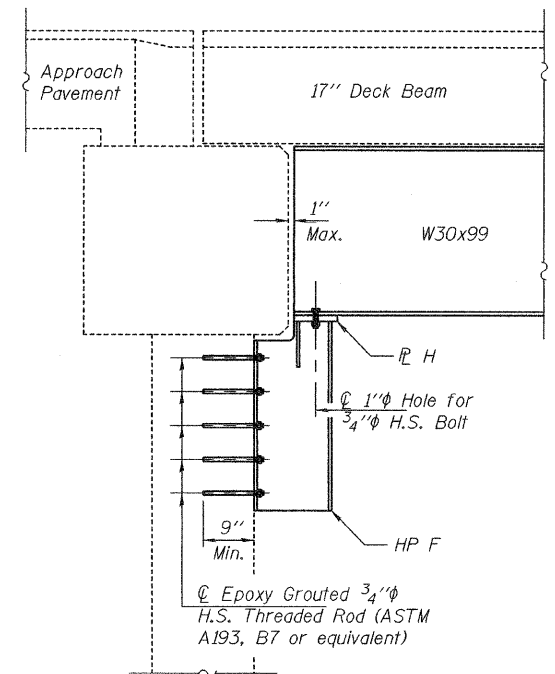
SECTION B-B



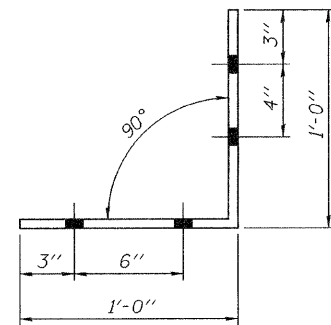
SECTION C-C



SECTION D-D

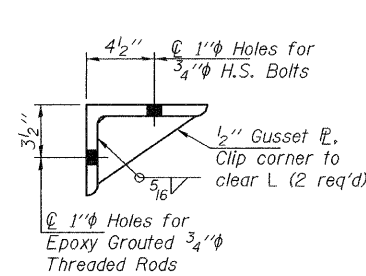


SECTION E-E

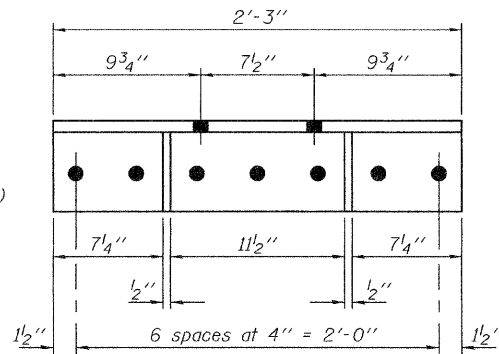


BENT P C

1/2" x 1'-6" x 2'-0"
(8 Required)

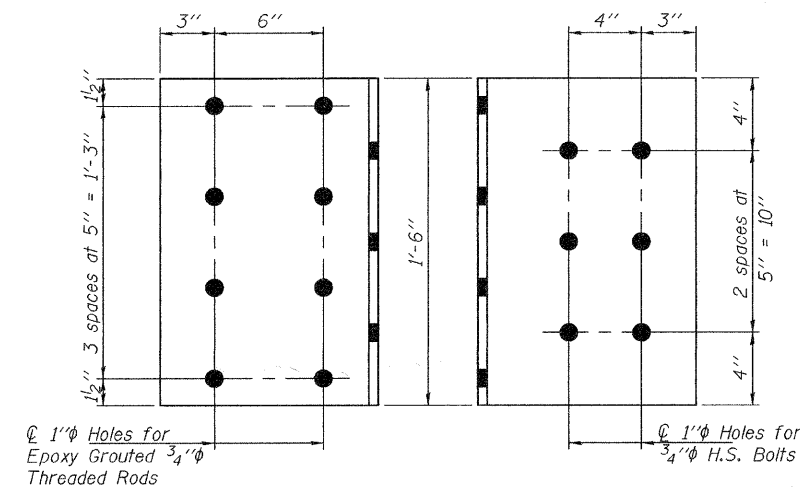


SECTION THRU L D

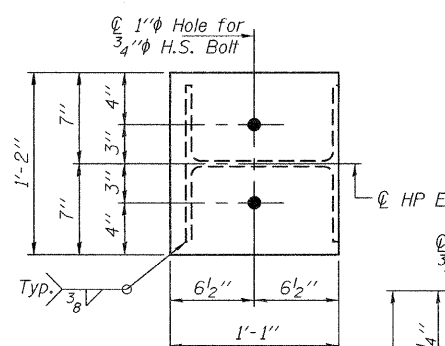


L D

L 8 x 6 x 3/4 x 2'-3"
(4 Required)

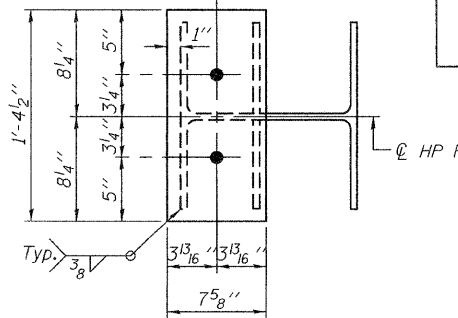


BENT P C ELEVATIONS



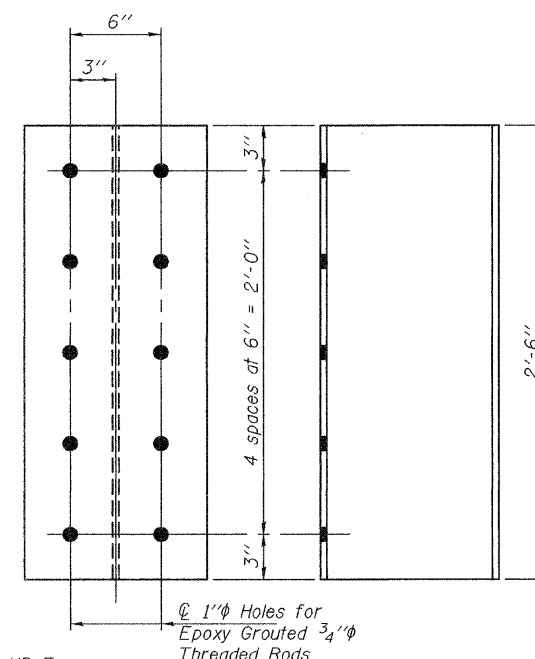
P G

1" x 1'-1" x 1'-2"
(3 Required)



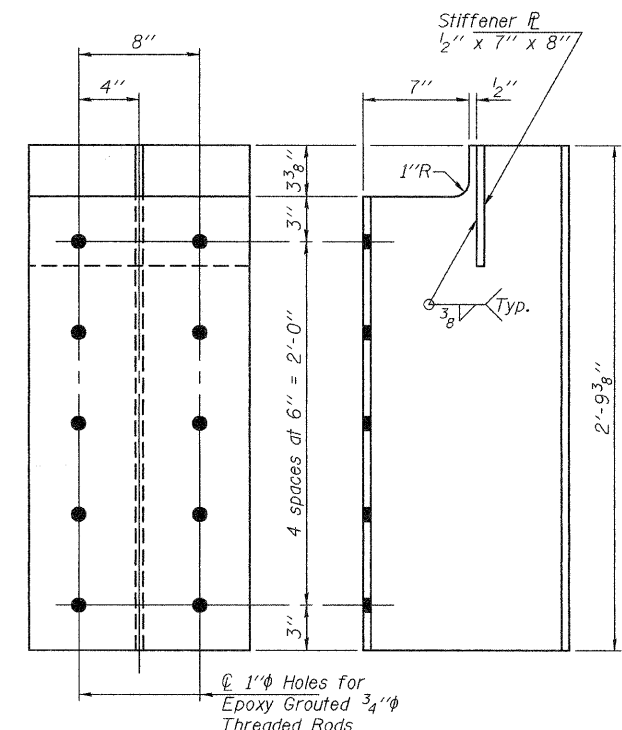
HP E

HP12x53 x 2'-6"
(3 Required)



HP F

HP14x73 x 2'-9 3/8"
(3 Required)



REPAIR DETAILS
IL ROUTE 84 OVER
DUKE CREEK
SN 043-0027

DESIGNED	ATH
CHECKED	VHV
DRAWN	Kyle M. Steffen
CHECKED	ATH VHV

MARCH 19, 2009
EXAMINED *Carl Thayer*
ENGINEER OF STRUCTURAL SERVICES
PASSED *Ralph E. Anderson*
ENGINEER OF BRIDGES AND STRUCTURES

SHEET NO. 2 2 SHEETS	F.A.P. RTE.	SECTION	COUNTY	TOTAL SHEETS	SHEET NO.
	308	(103BR-2)	JoDAVIESS	4	4
FED. ROAD DIST. NO.			ILLINOIS FED. AID PROJECT		
CONTRACT NO. 64E92					