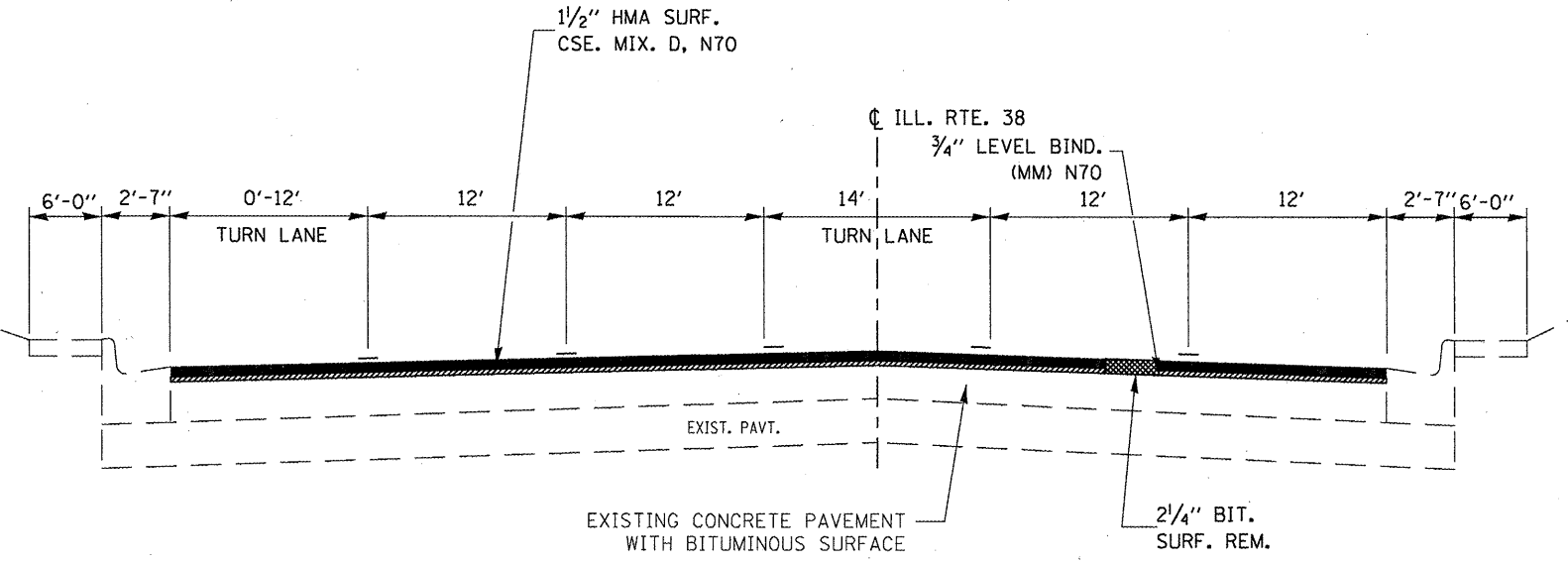
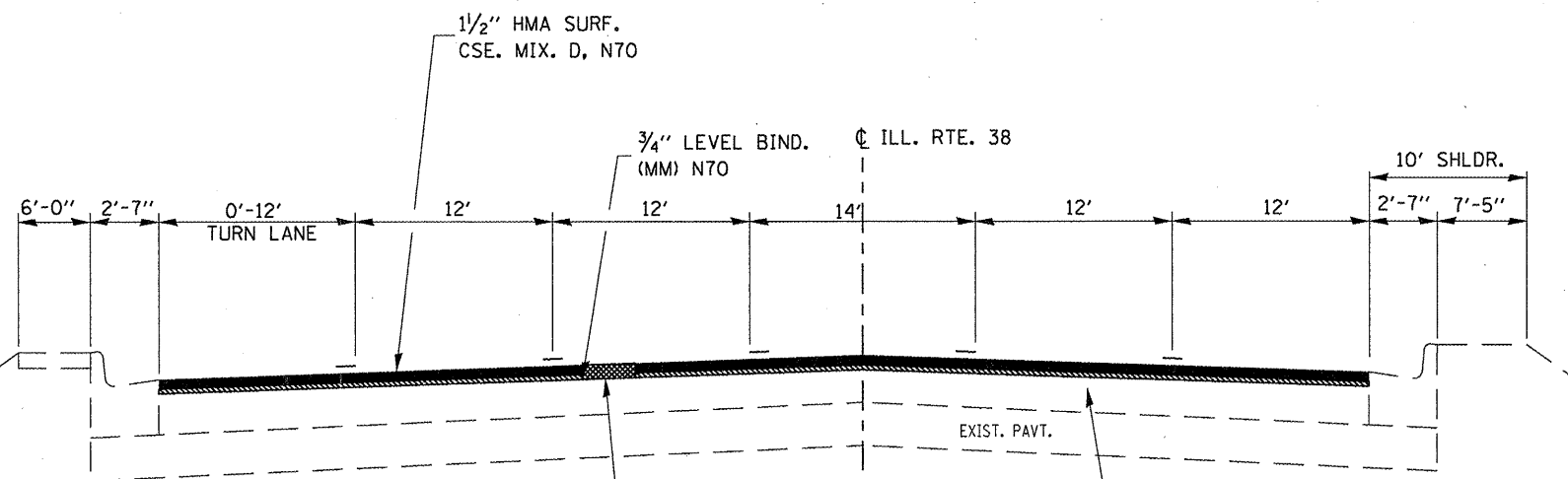


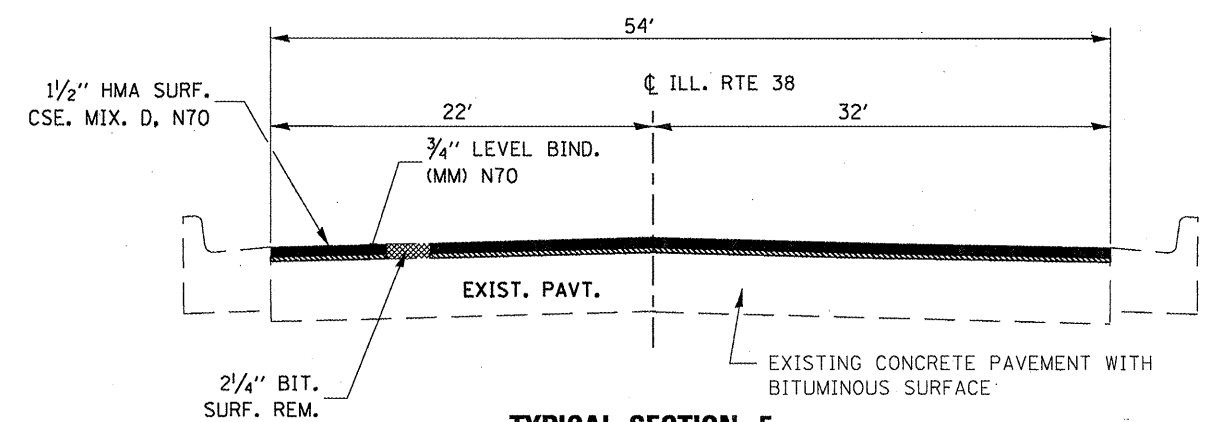
**TYPICAL SECTION 1**  
 STA. 170+93.09 TO 180+43.09  
 MAINTAIN EXIST. CROSS SLOPE



**TYPICAL SECTION 4**  
 STA. 222+50.10 TO 229+15.00  
 MAINTAIN EXIST. CROSS SLOPE

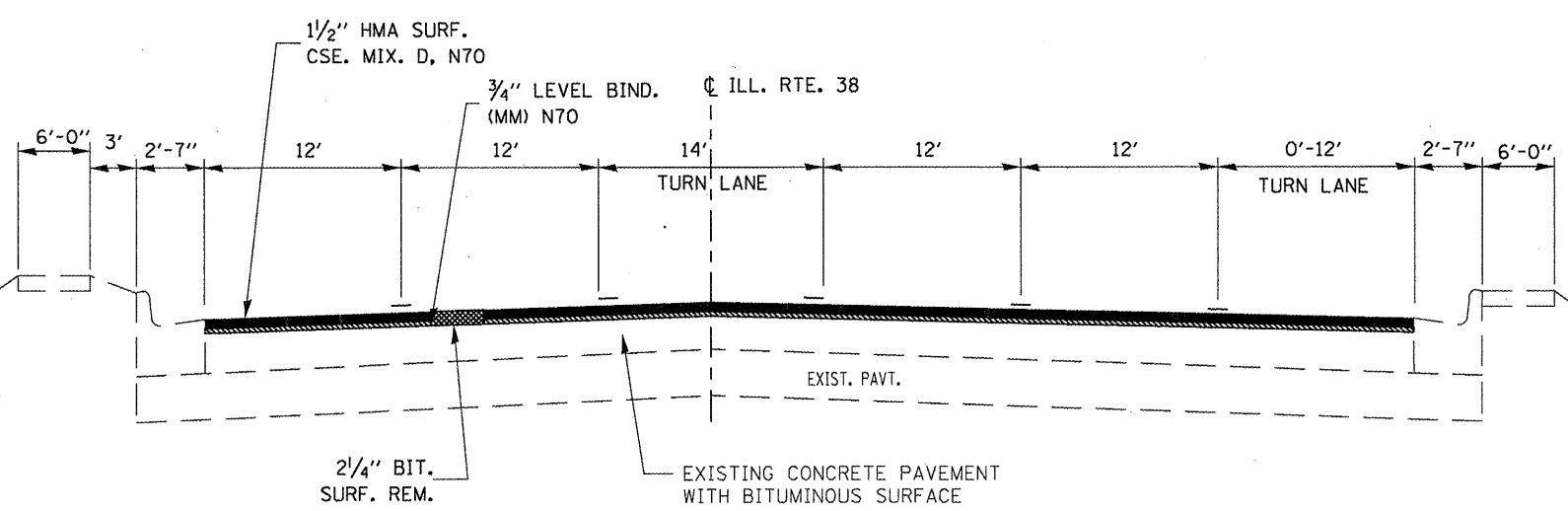


**TYPICAL SECTION 2**  
 STA. 180+43.09 TO 218+28  
 MAINTAIN EXIST. CROSS SLOPE

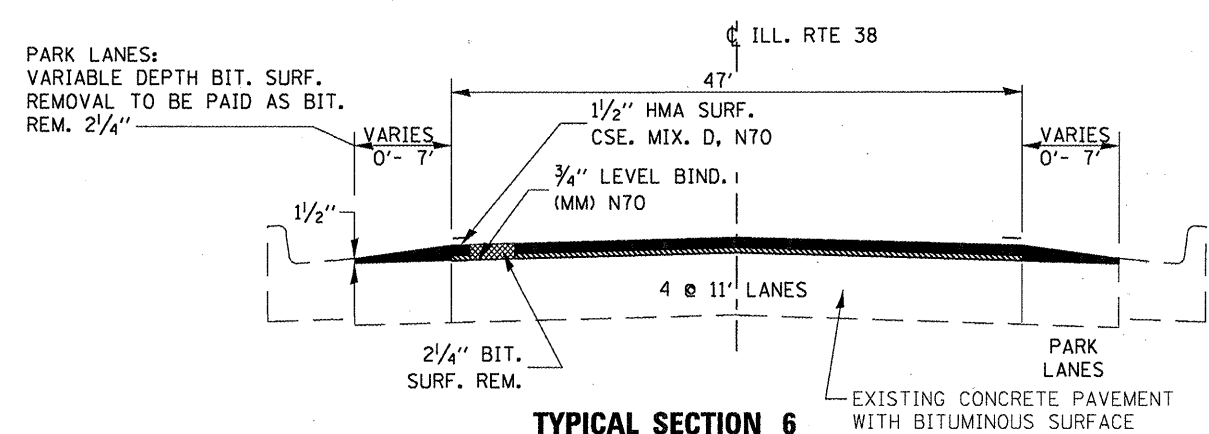


**TYPICAL SECTION 5**  
 STA. 110+33.83 TO STA. 157+00  
 MAINTAIN EXIST. CROSS SLOPE

SEE PLAN VIEW FOR STRIPING



**TYPICAL SECTION 3**  
 STA. 218+28 TO 222+50.10  
 MAINTAIN EXIST. CROSS SLOPE



**TYPICAL SECTION 6**  
 STA. 157+00 TO 167+50  
 MAINTAIN EXIST. CROSS SLOPE

SEE PLAN VIEW FOR STRIPING

FILE NAME =	USER NAME = schwanckerg	DESIGNED -	REVISED -
or:\pwork\PIWIDOT\SCHWANKERG\d0120874\366747-sht-details.DGN	366747-sht-details.DGN	DRAWN -	REVISED -
PLOT SCALE = 1/8" = 100.0000' / IN.		CHECKED -	REVISED -
PLOT DATE = Mar 24, 2009 - 10:02:27 AM		DATE -	REVISED -

**STATE OF ILLINOIS**  
**DEPARTMENT OF TRANSPORTATION**

SCALE:	SHEET NO.	OF	SHEETS	STA.	TO STA.

F.A.P. RTE.	SECTION	COUNTY	TOTAL SHEETS	SHEET NO.
567	(34)RS-5 & (7)RS-3, I	DEKALB	35	5
CONTRACT NO. 66747				
ILLINOIS FED. AID PROJECT				