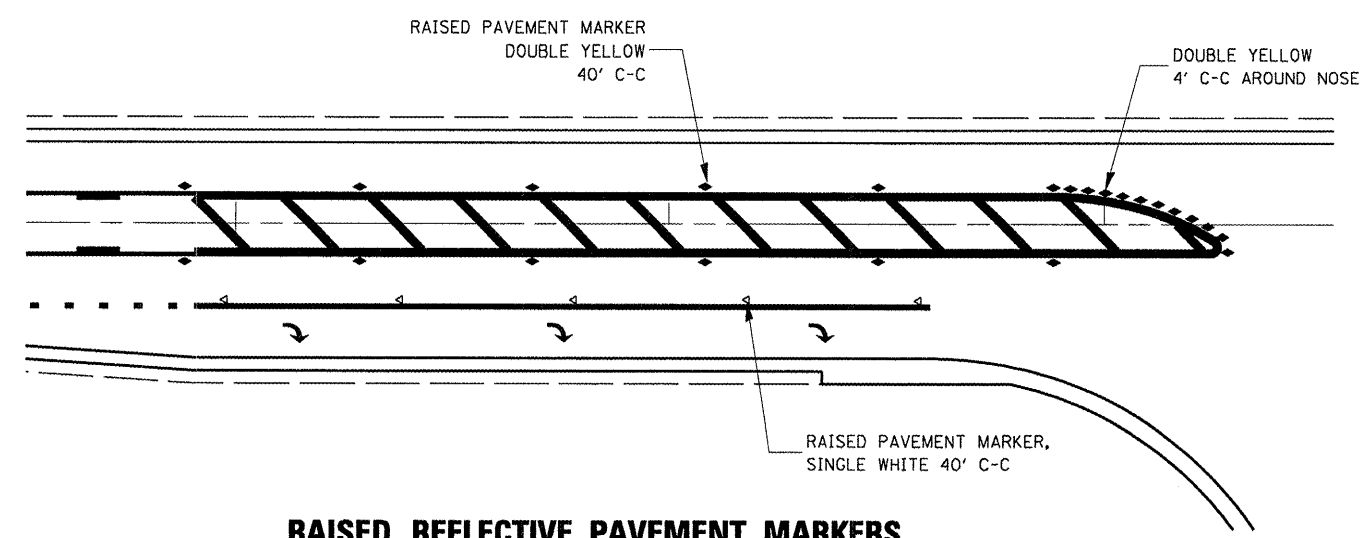
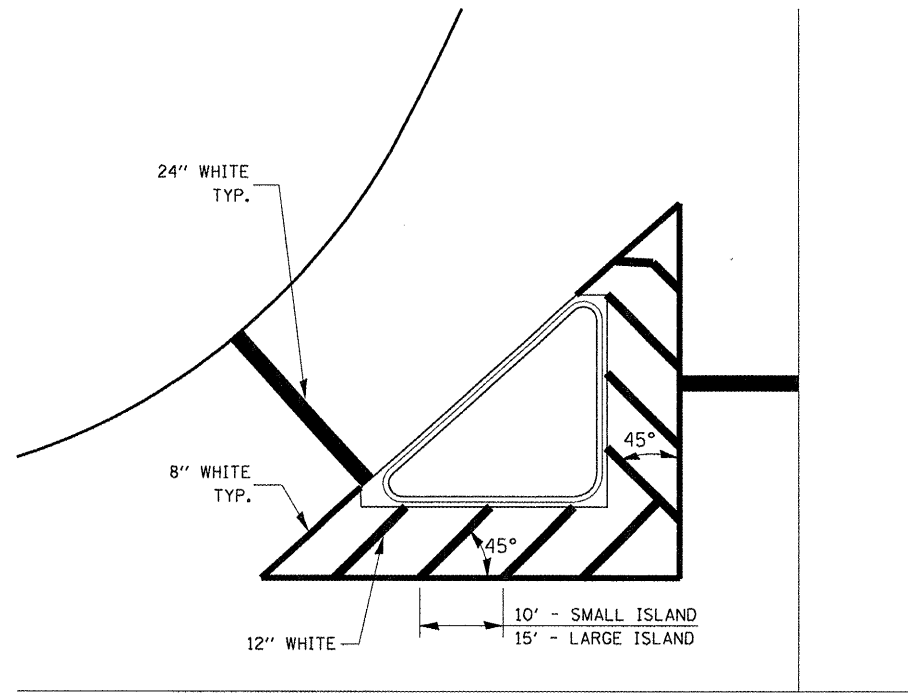


**LEFT TURN LANE WITH APPROACH MEDIAN**



**RAISED REFLECTIVE PAVEMENT MARKERS @ RIGHT TURN LANE**



**TYPICAL ISLAND**

FILE NAME =	USER NAME = corcoranlm	DESIGNED -	REVISED -	<b>STATE OF ILLINOIS DEPARTMENT OF TRANSPORTATION</b>	<b>DETAILS</b>	F.A.P. RTE.	SECTION	COUNTY	TOTAL SHEETS	SHEET NO.	
ce:\pw_work\pwidot\corcoranlm\d0120874\d	666747-shd-details.DGN	DRAWN -	REVISED -			567	(34)RS-5, (7)RS-3, 1	DEKALB	35	27	
	PLOT SCALE = 100.0000' / IN.	CHECKED -	REVISED -			CONTRACT NO. 66747					
	PLOT DATE = Mar 19, 2009 - 11:17:40 AM	DATE -	REVISED -			ILLINOIS FED. AID PROJECT					