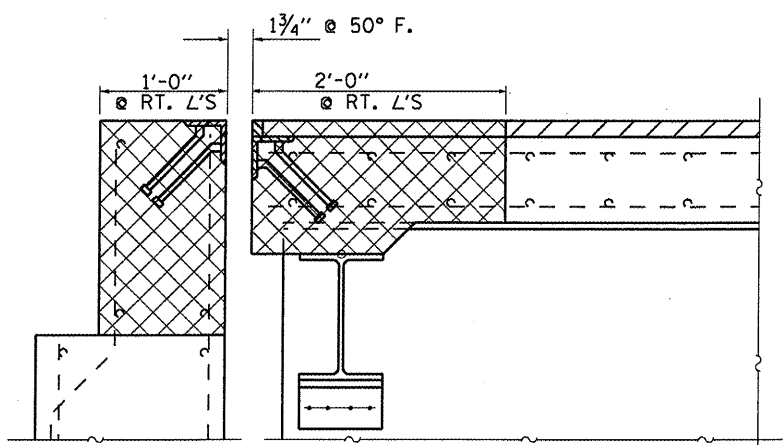
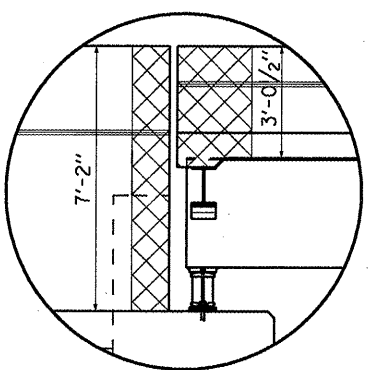


**PLAN**

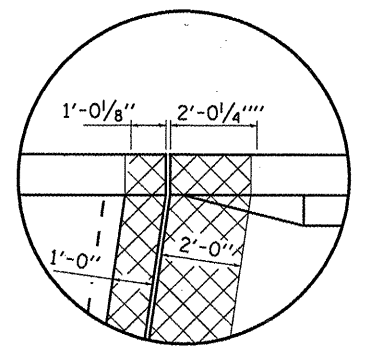


**SECTION A-A**

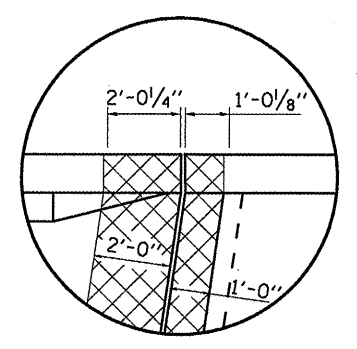
- HOT-MIX ASPHALT SURFACE REMOVAL (DECK)**
- CONCRETE REMOVAL**



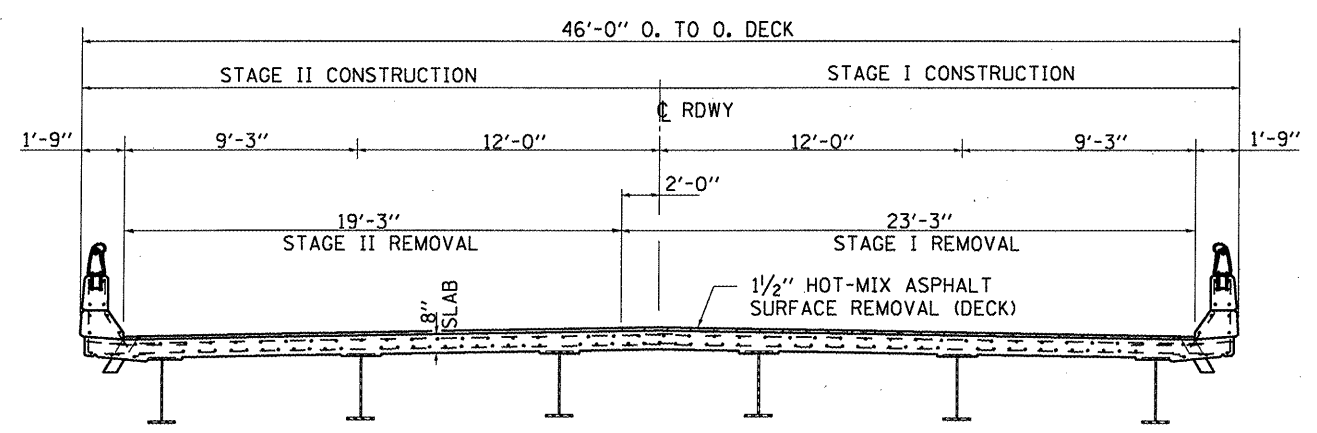
**WING DETAIL**



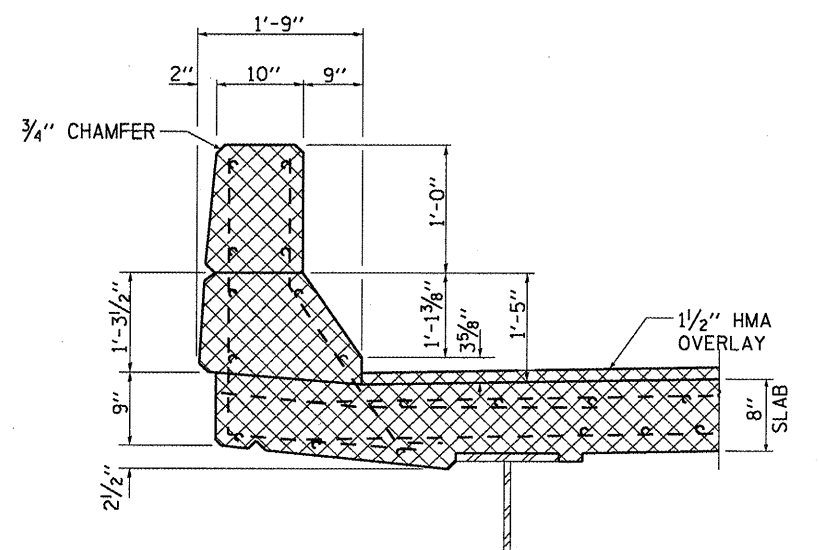
**CORNER DETAIL A**



**CORNER DETAIL B**



**CROSS SECTION  
LOOKING NORTH**



**CURB SECTION  
AT EXPANSION JOINTS**

FILE NAME =  
c:\pwwork\pwwid\WOODSHANKRL\dms91680

USER NAME = woodshankr1  
D366936-detaile.dgn  
PLOT SCALE = 40.0000' / IN.  
PLOT DATE = Apr 03, 2009 - 11:38:30 AM

DESIGNED -  
DRAWN -  
CHECKED -  
DATE -

REVISED -  
REVISED -  
REVISED -  
REVISED -

**STATE OF ILLINOIS  
DEPARTMENT OF TRANSPORTATION**

**PLAN AND CROSS SECTION  
REMOVAL DETAILS**

SCALE: \_\_\_\_\_ SHEET NO. 2 OF 7 SHEETS STA. \_\_\_\_\_ TO STA. \_\_\_\_\_

F.A.P. RTE. 68	SECTION (3BR)	COUNTY LASALLE	TOTAL SHEETS 14	SHEET NO. 9
ILLINOIS			CONTRACT NO. 66936	