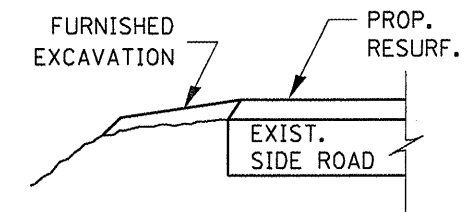
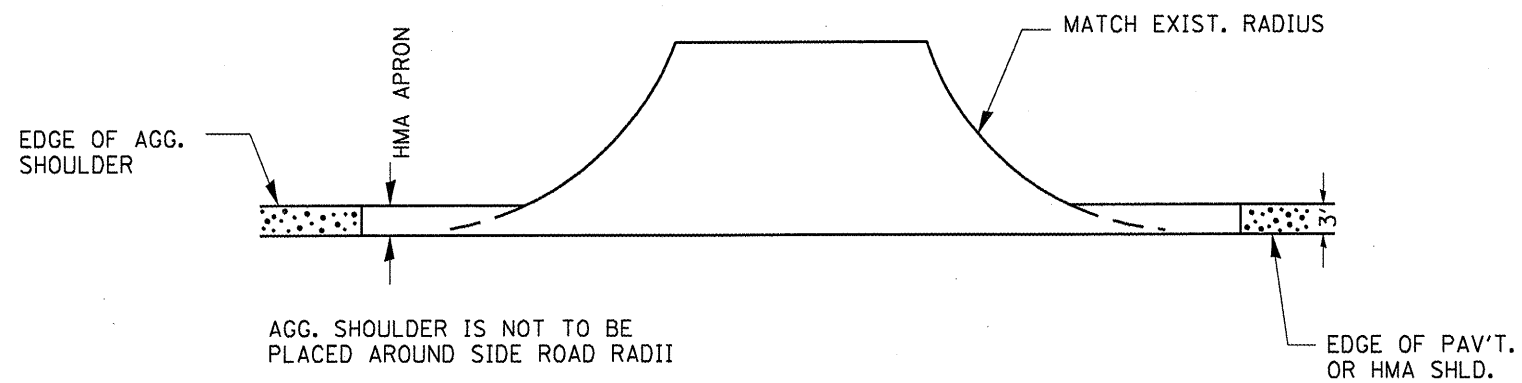


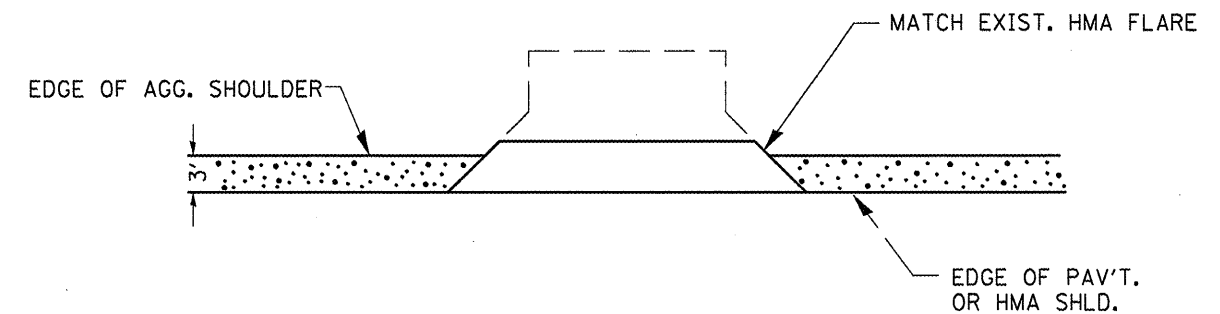
**PLAN AT MAIL BOX TURNOUTS**



**SECTION B-B**



**PLAN AT SIDE ROADS**



**PLAN AT PRIVATE & COMMERCIAL ENTRANCES**

• FAP 693.697 (IL 9), FAP 71 (IL 54)  
 •• D3 AGGREGATE SHOULDERS 2010-1

|                                      |  |                          |           |
|--------------------------------------|--|--------------------------|-----------|
| FILE NAME =                          | USER NAME = woodshankr1                | DESIGNED - RON WOODSHANK | REVISED - |
| c:\pwork\PW100T\WOODSHANKR1\dms91757 | D366941-details.dgn                    | DRAWN - RON WOODSHANK    | REVISED - |
|                                      | PLOT SCALE = 100.0000' / IN.           | CHECKED -                | REVISED - |
|                                      | PLOT DATE = Mar 30, 2009 - 08:58:50 AM | DATE -                   | REVISED - |

STATE OF ILLINOIS  
 DEPARTMENT OF TRANSPORTATION

**AGGREGATE SHOULDER DETAILS**

SCALE: SHEET NO. 1 OF 1 SHEETS STA. TO STA.

| F.A.P. RTE.               | SECTION | COUNTY | TOTAL SHEETS | SHEET NO. |
|---------------------------|---------|--------|--------------|-----------|
| *                         | **      | FORD   | 7            | 7         |
| CONTRACT NO. 66941        |         |        |              |           |
| ILLINOIS FED. AID PROJECT |         |        |              |           |