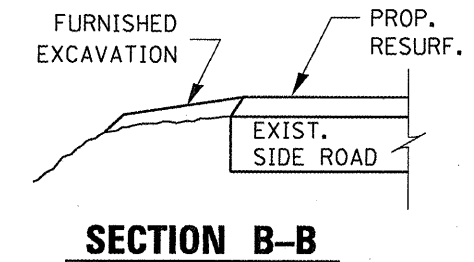
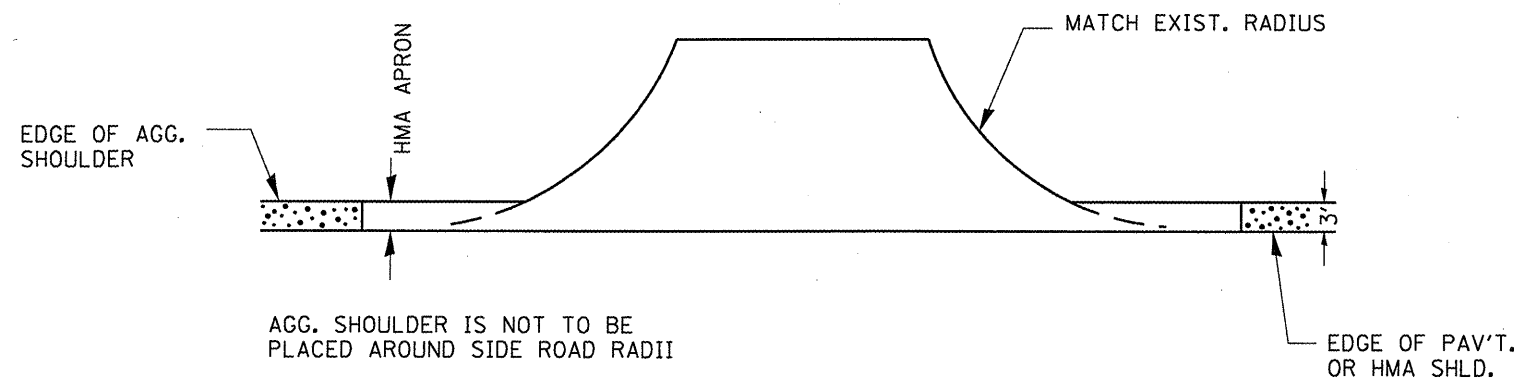


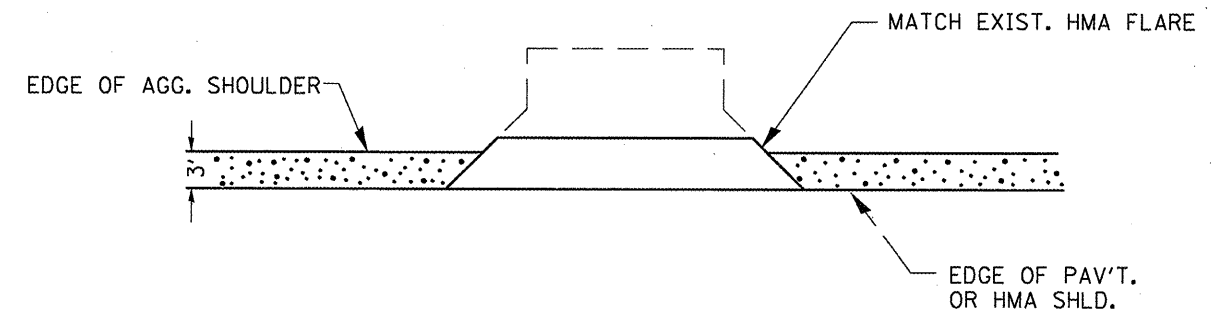
**PLAN AT MAIL BOX TURNOUTS**



**SECTION B-B**



**PLAN AT SIDE ROADS**



**PLAN AT PRIVATE & COMMERCIAL ENTRANCES**

\* FAP 796, 798, FAS 340  
 \*\* D3 AGGREGATE SHOULDERS 2010-2

FILE NAME =	USER NAME = woodshankr1	DESIGNED - RON WOODSHANK	REVISED -
at\pw_work\PW\DOT\WOODSHANKR1\dms91783	0366962-details.dgn	DRAWN - RON WOODSHANK	REVISED -
PLOT SCALE = 100.0000 / IN.	CHECKED -	REVISOR -	REVISED -
PLOT DATE = Mar 31, 2009 - 02:04:33 PM	DATE -	REVISOR -	REVISED -

STATE OF ILLINOIS  
 DEPARTMENT OF TRANSPORTATION

**AGGREGATE SHOULDER DETAILS**

SCALE: SHEET NO. 1 OF 1 SHEETS STA. TO STA.

RTE.	SECTION	COUNTY	TOTAL SHEETS	SHEET NO.
*	**	FORD	6	6
CONTRACT NO. 66962				
ILLINOIS				