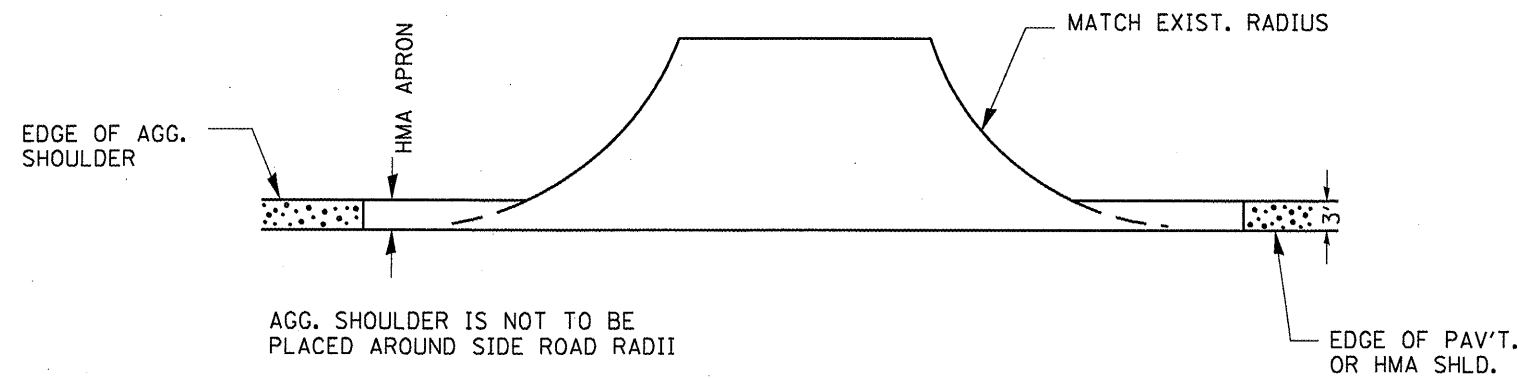
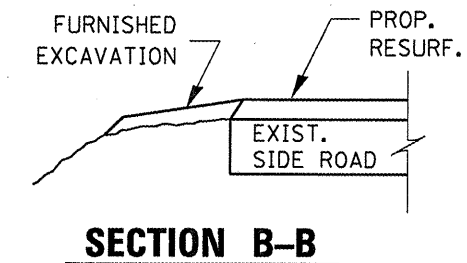
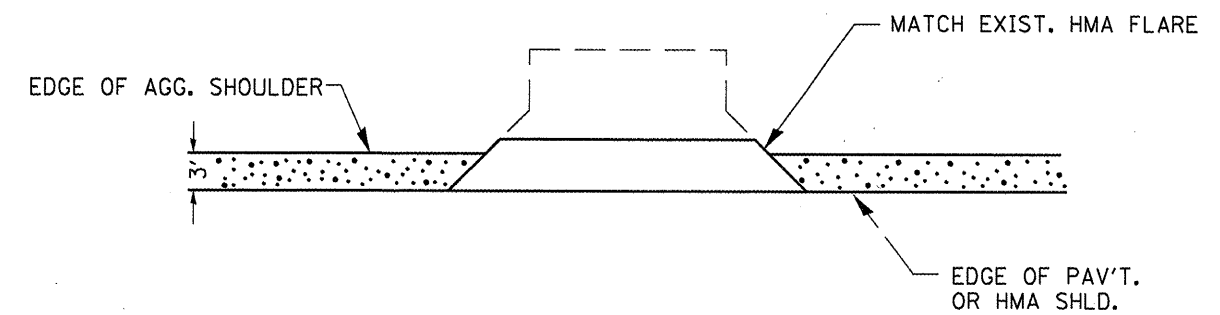


**PLAN AT MAIL BOX TURNOUTS**



**PLAN AT SIDE ROADS**



**PLAN AT PRIVATE & COMMERCIAL ENTRANCES**

FILE NAME =	USER NAME = woodshankr1	DESIGNED - RON WOODSHANK	REVISED -
c:\pwork\pwork\WOODSHANKRL\d0135039	D3-66963-detail.dgn	DRAWN - RON WOODSHANK	REVISED -
	PLOT SCALE = 100.0000' / IN.	CHECKED -	REVISED -
	PLOT DATE = Apr 01, 2009 - 06:57:58 AM	DATE -	REVISED -

STATE OF ILLINOIS  
DEPARTMENT OF TRANSPORTATION

**AGGREGATE SHOULDER DETAILS**

SCALE: \_\_\_\_\_ SHEET NO. 1 OF 1 SHEETS STA. \_\_\_\_\_ TO STA. \_\_\_\_\_

* D3 AGGREGATE SHOULDERS 2010-3				
F.A.S. RTE.	SECTION	COUNTY	TOTAL SHEETS	SHEET NO.
322		IROQUOIS	6	6
			CONTRACT NO. 66963	
ILLINOIS				