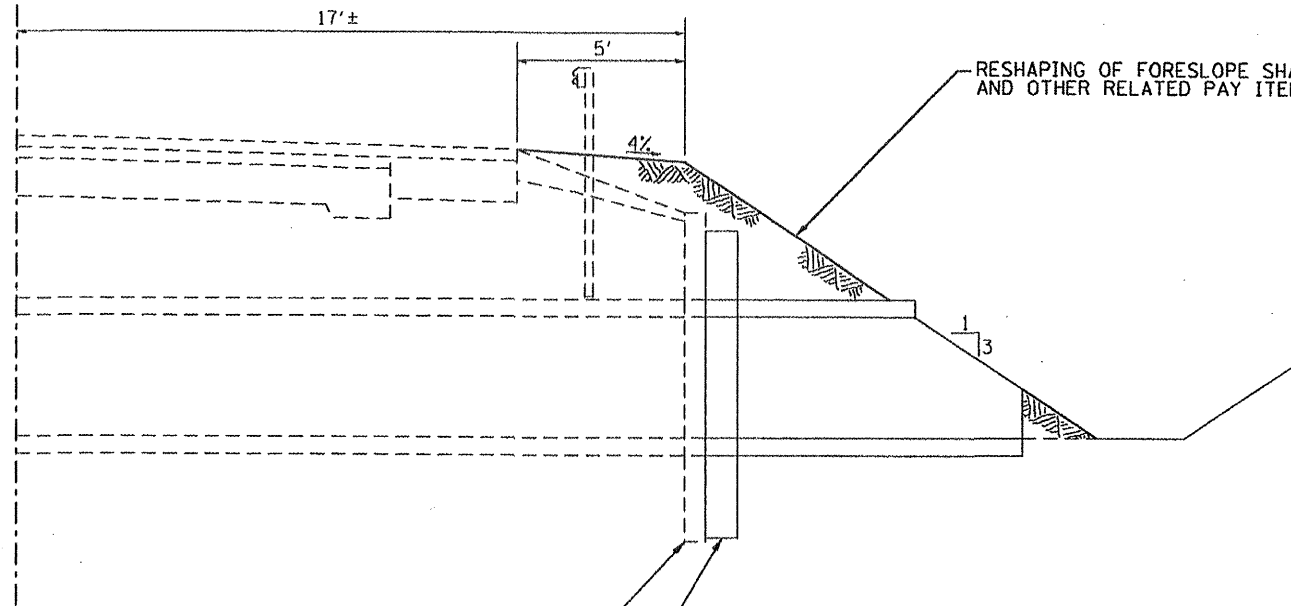


IL 9/IL 41



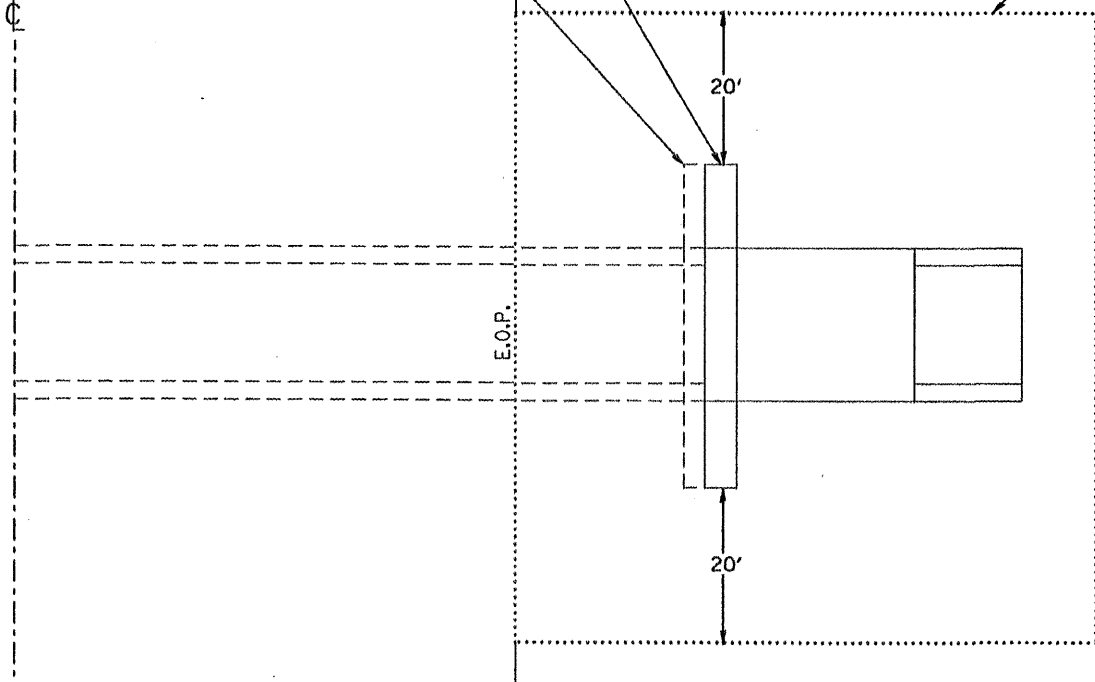
**ELEVATION**

EXISTING HEADWALL

EARTHWORK LIMITS

SEE COLLAR FOR BOX CULVERT EXTENSIONS - (CADD STD. 540001-D4)

IL 9/IL 41



**PLAN**

**BOX CULVERT EXTENSIONS**

LOCATION	BOX SIZE	END SECTIONS	CLASS SI CONCRETE	REBAR	EXPANSION BOLTS
STA. 704+86	2' X 2'	2	0.74	40	16
STA. 747+31	2' X 2'	2	0.74	40	16
STA. 778+13	2' X 3'	2	0.86	46	16
<b>TOTALS</b>		<b>6 EACH</b>	<b>1.7 CU YD</b>	<b>126 LB</b>	<b>48 EACH</b>