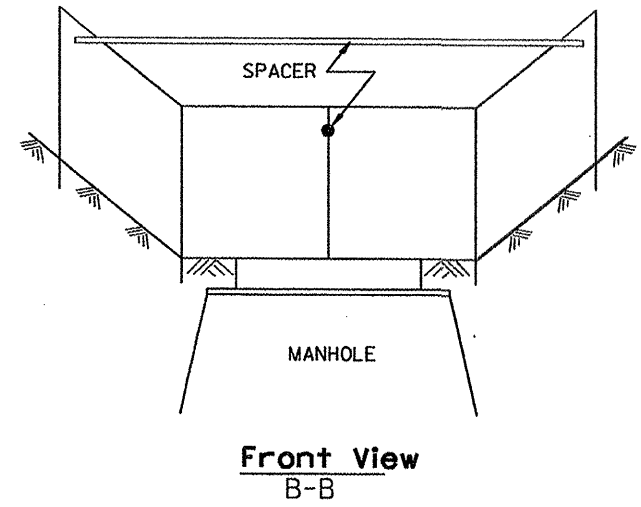
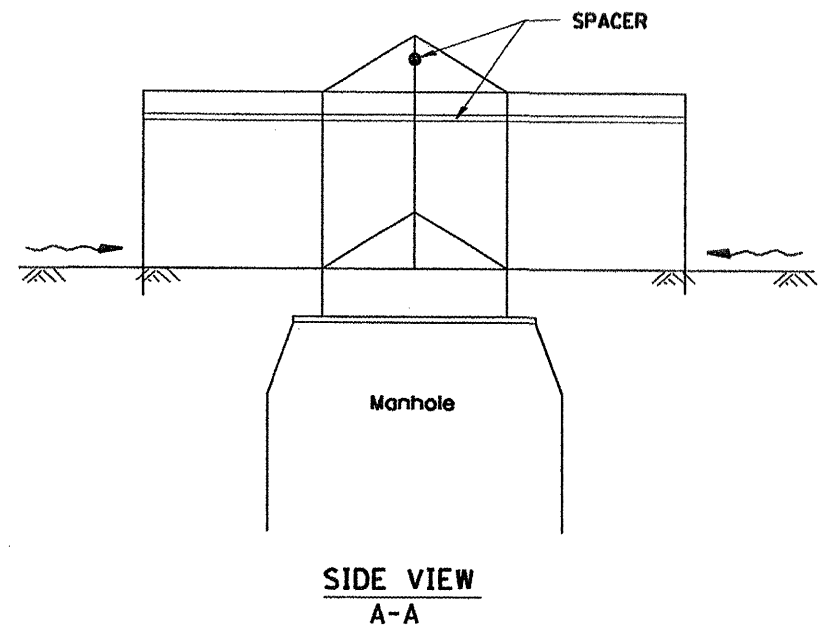
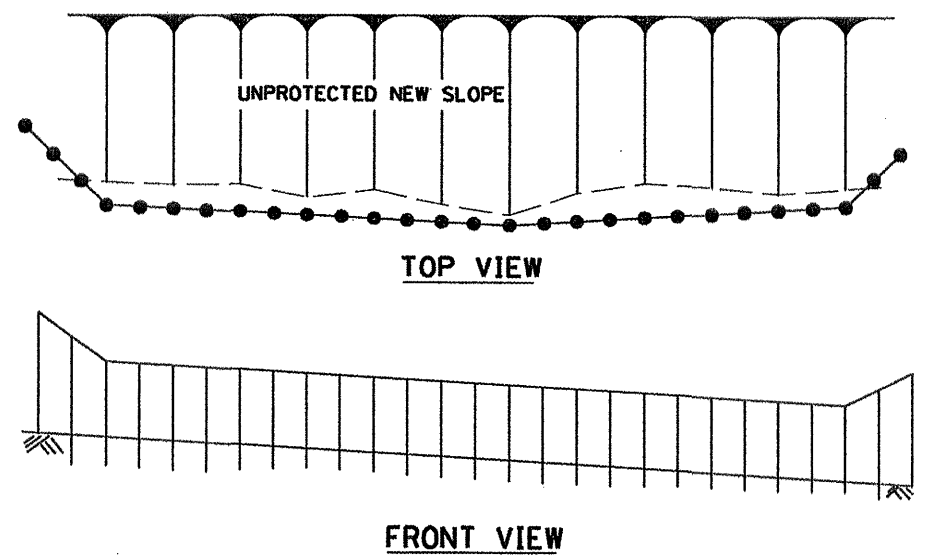
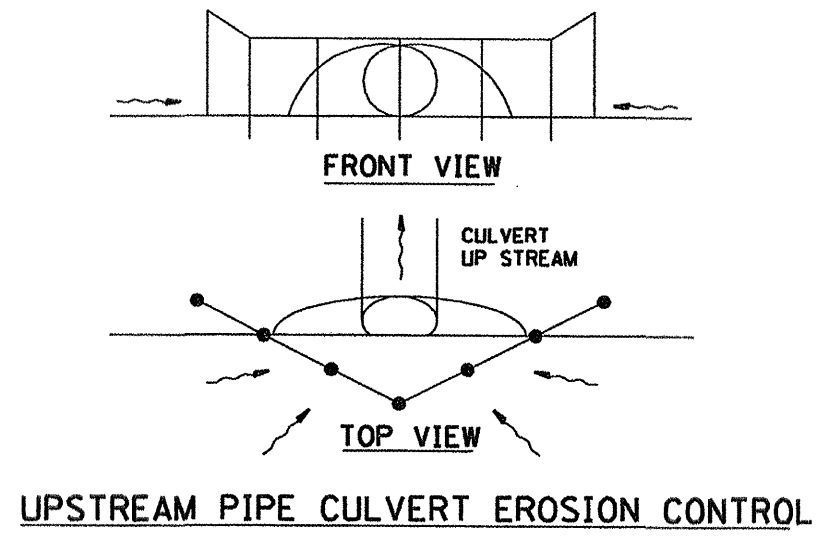
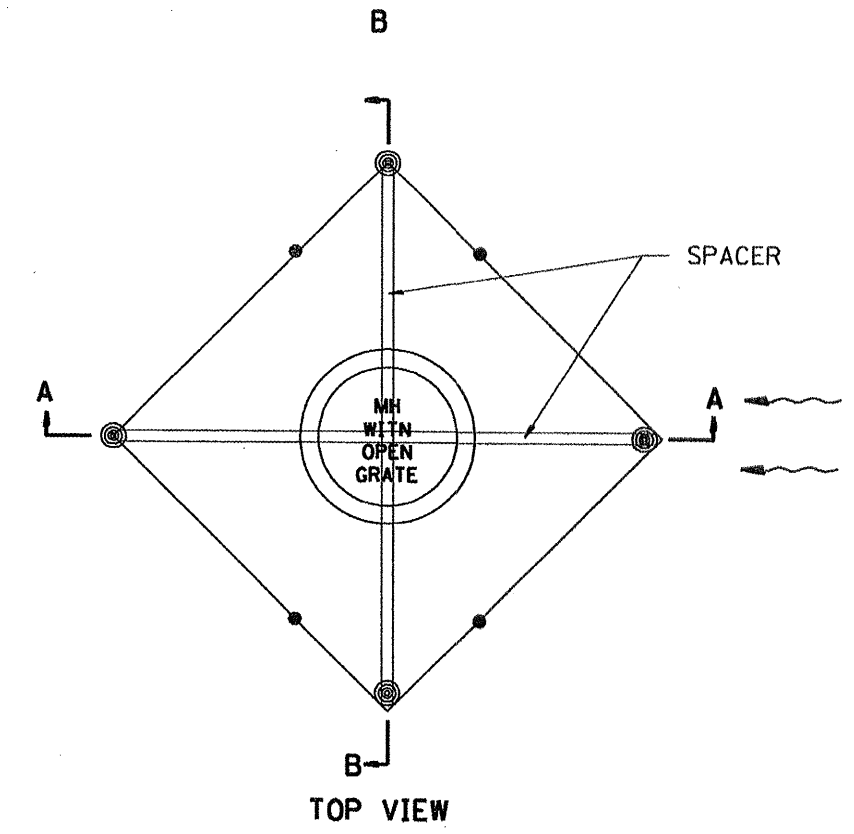


Designer NOTES:
 1. Designer to modify this Special Detail sheet, as needed, for inclusion in plans.
 2. Include Highway Standard 280001 "TEMPORARY EROSION CONTROL SYSTEM."



**EROSION CONTROL
 AT
 OPEN GRATE MAN HOLE**



GENERAL NOTES:

1. This work shall be performed in accordance with Sections 280 & 1081, of the Standard Specifications.
2. Additional Timber or Metal Post shall be installed, as needed.

All dimensions are in inches (millimeters) unless otherwise noted.

1-1-97	T.P.
3-11-03	M.A.
ELIMINATED SILT FENCE DITCH CHECK	

**STATE OF ILLINOIS
 DEPARTMENT OF TRANSPORTATION**

TYPICAL APPLICATION OF SILT FILTER FENCE
 NOT TO SCALE
 CADD STD. 280001-D4

F.A.P. RTE.	SECTION	COUNTY	TOTAL SHEETS	SHEET NO.
685/618	36(RS-1C-2)	MCDONOUGH	52	30
CONTRACT NO. 68406			ILLINOIS FED. AID PROJECT	