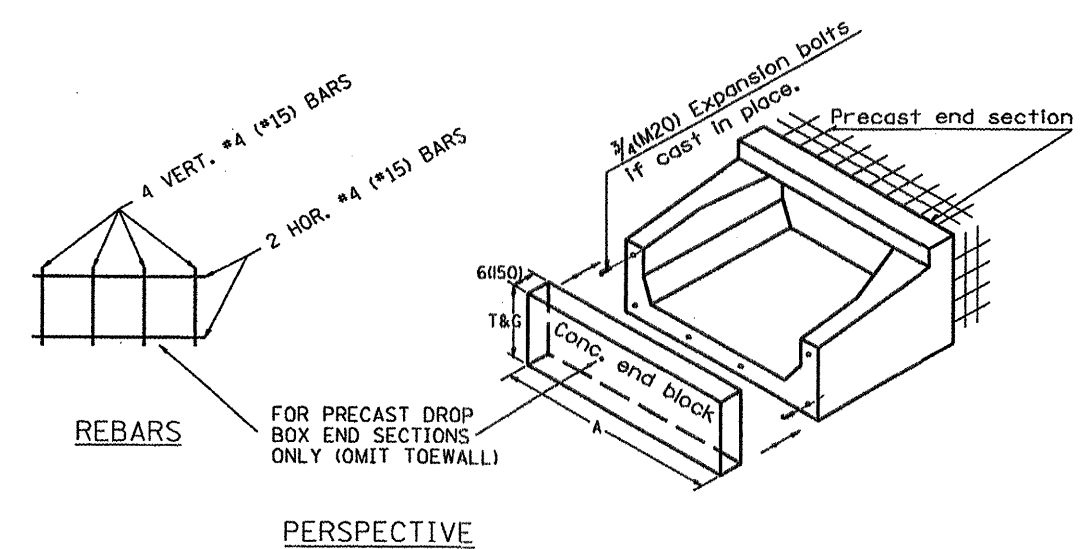
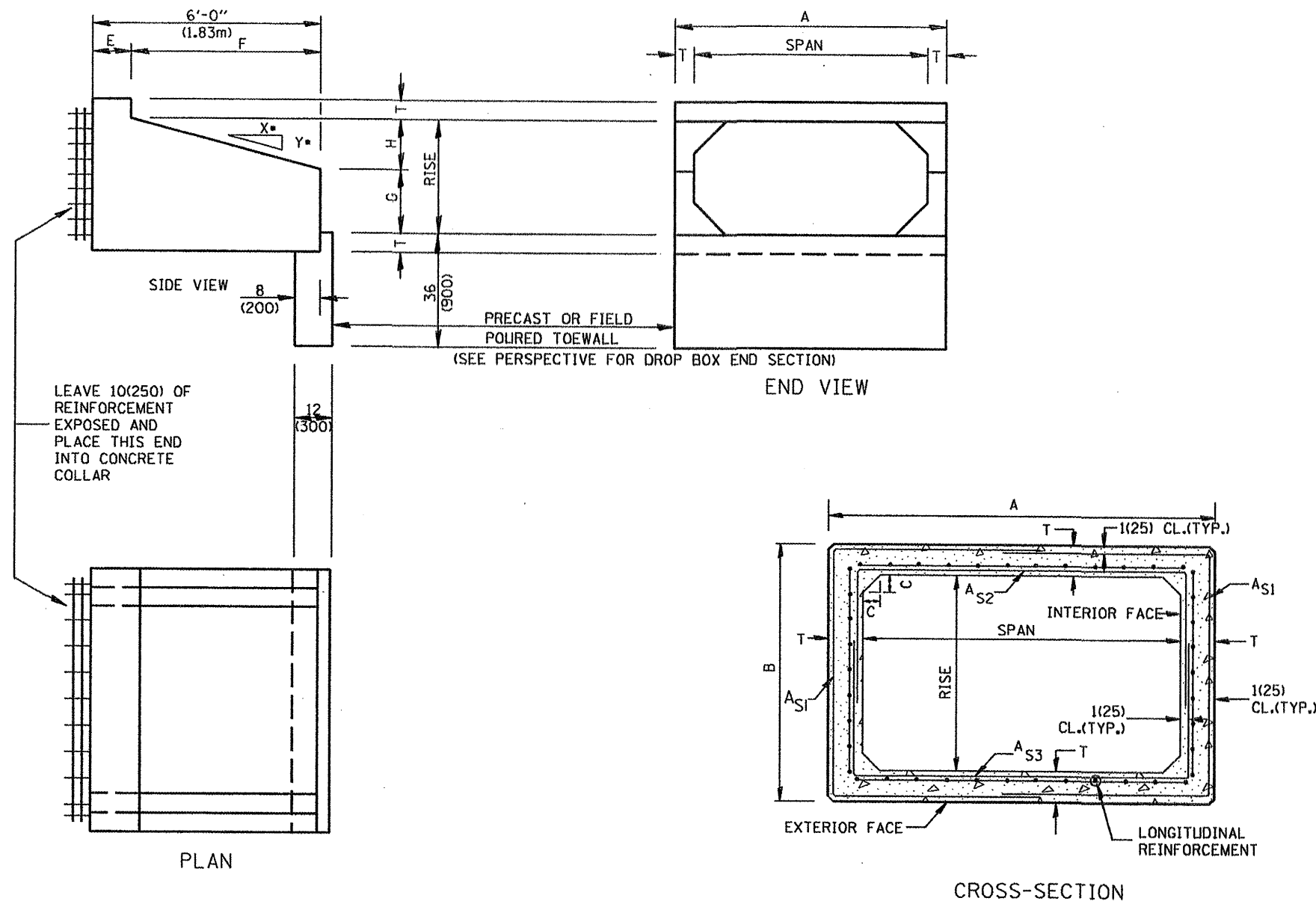


DESIGNER NOTES:
 1. INSERT DISTRICT SPECIAL PROVISION.
 2. TO BE USED IN CONJUNCTION WITH CONCRETE COLLAR.



- GENERAL NOTES:**
- The Box Culvert Sections shall conform to ASTM C789 for 2' (0.6 m) cover or more. If less than 2' (0.6 m) of cover exists, then ASTM C-850 applies and modify Table 'B' and drawing.
 - The Aggregate shall conform to the requirements of Articles 1003.02 and 1004.02 of the Standard Specifications. The gradation requirements do not apply.
 - The External Sealing Band shall conform to ASTM C 877. The appropriate portions of Articles 550.02(1) and 1057.01 of the Standard Specifications shall apply.
 - Shop plans for the Precast Reinforced Box Culvert Sections, End Sections and Drop Box End Sections shall be submitted in accordance with Article 540.06 of the Standard Specifications.
 - All dimensions shall be verified with the Supplier.

01-01-97	RENUM. J-12.08 AND J-12.09, NEW FORMAT, METRICS.	T.P.	10-16-06	REVISED TO 2007 SPEC.	N.A.
05-01-97	NEW REVISION BOX, NOTES	J.A.			
06-17-99	CORRECT TITLE & GEN. NOTES	J.A.			

STATE OF ILLINOIS
DEPARTMENT OF TRANSPORTATION

**PRECAST CONCRETE BOX CULVERTS (SPECIAL),
 END SECTION (SPECIAL), &
 DROP BOX END SECTIONS (SPECIAL)**

SHT. 1 OF 2
 CADD STD. 540401-D4

NOT TO SCALE

All dimensions are in inches (millimeters) unless otherwise noted.

F.A.P. RTE.	SECTION	COUNTY	TOTAL SHEETS	SHEET NO.
685/618	36(RS-11C-2)	MCDONOUGH	52	35
CONTRACT NO. 68406				
ILLINOIS FED. AID PROJECT				