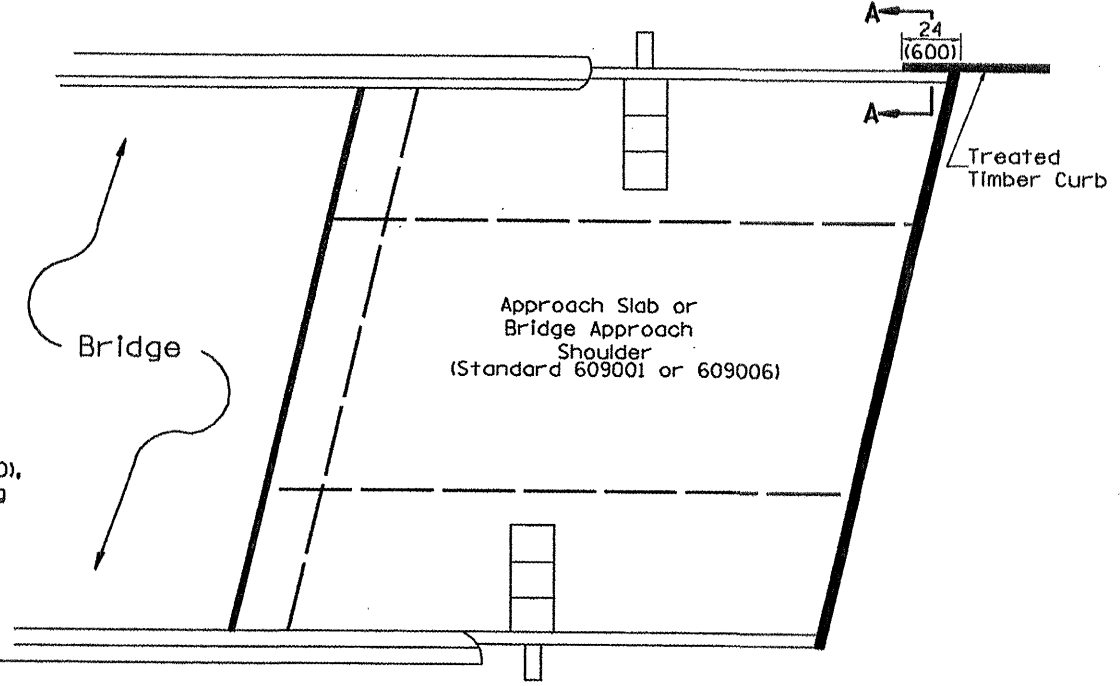
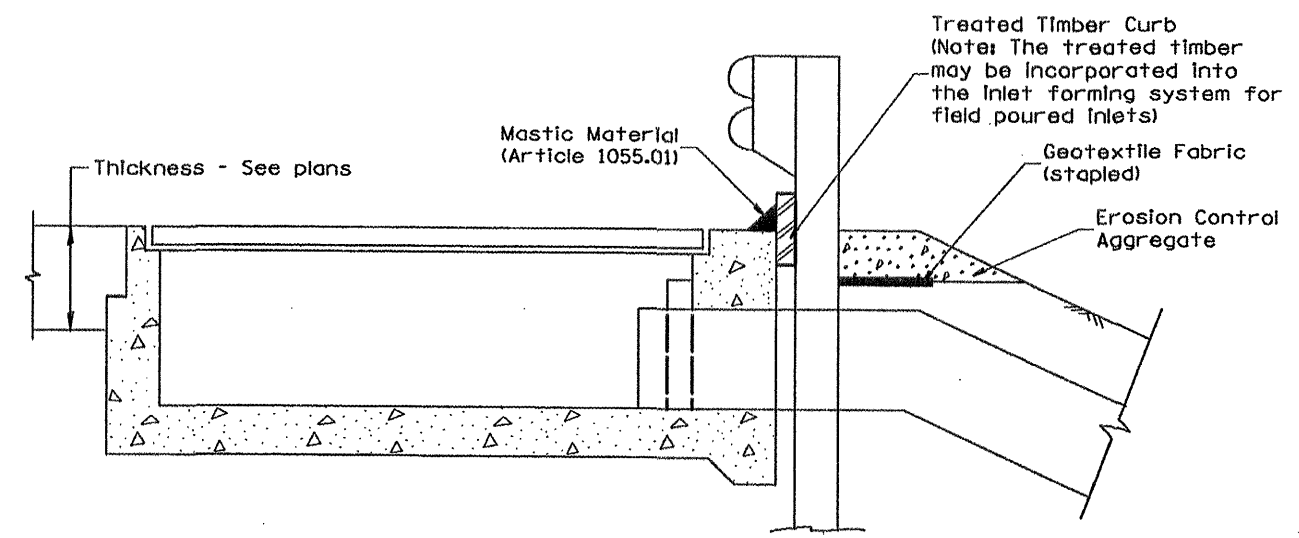


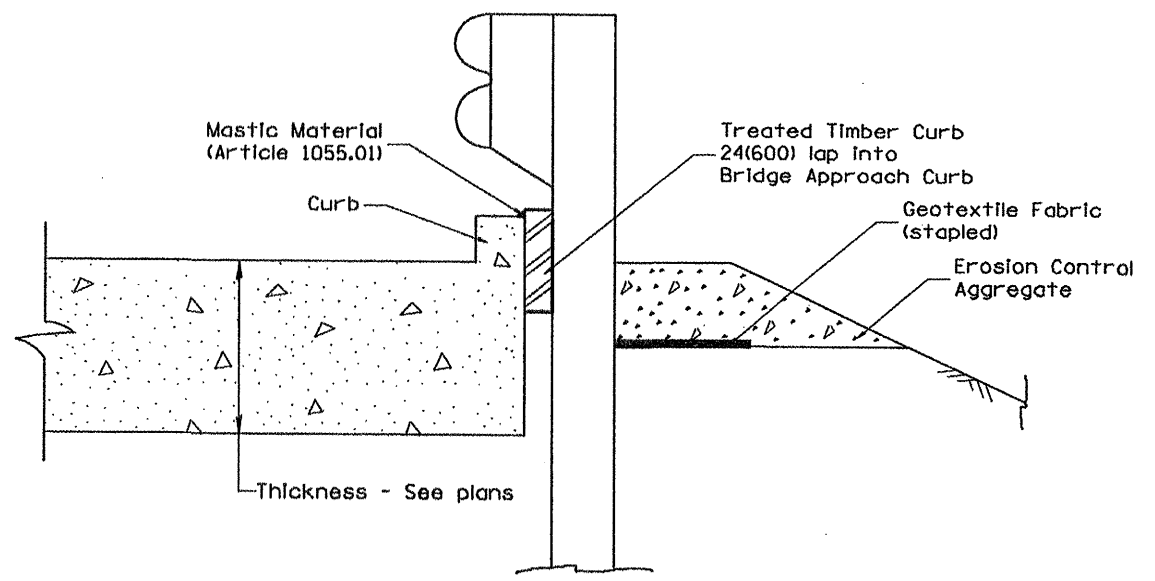
DETAIL A
(Typical Treated Timber Splices)



PLAN VIEW
APPROACH SLAB OR BRIDGE APPROACH SHOULDER
(STANDARD 609001 or 609006)



TYPICAL SECTION WITH EROSION CONTROL CURB
AT INLETS TYPE E & F (STANDARD 610001)



SECTION A-A
TYPICAL SECTION WITH EROSION CONTROL CURB
AT BRIDGE APPROACH CURB
(STANDARD 609001 OR 609006)

All dimensions are in inches (millimeters) unless otherwise noted.

STATE OF ILLINOIS DEPARTMENT OF TRANSPORTATION				GUARDRAIL EROSION CONTROL TREATMENTS				SHT. 2 OF 2 CADD STD. 630101-D4		<table border="1"> <tr> <th>F.A.P. RTE.</th> <th>SECTION</th> <th>COUNTY</th> <th>TOTAL SHEETS</th> <th>SHEET NO.</th> </tr> <tr> <td>685/618</td> <td>36IRS-1/C-21</td> <td>MCDONOUGH</td> <td>52</td> <td>38</td> </tr> </table>		F.A.P. RTE.	SECTION	COUNTY	TOTAL SHEETS	SHEET NO.	685/618	36IRS-1/C-21	MCDONOUGH	52	38
F.A.P. RTE.	SECTION	COUNTY	TOTAL SHEETS	SHEET NO.																	
685/618	36IRS-1/C-21	MCDONOUGH	52	38																	
NOT TO SCALE								CONTRACT NO. 68406 ILLINOIS FED. AID PROJECT													