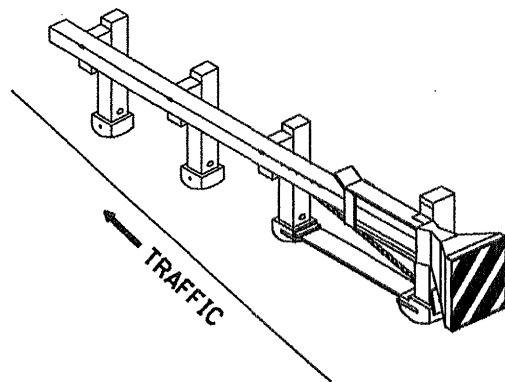
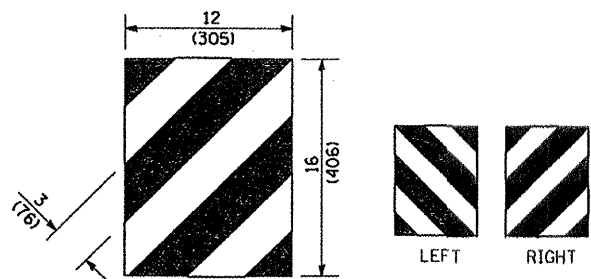


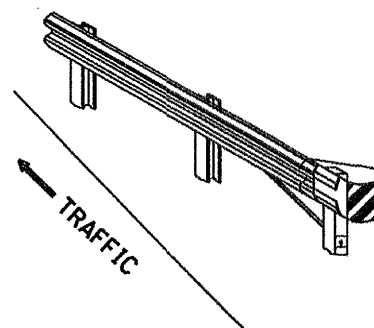
For Traffic Barrier Terminal Type 1 (Special)



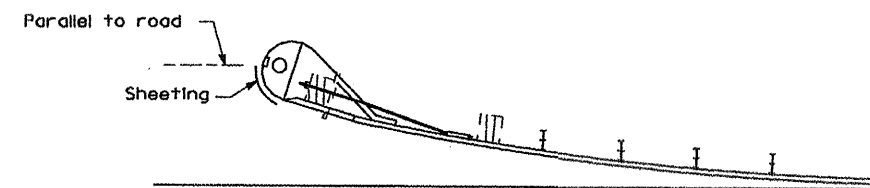
Standard Treatment - Direct Applied Sheeting  
Traffic Barrier Terminal Type 1 (Special)



For Traffic Barrier Terminal Type (\*)  
and Post Mount  
• See Plans for Type



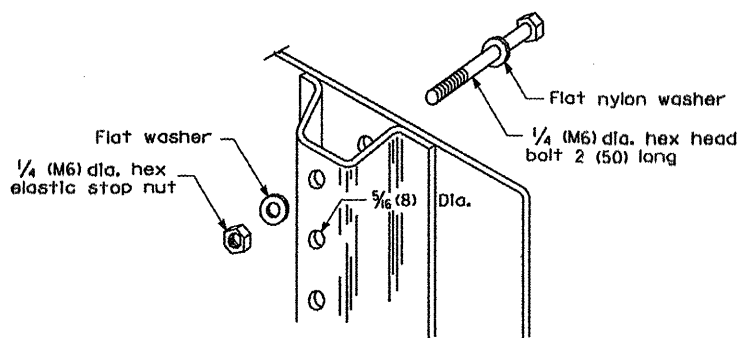
Standard Treatment - Direct Applied Sheeting  
Traffic Barrier Terminal Type (\*)  
• See Plans for Type



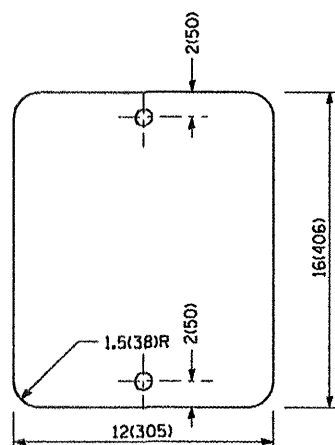
Sheeting Position for  
Traffic Barrier Terminal Type (\*)  
• See Plans for Type

**TERMINAL MARKER DETAILS**

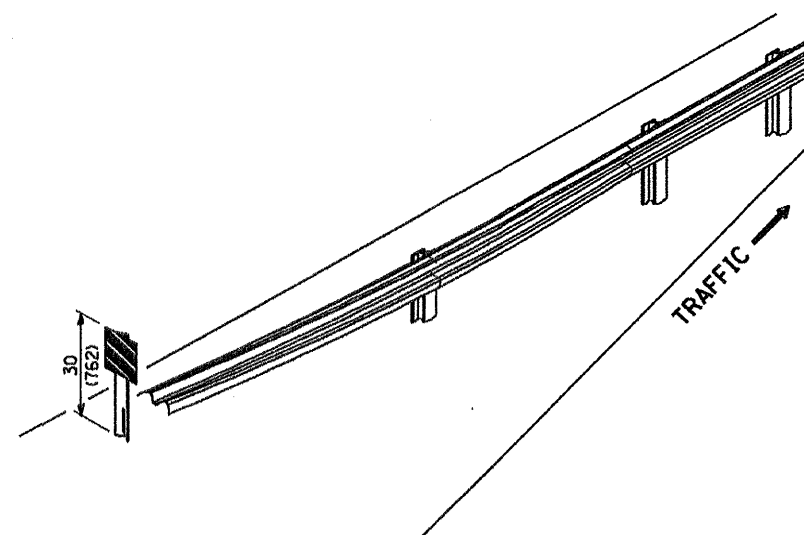
Color: Black / Yellow reflectorized  
OM - I100 (L or R) Direct applied reflective sheeting  
OM - I200 (L or R) Post mounted



DETAIL OF MOUNTING TERMINAL MARKER TO POST



STANDARD TERMINAL MARKER



ALTERNATE TREATMENT - POST MOUNTED  
(For turned-down terminal where sheeting cannot be direct applied)

**POST MOUNTED TERMINAL MARKER ASSEMBLY**

**TERMINAL MARKER TREATMENTS**

**GENERAL NOTES**

All dimensions are in Inches (millimeters) unless otherwise noted.

		<b>STATE OF ILLINOIS DEPARTMENT OF TRANSPORTATION</b>		<b>GUARDRAIL AND BARRIER WALL DELINEATION</b>		SHT. 2 OF 3 CADD STD. 635101-D4		NOT TO SCALE	
F.A.P. RTE.	SECTION	COUNTY	TOTAL SHEETS	SHEET NO.					
685/618	36(RS-1)C-21	MCDONOUGH	52	40					
					CONTRACT NO. 68406 ILLINOIS FED. AID PROJECT				