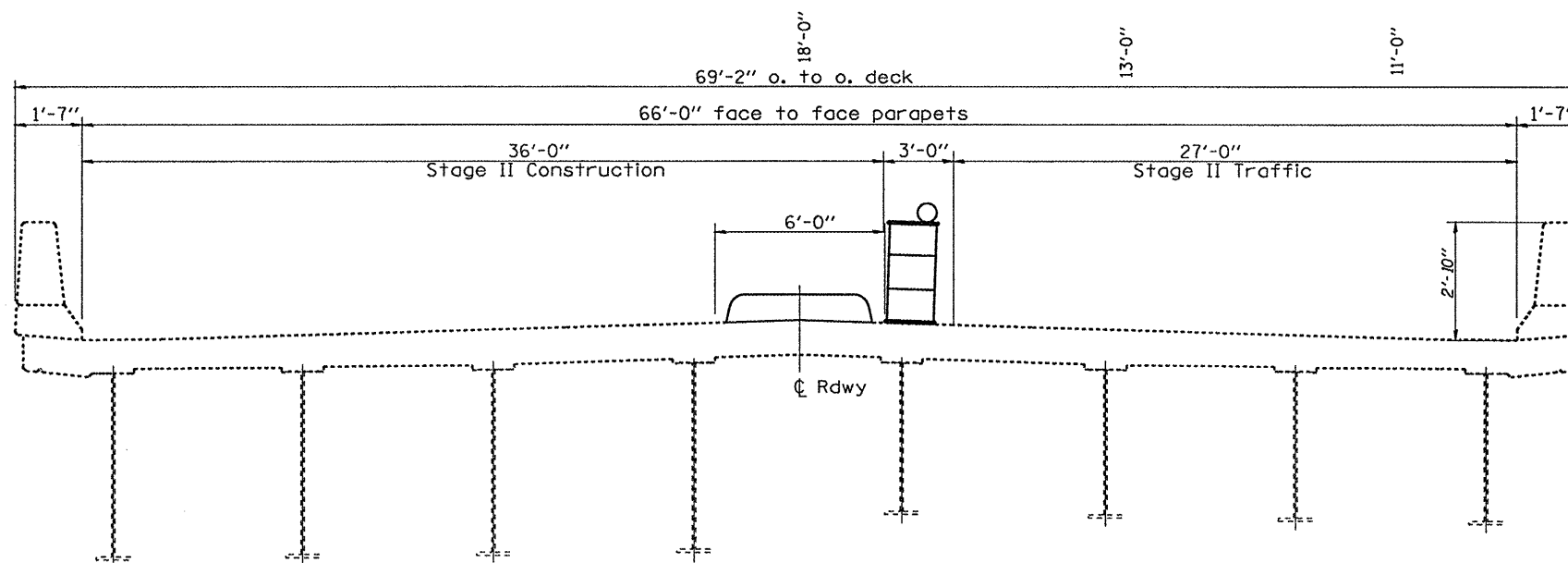


PLAN



CROSS SECTION
(Looking East)

LEGEND

- Work Area
- Barricade or Drum w/steady burn monodirectional light
- Temporary Striping
- Temporary Traffic
- Type II Barricade w/Flashing Light

NOTES

Refer to Traffic Control and Protection Special for required traffic management devices and other clarifications. Proposed construction staging sequence shall be at the discretion of the Engineer. Reflectorized temporary pavement marking tape shall be included to create temporary traffic lane shift during median repair. Barricades or Drums shall be pulled back toward median at end of workday and remain until work begins in order to lighten traffic load on shoulders as much as possible.

SN.062-0050
IL.17 over I-39

FILE NAME =	USER NAME = *USER*	DESIGNED - CEJ	REVISED - ---
*FILE#68729 SN062-0050 IL.17ovr 1-39		DRAWN - CEJ	REVISED - ---
PLOT SCALE = *SCALE*		CHECKED - ---	REVISED - ---
PLOT DATE = *DATE*		DATE - 01/26/2009	REVISED - ---

STATE OF ILLINOIS
DEPARTMENT OF TRANSPORTATION

PROPOSED TRAFFIC CONTROL

F.A.P. RTE.	SECTION	COUNTY	TOTAL SHEETS	SHEET NO.
412	(62-2HB-2)I	MARSHALL	9	7
CONTRACT NO. 68729			FED. ROAD DIST. NO. 4 (ILLINOIS) FED. AID PROJECT	

SCALE: _____ SHEET NO. ___ OF ___ SHEETS STA. _____ TO STA. _____