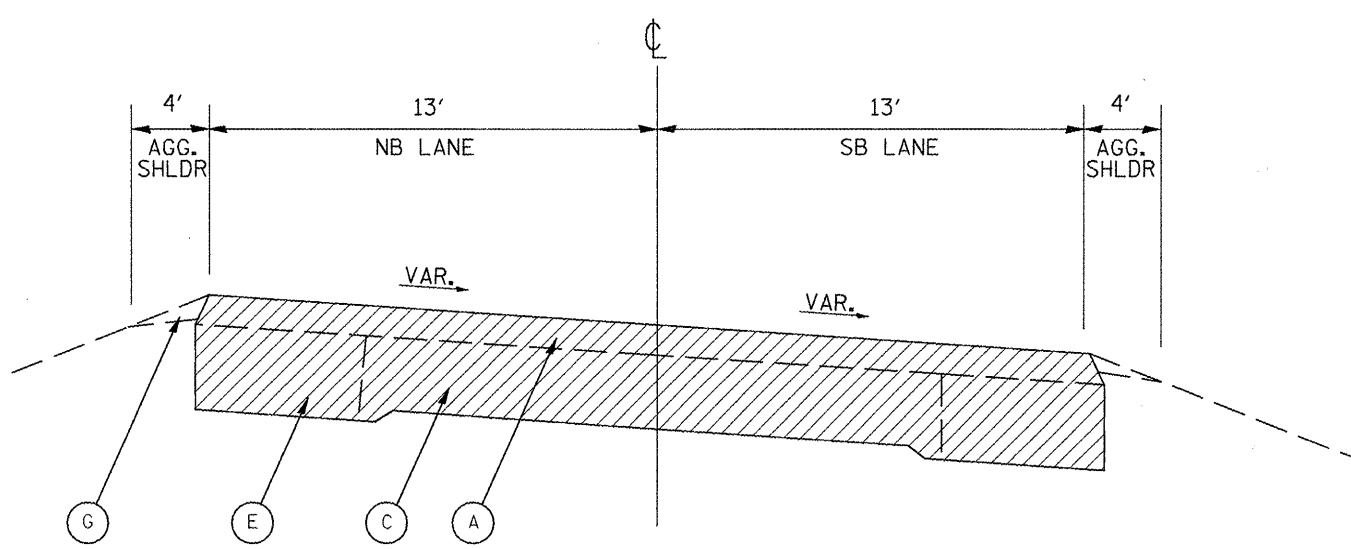


TYPICAL SECTION 1

IL 94/116 - EAST WYE  
 STA. 1+69.40 TO STA. 8+00.00



TYPICAL SECTION 2

IL 94/116 - WEST WYE  
 STA. 3+97.41 TO STA. 8+00.00

LEGEND - PROPOSED

- ① HMA SURFACE REMOVAL - BUTT JOINT
- ② HMA SURFACE REMOVAL, 2"
- ③ POLYMERIZED HMA SURFACE CSE, MIX "D", N70 - 2"
- ④ POLYMERIZED HMA SURFACE CSE, MIX "D", N70 - 1 1/2"
- ⑤ POLYMERIZED HMA BINDER CSE, IL-19.0, N70 - 2 1/4"
- ⑥ POLYMERIZED LEVELING BINDER (MM), IL-4.75, N50 - 3/4"
- ⑦ HMA BASE CSE - 9"
- ⑧ HMA BASE CSE/BASE CSE WIDENING - 9 1/2"
- ⑨ SUB-BASE GRAN. MAT, TYPE A - VAR. 12"-17 1/4"
- ⑩ SUB-BASE GRAN. MAT. TYPE C - 4"
- ⑪ HMA SHOULDERS - 8"
- ⑫ HMA SHOULDERS - 10"
- ⑬ AGGREGATE SHOULDERS, TYPE B - 8"
- ⑭ BIT. CONCRETE SHOULDER REMOVAL
- ⑮ TOPSOIL FURNISH AND PLACE - 4"
- ⑯ STRIP REFLECTIVE CRACK CONTROL TREATMENT

LEGEND - EXISTING

- Ⓐ HMA OVERLAY - 5 1/2"
- Ⓑ HMA OVERLAY - 2"
- Ⓒ P.C.C. PAVEMENT (9-6-9)
- Ⓓ P.C.C. BASE CSE - 9"
- Ⓔ HMA BASE CSE/BASE WIDENING
- Ⓕ HMA SHOULDERS - 8"
- Ⓖ AGGREGATE SHOULDERS

REMOVAL ITEMS

FILE NAME = sht01.dgn	USER NAME = johnsontv	DESIGNED -	REVISED -	<b>STATE OF ILLINOIS DEPARTMENT OF TRANSPORTATION</b>	<b>IL 94 /116 TYPICAL SECTIONS</b>			F.A.P. RTE.	SECTION	COUNTY	TOTAL SHEETS	SHEET NO.
	PLOT SCALE = 100.0000' / IN.	DRAWN -	REVISED -		NOT TO SCALE	SHEET NO. 1 OF 6 SHEETS	STA. 3+11 TO STA. 10+00	313/534	6R-12109EX1R	HENDERSON	81	10
	PLDT DATE = 3/19/2009	CHECKED -	REVISED -					<b>CONTRACT NO. 68818</b>				
		DATE -	REVISED -					ILLINOIS FED. AID PROJECT				