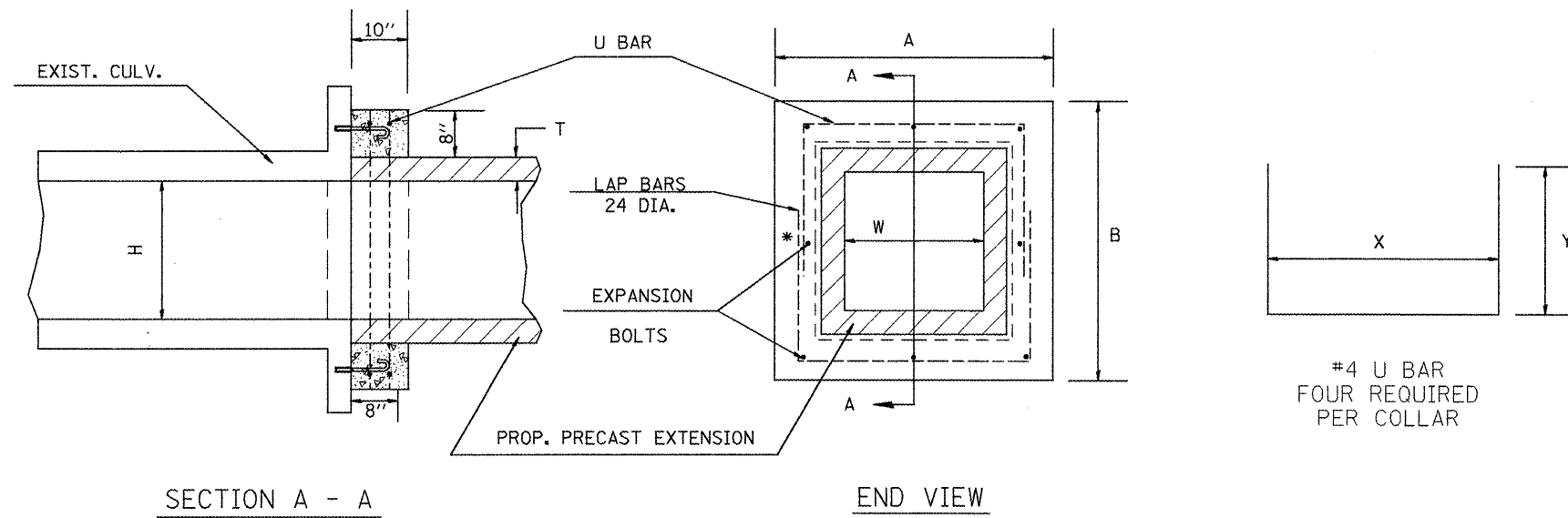


• MINIMUM 1' LAP ON U BARS



DIMENSIONS

STATION	EXISTING BOX		A	B	T*	EACH COLLAR				
	W	H				CL SI	REINFORCEMENT BARS		EXPANSION BOLTS	
						CU YD	X	Y	POUNDS	NO.
7+53.00 (IL 94/116)	2'	2'	4'-0"	4'-0"	4"	0.27	3'-4"	2'-2"	20	8
762+27.93 (US 34)	3'	3'	5'-0"	5'-0"	4"	0.36	4'-4"	2'-8"	26	8

GENERAL NOTES

1. THE COLLAR SHALL BE CONSTRUCTED ENTIRELY OF CLASS SI CONCRETE AND IN ACCORDANCE WITH THE APPLICABLE PORTIONS OF SECTION 503 OF THE STANDARD SPECIFICATIONS. REINFORCEMENT BARS SHALL CONFORM TO SECTION 508.

2. EXPANSION BOLTS SHALL CONSIST OF APPROVED EXPANSION ANCHORS AND 3 HOOK BOLTS WHICH CONFORM TO SECTION 1006.09. THESE BOLTS SHALL EXTEND AT LEAST 8" INTO THE NEW CONCRETE.

* DIMENSIONS FOR ASTM C789.