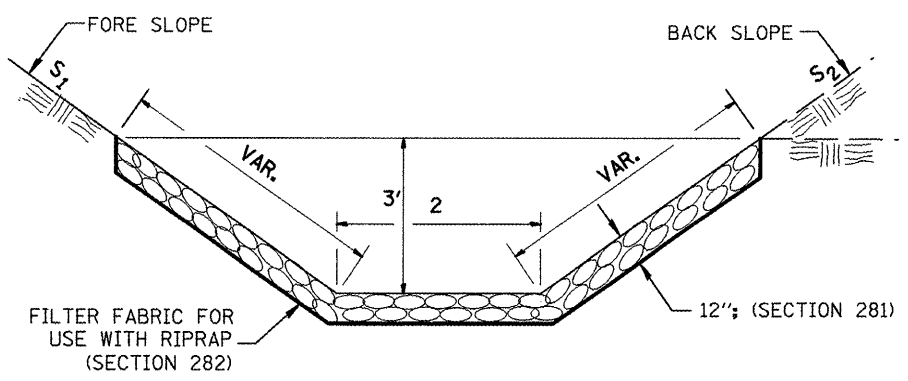
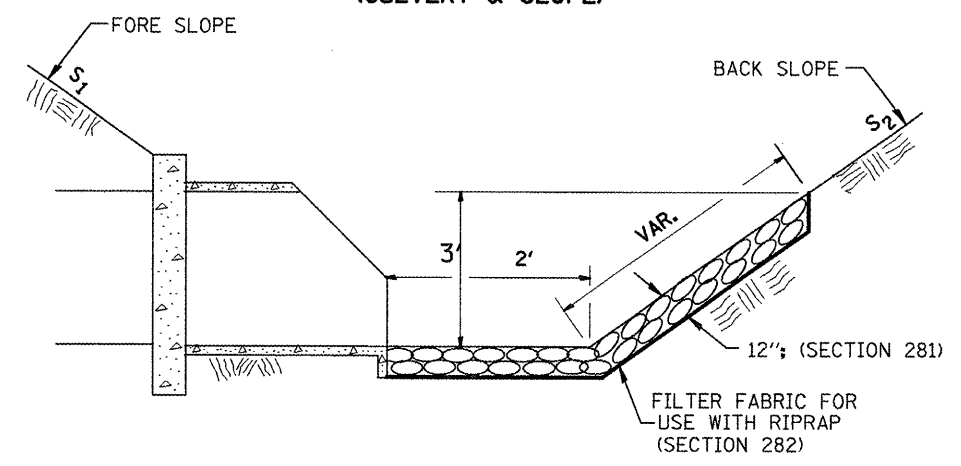


**CASE 1
(DITCH)**



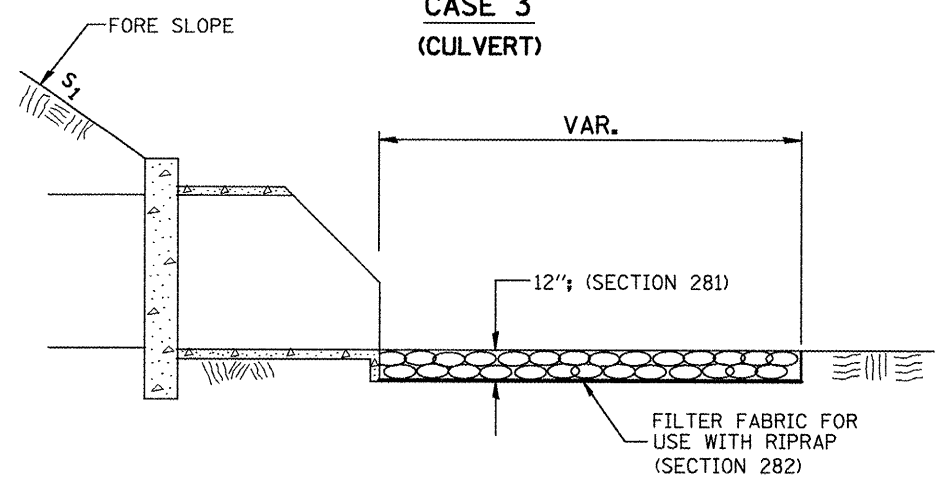
LT. STA. 761+50.00 TO STA. 762+15.82
 LT. STA. 762+25.82 TO STA. 763+00.00
 LT. STA. 767+50.00 TO STA. 768+10.90
 LT. STA. 768+20.90 TO STA. 769+00.00

**CASE 2
(CULVERT & SLOPE)**



LT. STA. 762+20.82
 LT. STA. 768+15.90

**CASE 3
(CULVERT)**



LT. STA. 7+53.00

ALL SLOPE RATIOS ARE EXPRESSED AS
 UNITS OF VERTICAL DISPLACEMENT TO
 UNITS OF HORIZONTAL DISPLACEMENT (V:H).
 ALL DIMENSIONS ARE IN INCHES (MILLIMETERS)
 UNLESS OTHERWISE NOTED.

FILE NAME = sh101.dgn	USER NAME = johnsonv	DESIGNED -	REVISED -	STATE OF ILLINOIS DEPARTMENT OF TRANSPORTATION	RIPRAP DITCH FOR EROSION PROTECTION	F.A.P. RTE. 313/534	SECTION 6R-1; (109EX) R	COUNTY HENDERSON	TOTAL SHEETS 81	SHEET NO. 49
PLOT SCALE = 100.0000' / IN.	CHECKED -	REVISED -	NOT TO SCALE			CADD STD. 281001-D4	ILLINOIS FED. AID PROJECT			
PLOT DATE = 3/19/2009	DATE -	REVISED -								
CONTRACT NO. 68818										