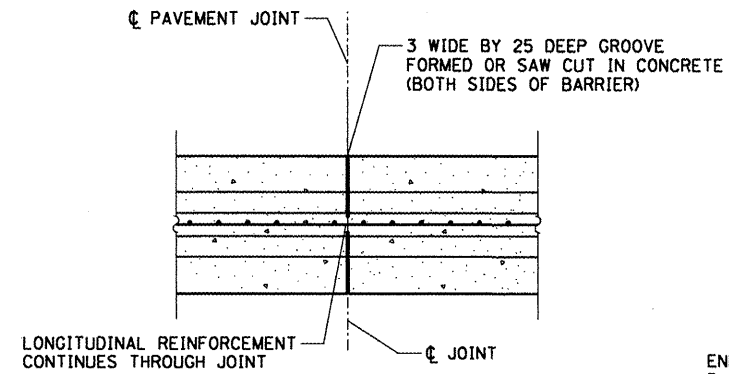
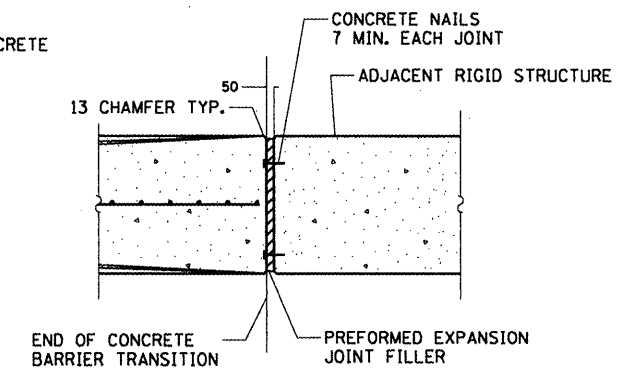


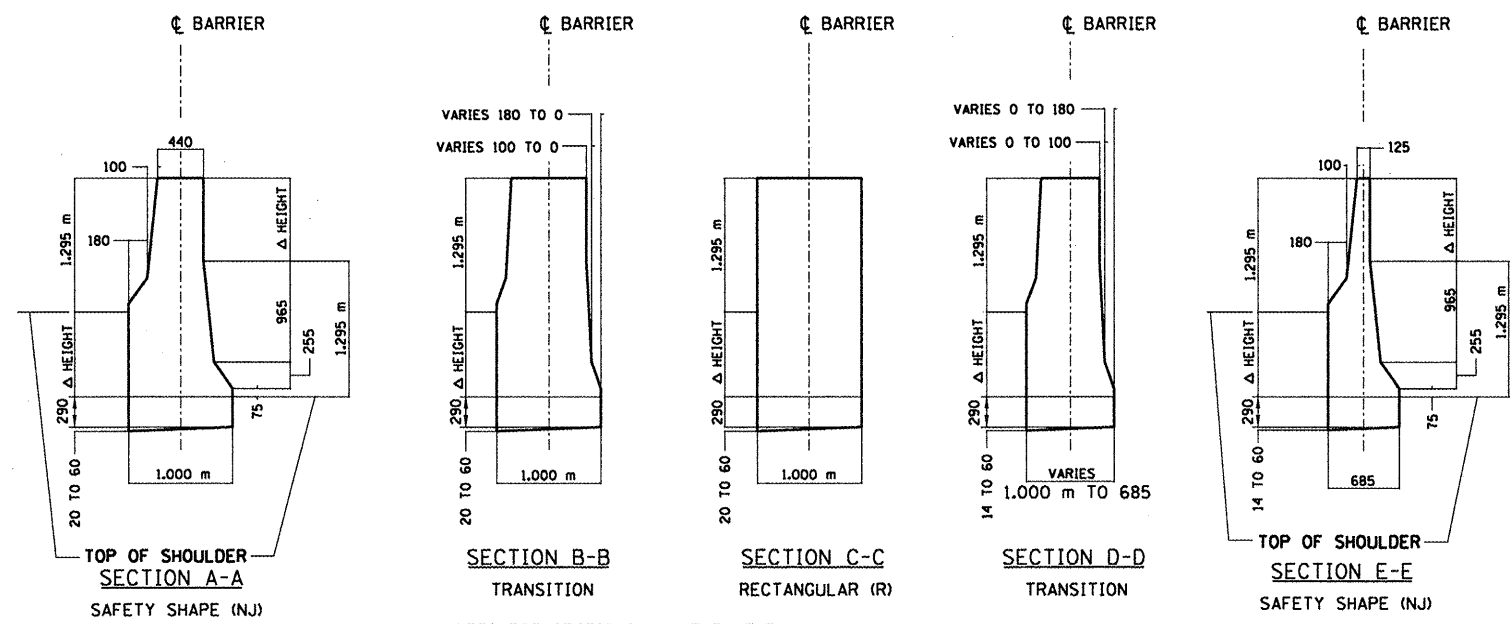
PLAN VIEW OF DIFFERENTIAL HEIGHT BARRIER AND TRANSITIONS



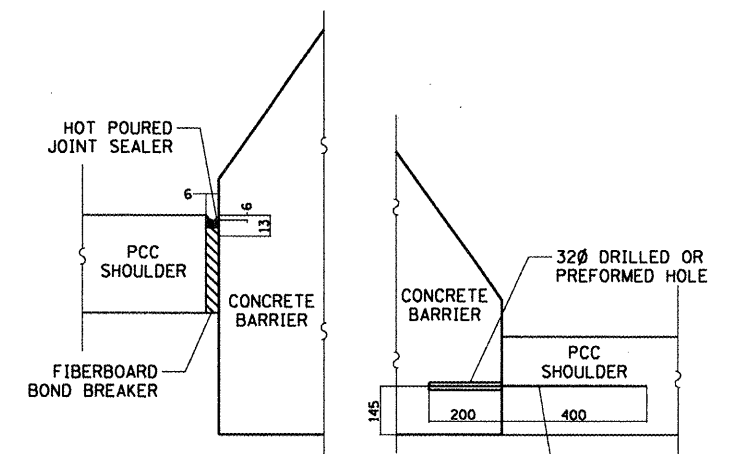
CONTRACTION JOINT DETAIL



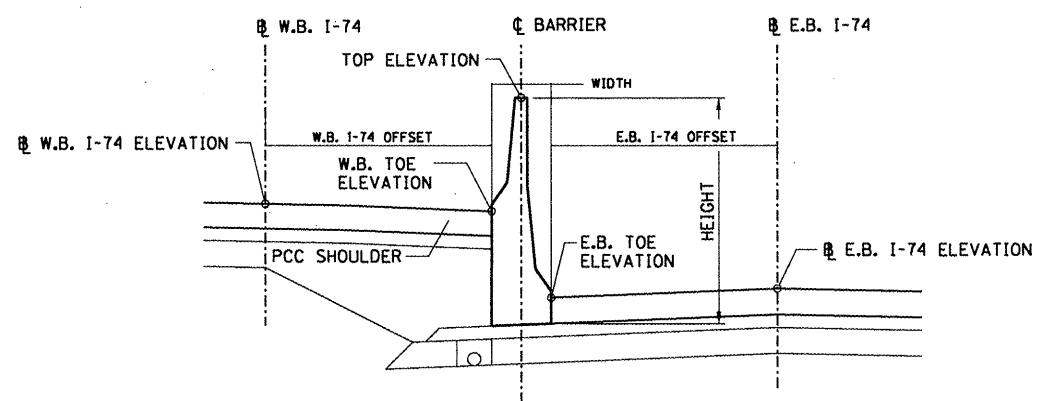
EXPANSION JOINT DETAIL



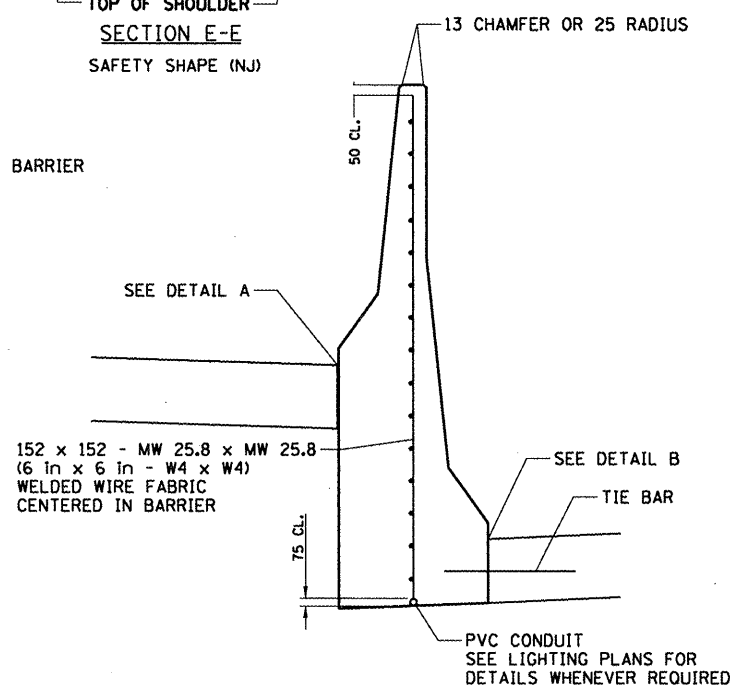
NOTES FOR SECTIONS A-A THRU E-E:
 1) 1.295 m SAFETY SHAPE HAS SAME DIMENSIONS ON BOTH SIDES OF BARRIER
 2) HIGHER SHOULDER MAY BE ON LEFT OR RIGHT SIDE OF BARRIER
 3) Δ HEIGHT VARIES FROM 0 TO 855 "EB" OR "WB" INDICATES LOWER SIDE OF BARRIER



- NOTES:
- 1) SEE DIFFERENTIAL HEIGHT MEDIAN BARRIER PLAN SHEETS FOR LAYOUT DATA
 - 2) CONTRACTION JOINTS IN ADJACENT SHOULDER SHALL BE ALIGNED WITH JOINTS IN BARRIER
 - 3) EXISTING HORIZONTAL REINFORCEMENT SHALL BE OVERLAPPED WITH NEW FOR A MINIMUM OF 13". SEE SPECIAL PROVISIONS FOR "CONCRETE BARRIER".
 - 4) REINFORCEMENT SHALL BE SEATED IN THE FINAL POSITION PRIOR TO CONCRETE PLACEMENT.
 - 5) ALL CONSTRUCTION JOINTS SHALL BE BONDED.



TYPICAL SECTION FOR LAYOUT



SECTION THRU BARRIER

ALL DIMENSIONS IN MILLIMETERS UNLESS SHOWN OTHERWISE

FILE NAME = 68876 I-74 wall.dgn	USER NAME = jonesce	DESIGNED - CEJ	REVISED -
		DRAWN - CEJ	REVISED -
	PLOT SCALE = 103.7051' / IN.	CHECKED -	REVISED -
	PLOT DATE = 3/4/2009	DATE - 02/27/2009	REVISED -

STATE OF ILLINOIS
 DEPARTMENT OF TRANSPORTATION

DIFFERENTIAL HEIGHT MEDIAN BARRIER DETAIL
 SCALE: SHEET NO. OF SHEETS STA. TO STA.

F.A.I. RTE.	SECTION	COUNTY	TOTAL SHEETS	SHEET NO.
74	7217.8,9,9-1R-2	PEORIA	9	4
D4 CONC. MEDIAN REPAIR 2009			CONTRACT NO. 68876	
FED. ROAD DIST. NO. 4 ILLINOIS FED. AID PROJECT				