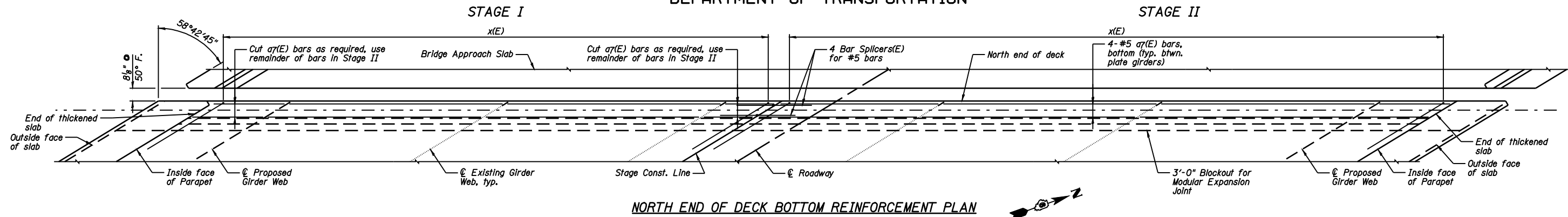
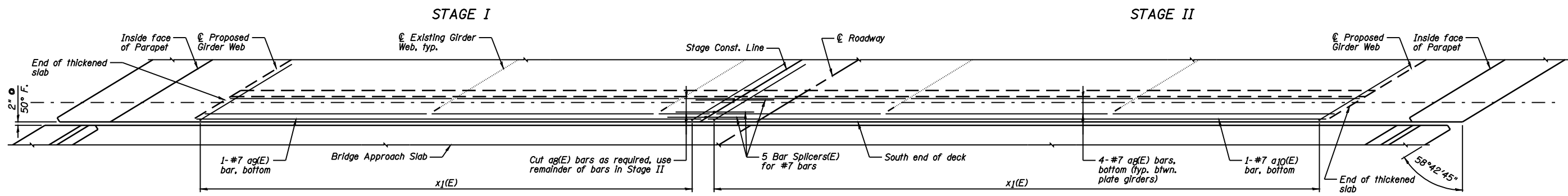


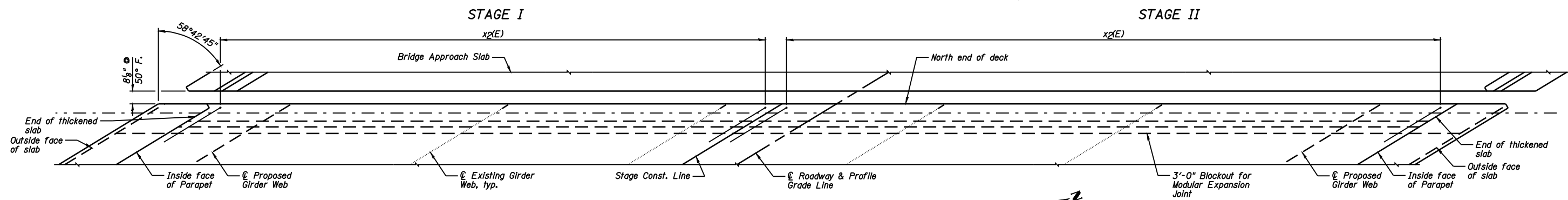
STATE OF ILLINOIS  
DEPARTMENT OF TRANSPORTATION



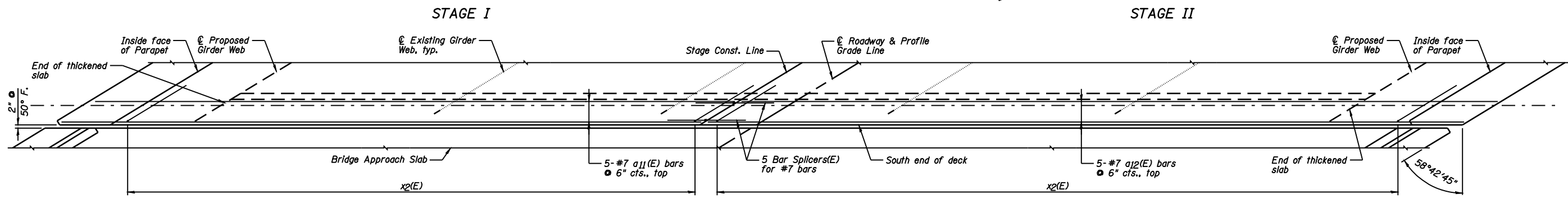
NORTH END OF DECK BOTTOM REINFORCEMENT PLAN



SOUTH END OF DECK BOTTOM REINFORCEMENT PLAN



NORTH END OF DECK TOP REINFORCEMENT PLAN



SOUTH END OF DECK TOP REINFORCEMENT PLAN

DESIGNED	JML
CHECKED	MSW
DRAWN	DJM
CHECKED	MGO/MSW

DATE 03/05/09

FARNSWORTH GROUP, INC.

NOTE:

- 1.) See Sheets B11 & B12 for complete Deck Plan.
- 2.) See Sheet B14 for Deck Cross Section.
- 3.) See Sheet B16 for Superstructure Details and Bill of Material.
- 4.) See Sheet B15 for Section Thru Structure At Abutments.
- 5.) See Sheet B44 for Bar Splicer Details.

SHEET NO. B13 44 SHEETS	F.A.I. RTE.	SECTION	COUNTY	TOTAL SHEETS	SHEET NO.
	55	(84-3HB-6)BR	SANGAMON	90	47
SN 084-0028			CONTRACT NO. 72A64		
FED. ROAD DIST. NO. 6 ILLINOIS FED. AID PROJECT					

**SUPERSTRUCTURE DECK  
STRUCTURE NO. 084-0028**