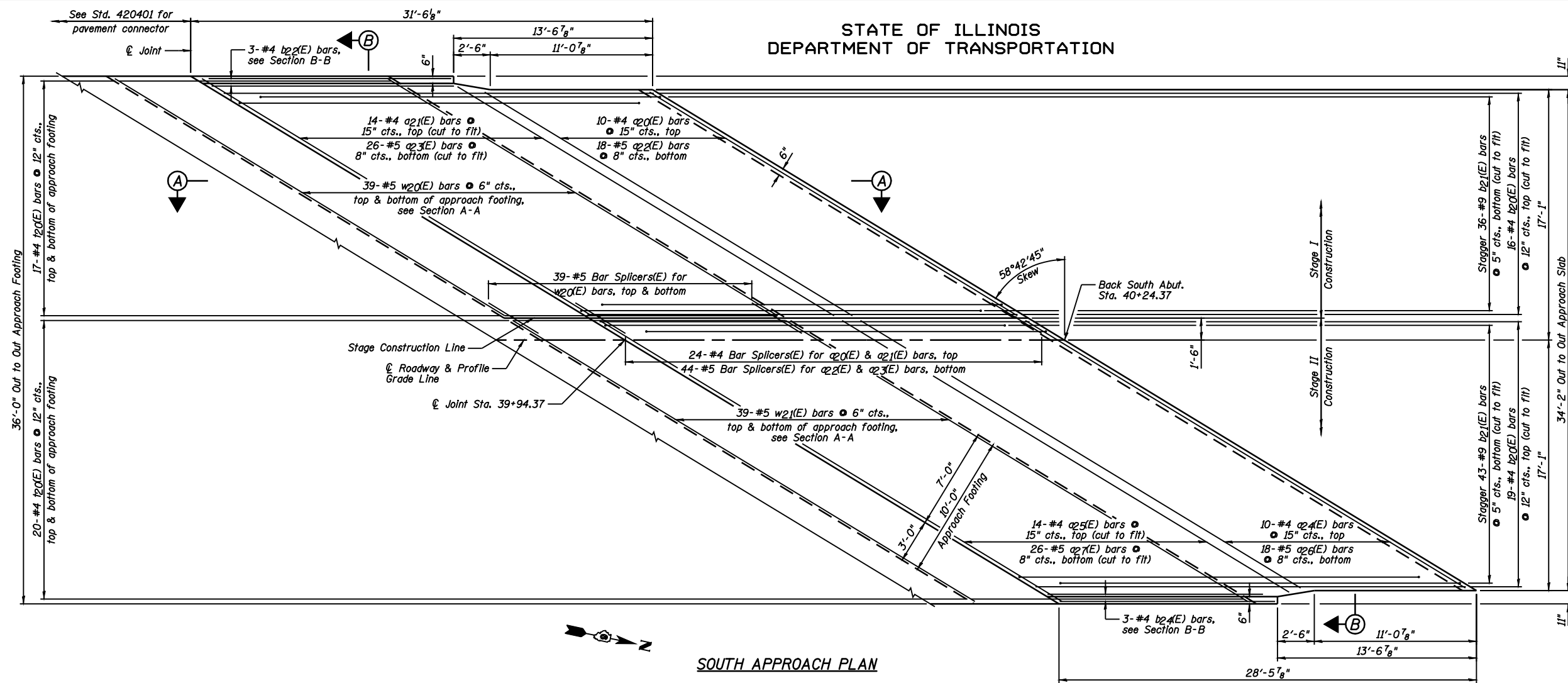


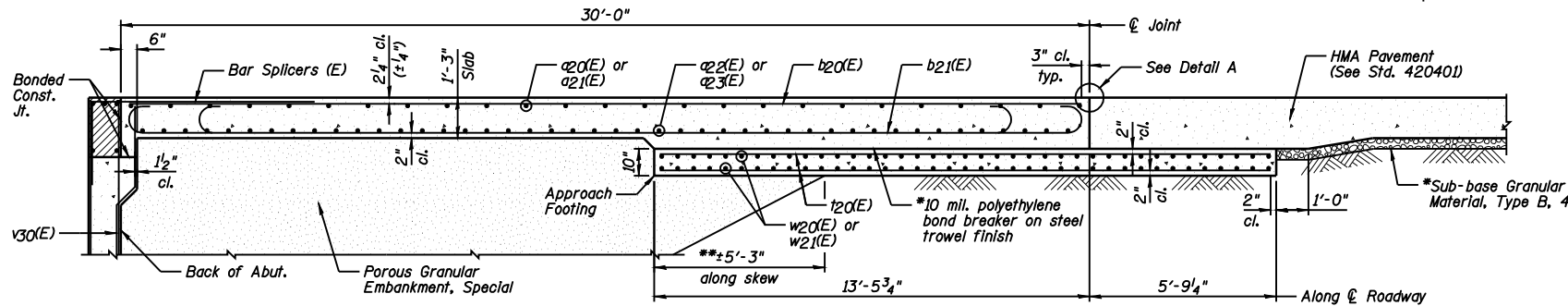
STATE OF ILLINOIS
DEPARTMENT OF TRANSPORTATION



SOUTH APPROACH PLAN

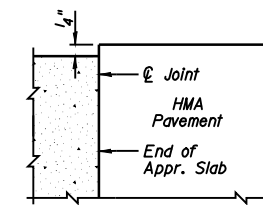
SOUTH APPROACH SLAB
BILL OF MATERIAL

Bar	No.	Size	Length	Shape	
a20(E)	10	#4	29'-4"		
a21(E)	14	#4	31'-5"		
a22(E)	18	#5	29'-4"		
a23(E)	26	#5	31'-1"		
a24(E)	10	#4	35'-2"		
a25(E)	14	#4	37'-3"		
a26(E)	18	#5	35'-2"		
a27(E)	26	#5	36'-11"		
b20(E)	35	#4	30'-10"		
b21(E)	79	#9	29'-9"		
b22(E)	3	#4	17'-7"		
b24(E)	3	#4	14'-7"		
t20(E)	74	#4	18'-7"		
w20(E)	78	#5	31'-1"		
w21(E)	78	#5	36'-11"		
Item				Unit	Quantity
Concrete Superstructure				Cu. Yd.	59.0
Concrete Structures				Cu. Yd.	21.4
Reinforcement Bars, Epoxy Coated				Pound	19,360



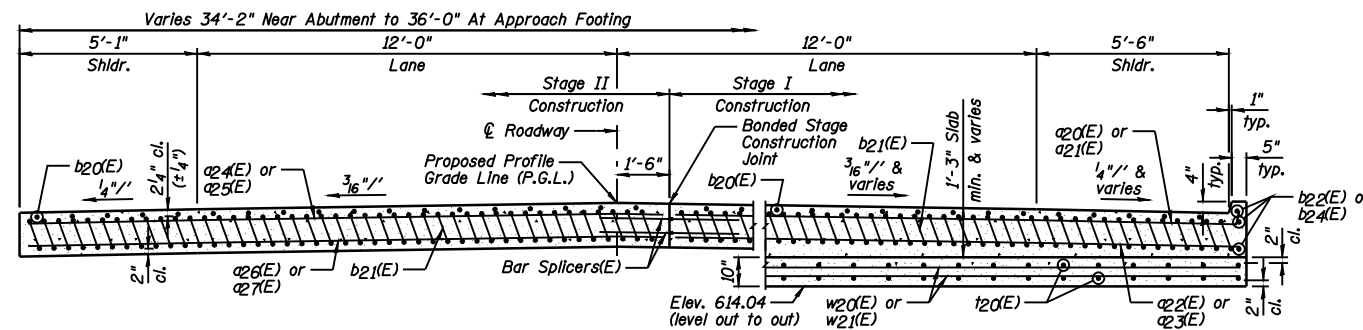
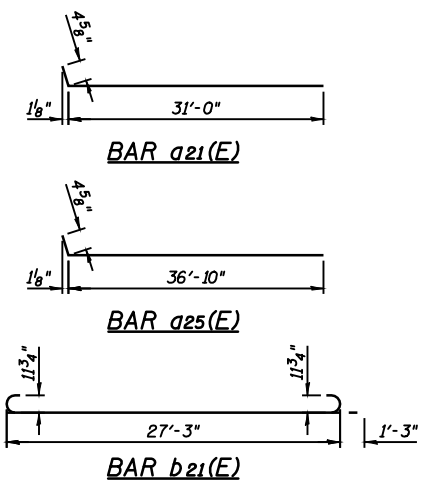
SECTION A-A

*Cost included with Concrete Superstructure.
**Compact Porous Granular Embankment, Special in this area.
Cost included with Porous Granular Embankment, Special.



FLEXIBLE PAVEMENT

DETAIL A



NEAR ABUTMENT

AT APPROACH FOOTING

SECTION B-B

NOTES:

- 1.) a20(E) thru a27(E), w20(E) and w21(E) bar spacings measured perpendicular to E Roadway.
- 2.) Till #9 b21(E) bars as required to maintain clearance.
- 3.) Approach Slab shall be paid for as Concrete Superstructure.
- 4.) Approach Footing concrete shall be paid for as Concrete Structures.
- 5.) Reinforcement shall be paid for as Reinforcement Bars, Epoxy Coated.
- 6.) For v30(E) bar details, see Sheet B35.
- 7.) The Approach Footing maximum applied service bearing pressure (Qmax) = 2.0 ksf.
- 8.) See Sheet B44 for Bar Splicer Details.
- 9.) Cost of excavation for Approach Footing Included with Concrete Structures.
- 10.) For Porous Granular Embankment, Special and drainage treatment details, see Sheet B2.
- 11.) Hatched area to be poured after superstructure false work has been removed.

SOUTH BRIDGE APPROACH
SLAB DETAILS
STRUCTURE NO. 084-0028

DESIGNED	JML
CHECKED	MSW
DRAWN	DJM
CHECKED	MGO/MSW

DATE 03/05/09

FARNSWORTH GROUP, INC.

CONSULTING ENGINEERS - 2709 MCGRAW DRIVE BLOOMINGTON, ILLINOIS 61704 (309) 663-8435 / (309) 663-1571 FAX

SHEET NO. B17	F.A.I. RTE.	SECTION	COUNTY	TOTAL SHEETS	SHEET NO.
	55	(84-3HB-6)BR	SANGAMON	90	51
44 SHEETS	SN 084-0028		CONTRACT NO. 72A64		
FED. ROAD DIST. NO. 6 ILLINOIS FED. AID PROJECT					