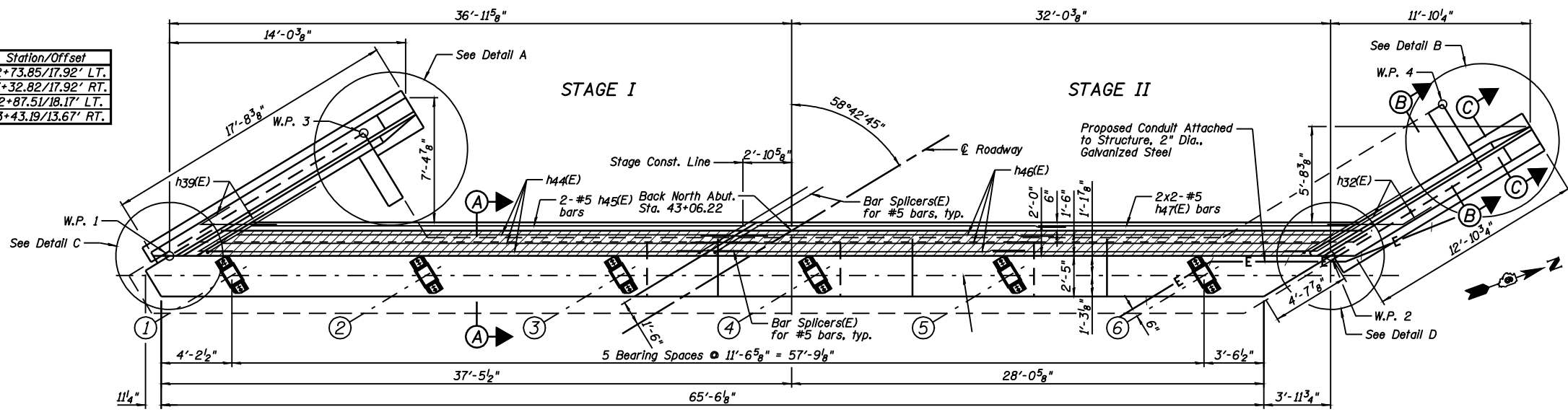
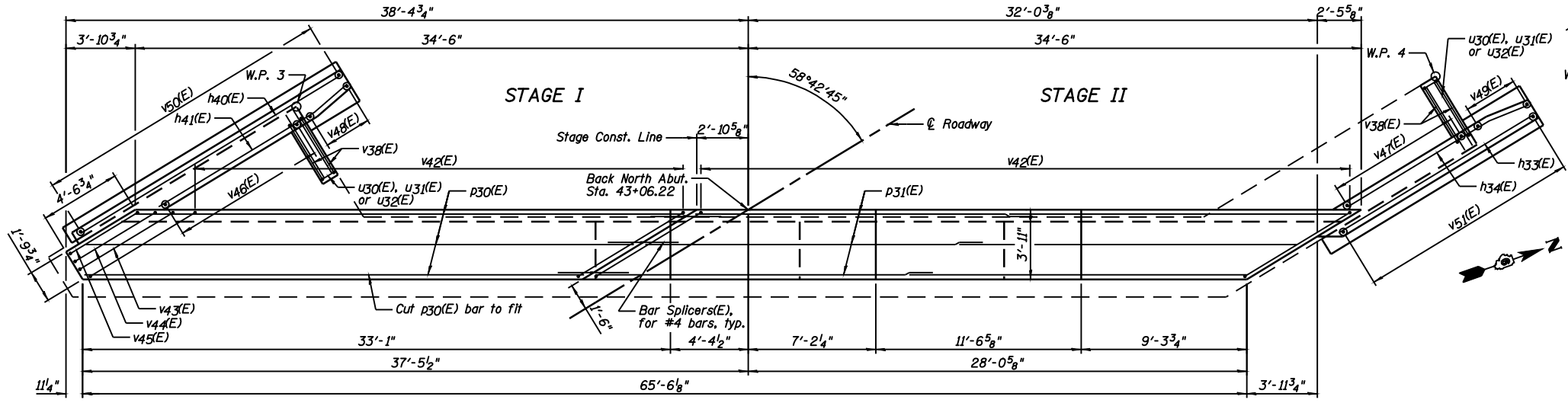


STATE OF ILLINOIS
DEPARTMENT OF TRANSPORTATION

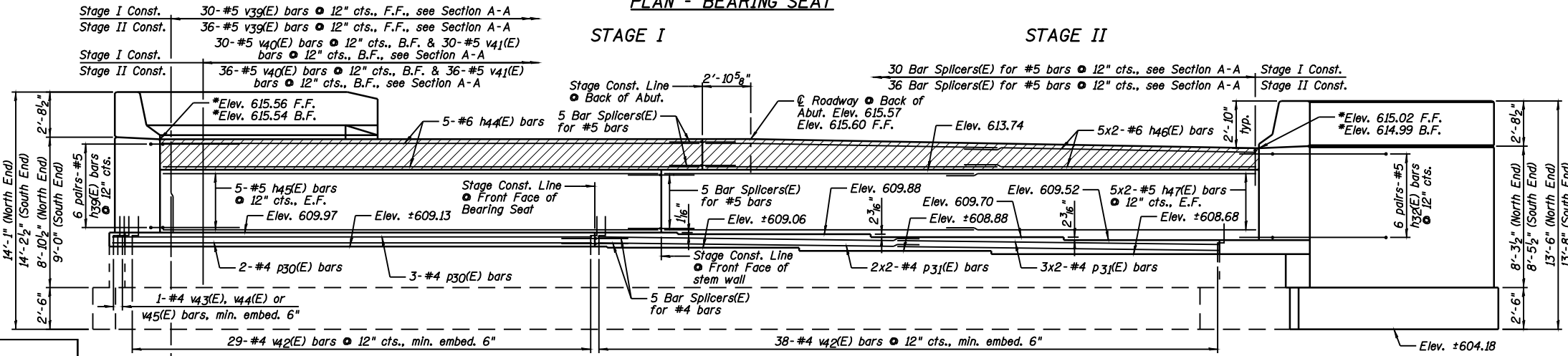
Location	Station/Offset
W.P. 1	42+73.85/17.92' LT.
W.P. 2	43+32.82/17.92' RT.
W.P. 3	42+87.51/18.17' LT.
W.P. 4	43+43.19/13.67' RT.



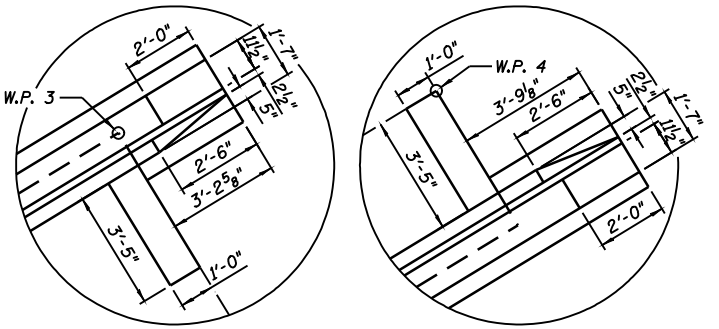
TOP VIEW



PLAN - BEARING SEAT

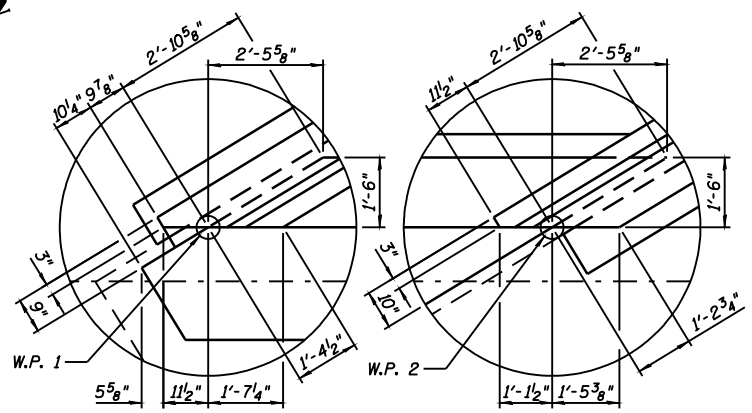


ELEVATION



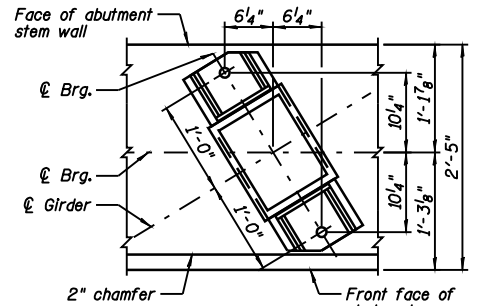
DETAIL A

DETAIL B



DETAIL C

DETAIL D



TYPICAL ANCHOR BOLT
PLACEMENT DETAIL

NOTES:

- See Sheet B39 for Section A-A and Sheet B38 for Section B-B & C-C.
- Hatched area to be poured after superstructure false work has been removed. Quantity included with Concrete Superstructure shown on Sheet B16.
- Drill & epoxy grout v32(E) & v42(E) bars in appropriate drilled holes according to Section 584 of the Standard Specifications. The type of epoxy grout shall be approved by the Engineer.
- See Sheet B39 for Bill of Material and Bar Cutting Diagram.
- Space reinforcement in cap to miss anchor bolts.
- F.F. denotes Front Face, B.F. denotes Back Face & E.F. denotes Each Face.
- See Sheet B44 for Bar Splice Details.
- Bar Splicers extending from the back wall into the approach slab shall be placed parallel to the approach slab reinforcement.

NORTH ABUTMENT
STRUCTURE NO. 084-0028

DESIGNED	JML
CHECKED	MSW
DRAWN	DJM
CHECKED	MGO/MSW

DATE 03/05/09

*Elevations are located at the front and back face of the hatched area.

BAR LAP
#4 - 1'-4"
#5 - 1'-8"
#6 - 2'-0"

SHEET NO. B37 44 SHEETS	F.A.I. RTE.	SECTION	COUNTY	TOTAL SHEETS	SHEET NO.
	55	(84-3HB-6)BR	SANGAMON	90	71
SN 084-0028			CONTRACT NO. 72A64		
FED. ROAD DIST. NO. 6 ILLINOIS FED. AID PROJECT					