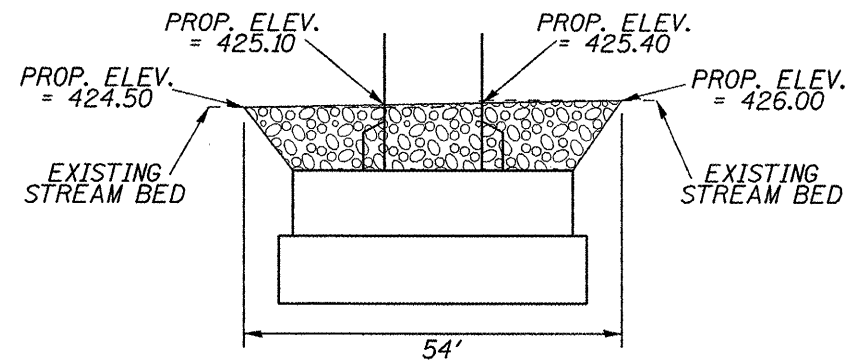
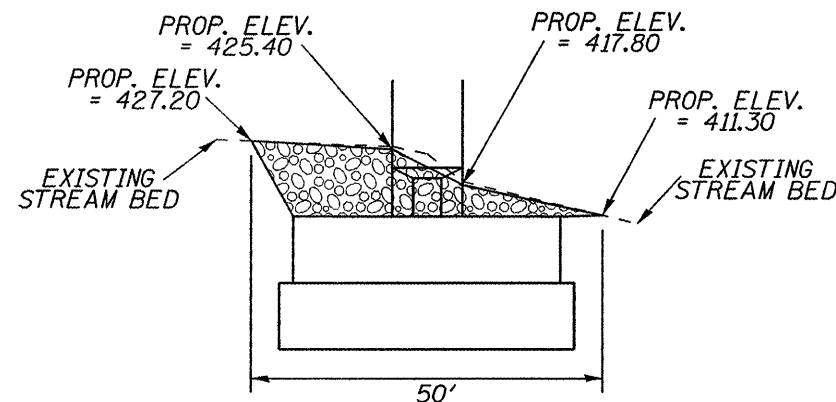


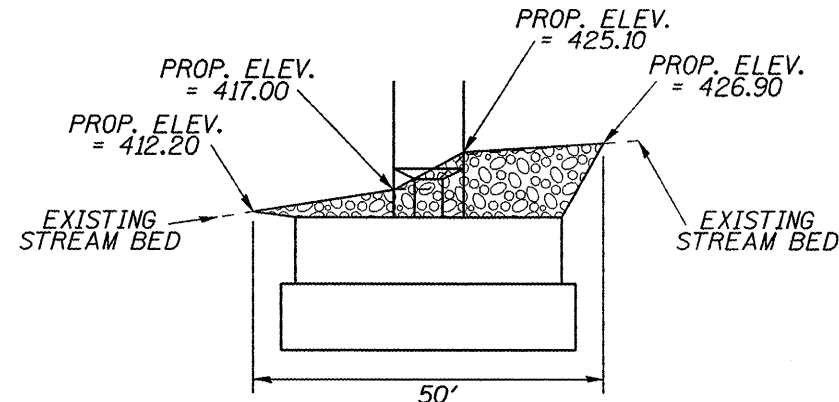
**WEST FACE OF PIER**



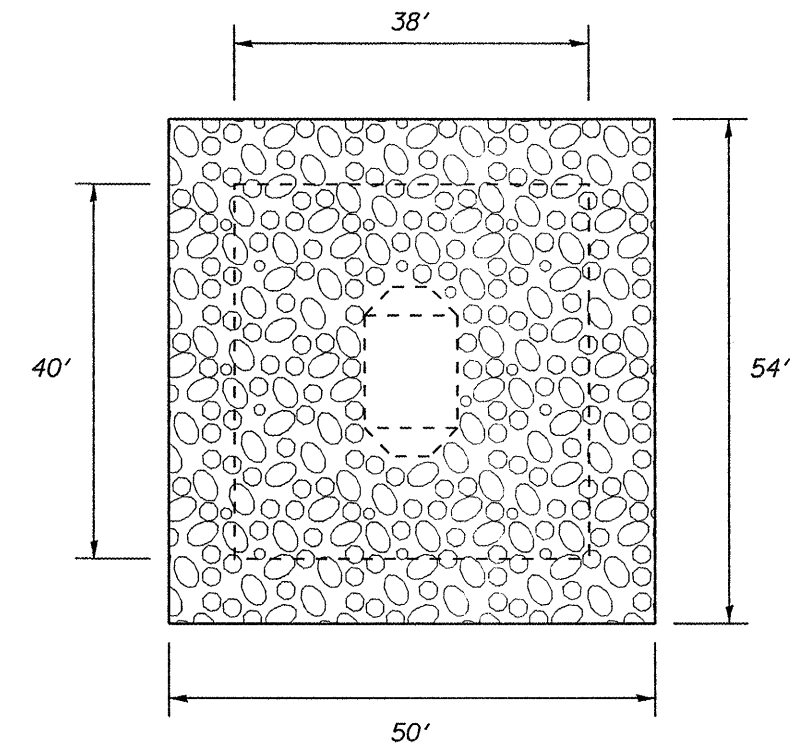
**EAST FACE OF PIER**



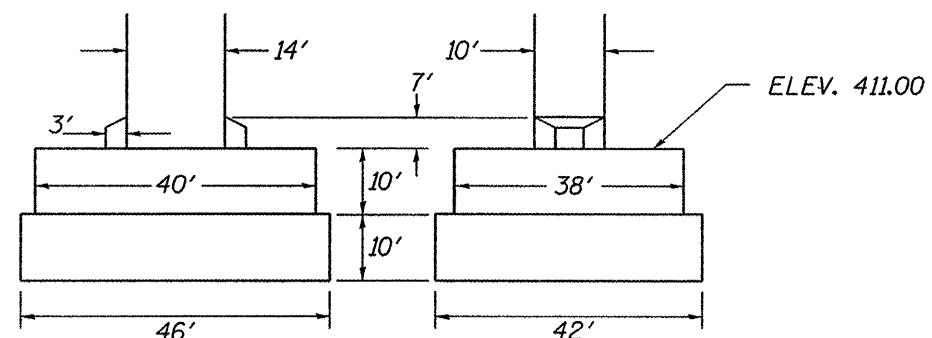
**NORTH FACE OF PIER**



**SOUTH FACE OF PIER**



**PLAN**



**FOOTING ELEVATION**

**END VIEW**

| BILL OF MATERIAL    |           |
|---------------------|-----------|
| STONE RIPRAP, CL A5 | 1400 TONS |

SN 075-0123 PIER 3  
FAI 72 (I-72)  
SECTION (75,86)-7BI-2  
PIKE COUNTY

|   |   |            |           |   |                           |                           |                |        |              |           |  |
|---|---|------------|-----------|---|---------------------------|---------------------------|----------------|--------|--------------|-----------|--|
| FILE NAME =   | USER NAME = [loughlinc]   | DESIGNED - | REVISED - | <b>STATE OF ILLINOIS<br/>DEPARTMENT OF TRANSPORTATION</b> | <b>SN 075-0123 PIER 3</b> | F.A.J. RTE.               | SECTION        | COUNTY | TOTAL SHEETS | SHEET NO. |  |
| c:\pwork\pwork\DOT\LAUGH\INRL\d0120984\0672C56-plensheet-02.24.09.dgn | PLOT SCALE = 2.0000 "/td> <td>DRAWN -</td> <td>REVISED -</td> <td>72</td> <td>(75, 86)-7BI-2</td> <td>PIKE</td> <td>7</td> <td>6</td> | DRAWN -    | REVISED - |   |                           | 72                        | (75, 86)-7BI-2 | PIKE   | 7            | 6         |  |
|   | PLOT DATE = Mar-17-2009 02:16:30PM  | CHECKED -  | REVISED - |   |                           | CONTRACT NO. 72C56        |                |        |              |           |  |
|   |   | DATE -     | REVISED - |   |                           | ILLINOIS FED. AID PROJECT |                |        |              |           |  |