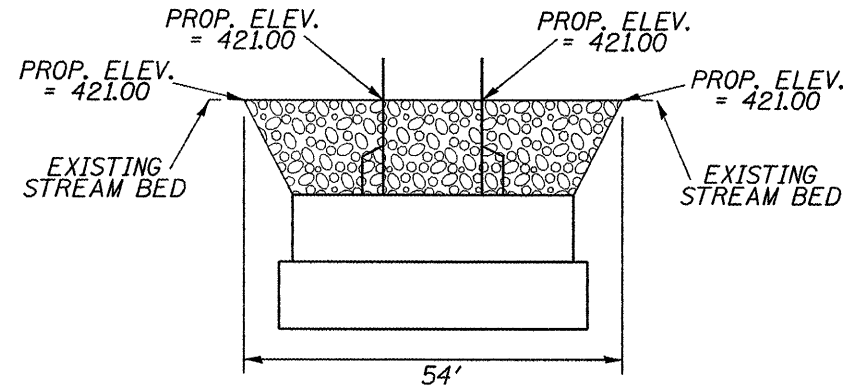
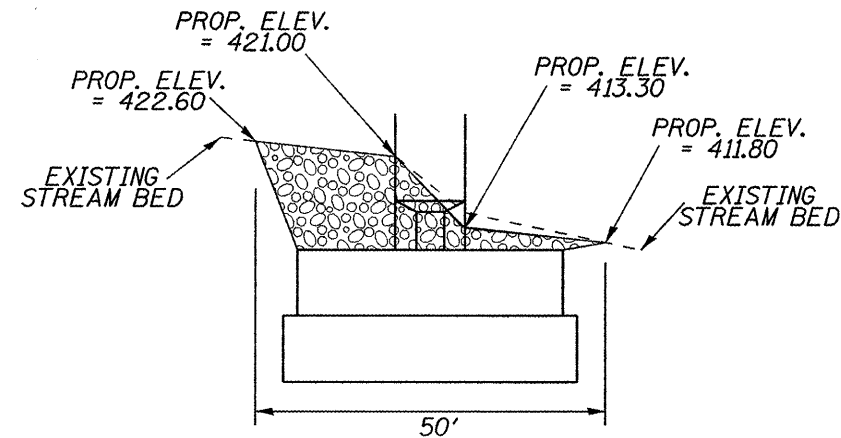


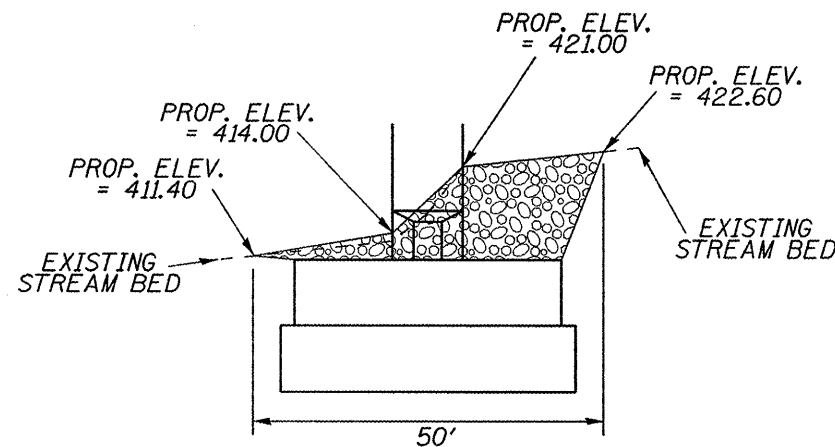
WEST FACE OF PIER



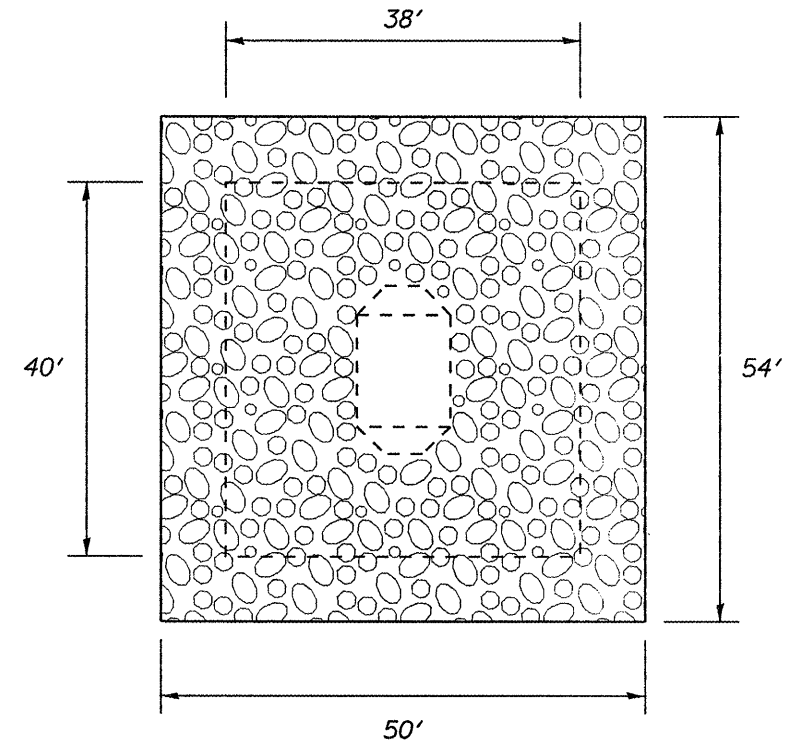
EAST FACE OF PIER



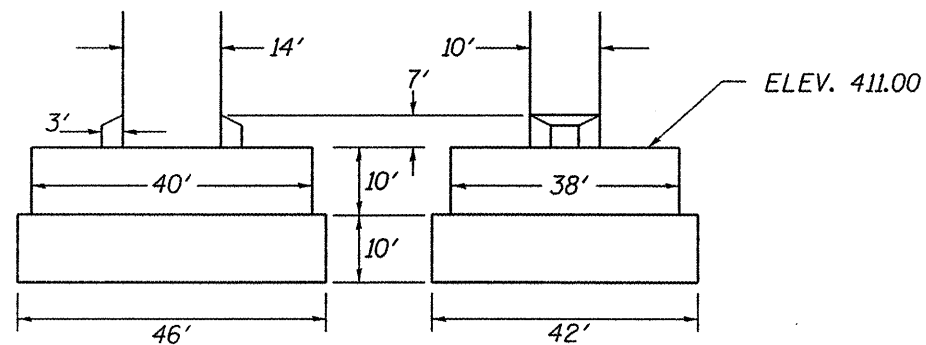
NORTH FACE OF PIER



SOUTH FACE OF PIER



PLAN



FOOTING ELEVATION

END VIEW

BILL OF MATERIAL	
STONE RIPRAP, CL A5	850 TONS

SN 075-0122 PIER 5
FAI 72 (I-72)
SECTION (75,86)-7BI-2
PIKE COUNTY

FILE NAME =	USER NAME = loughlinr1	DESIGNED -	REVISED -	STATE OF ILLINOIS DEPARTMENT OF TRANSPORTATION	SN 075-0122 PIER 5	F.A.I. RTE.	SECTION	COUNTY	TOTAL SHEETS	SHEET NO.	
ct:\pwork\PMIDOT\LAUHLINRL\0120984\0	72C56-piersheet-02.24.09.dgn	DRAWN -	REVISED -			72	(75, 86)-7BI-2	PIKE	7	7	
	PLOT SCALE = 2.0000 / IN.	CHECKED -	REVISED -			CONTRACT NO. 72C56					
	PLOT DATE = Mar-17-2009 02:16:33PM	DATE -	REVISED -			ILLINOIS FED. AID PROJECT					
					SCALE:	SHEET NO. OF SHEETS STA.		TO STA.			